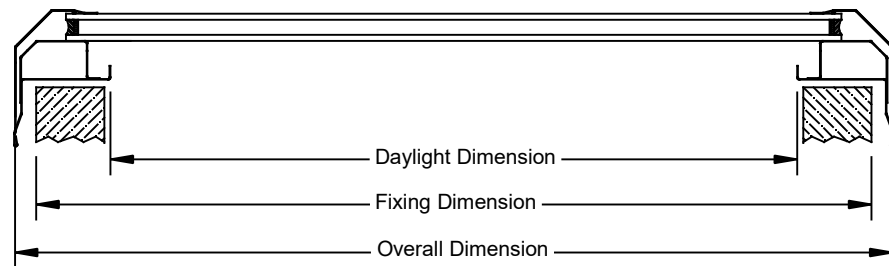
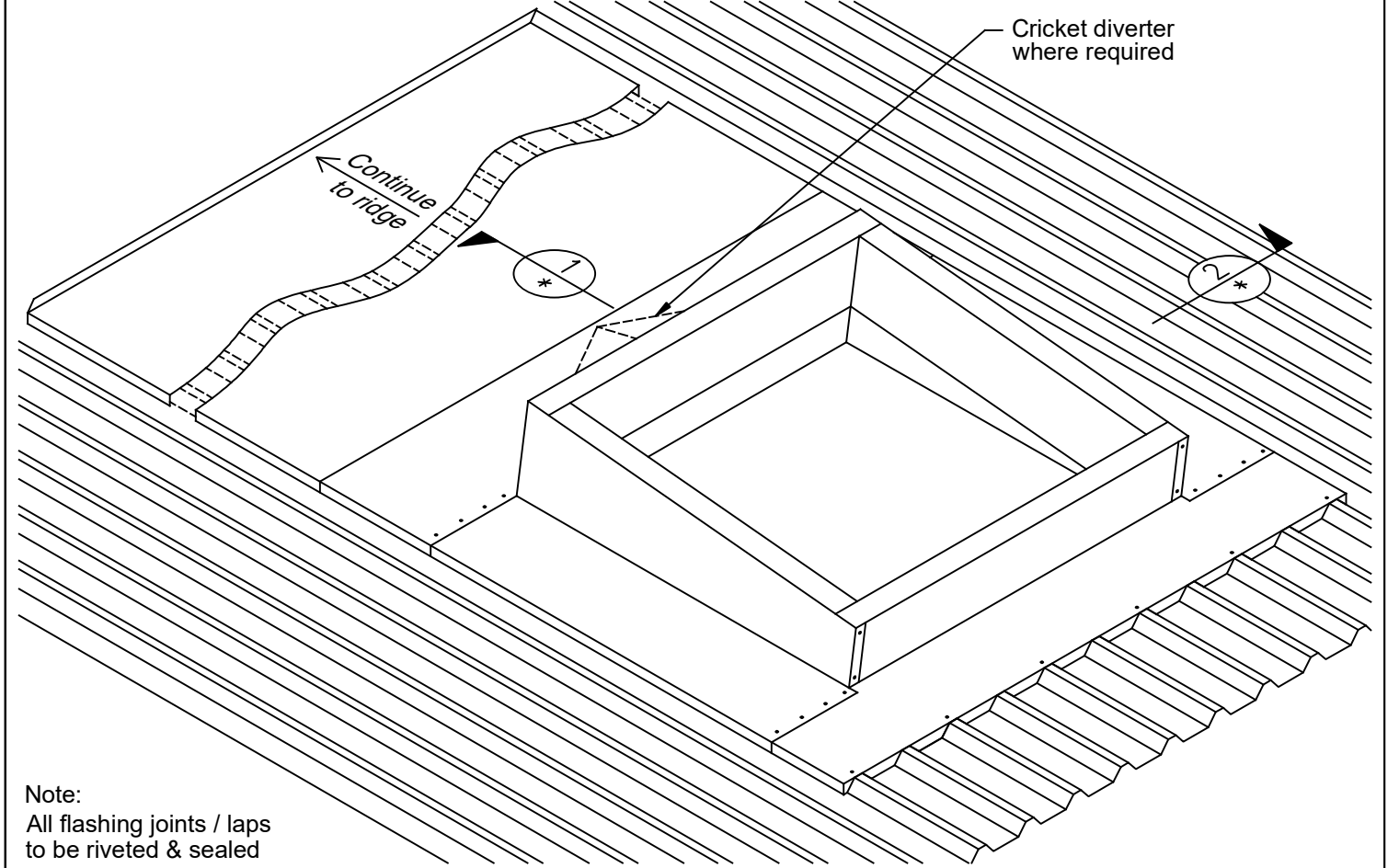


\* Dimensions to be in accordance with NZBC Clause E2



Roof Window (non-vent)			
Model No.	Daylight Dimension (mm)	Fixing Dimension (mm)	Overall Dimension (mm)
RW77	580 x 580	680 x 680	705 x 705
RW86	625 x 475	725 x 575	750 x 600
RW99	785 x 785	885 x 885	910 x 910
RW106	905 x 475	1005 x 575	1030 x 600
RW107	905 x 580	1005 x 608	1030 x 705
RW108	905 x 705	1005 x 805	1030 x 830
RW128	1105 x 705	1205 x 805	1230 x 830
RW137	1190 x 580	1290 x 680	1315 x 705
RW139	1190 x 785	1290 x 885	1315 x 910
RW148	1325 x 705	1425 x 805	1450 x 830
RW197	1785 x 580	1885 x 680	1910 x 705
RW1010	905 x 905	1005 x 1005	1030 x 1030
RW1212	1105 x 1065	1205 x 1165	1230 x 1190
RW1313	1190 x 1190	1290 x 1290	1315 x 1315
RW1412	1325 x 1065	1425 x 1165	1450 x 1190



Not to scale, do not scale from drawing. All details are generic in nature and should be read in conjunction with the roofing manufacturers' standard penetration details.

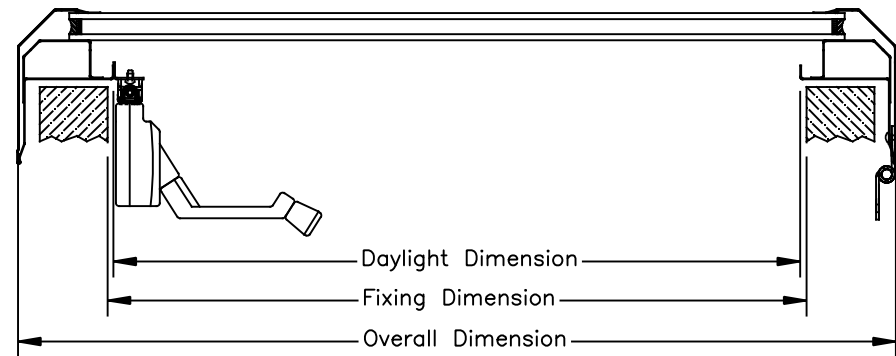
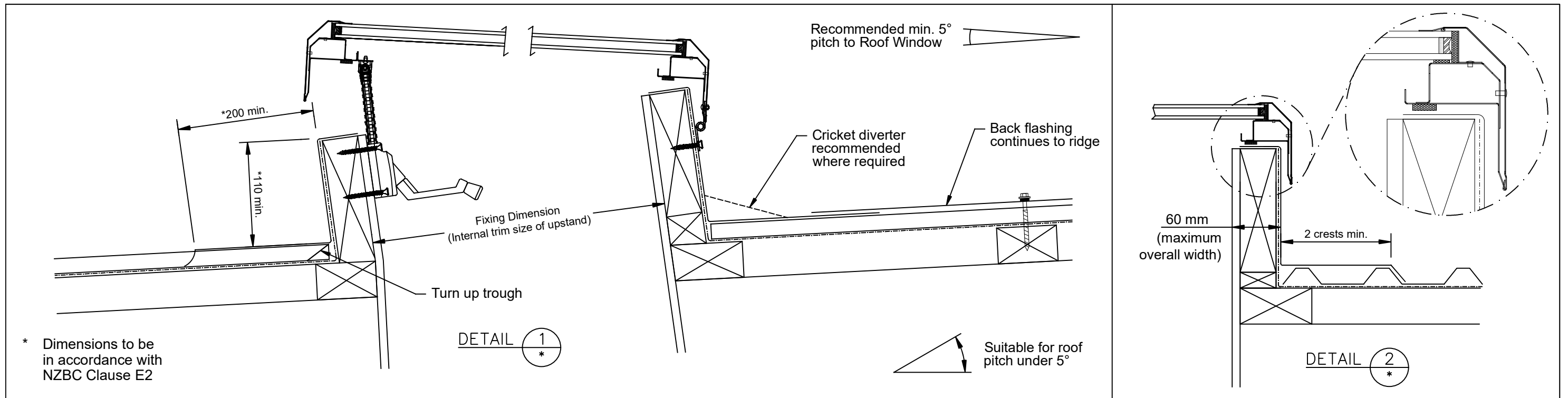


ADLUX Industries Ltd. ©  
 36 Olive Road, Penrose  
 P.O. Box 13866, Auckland  
 New Zealand.  
 Ph: (09) 636 6866  
 Fax: (09) 636 6846  
 Email: sales@adlux.co.nz

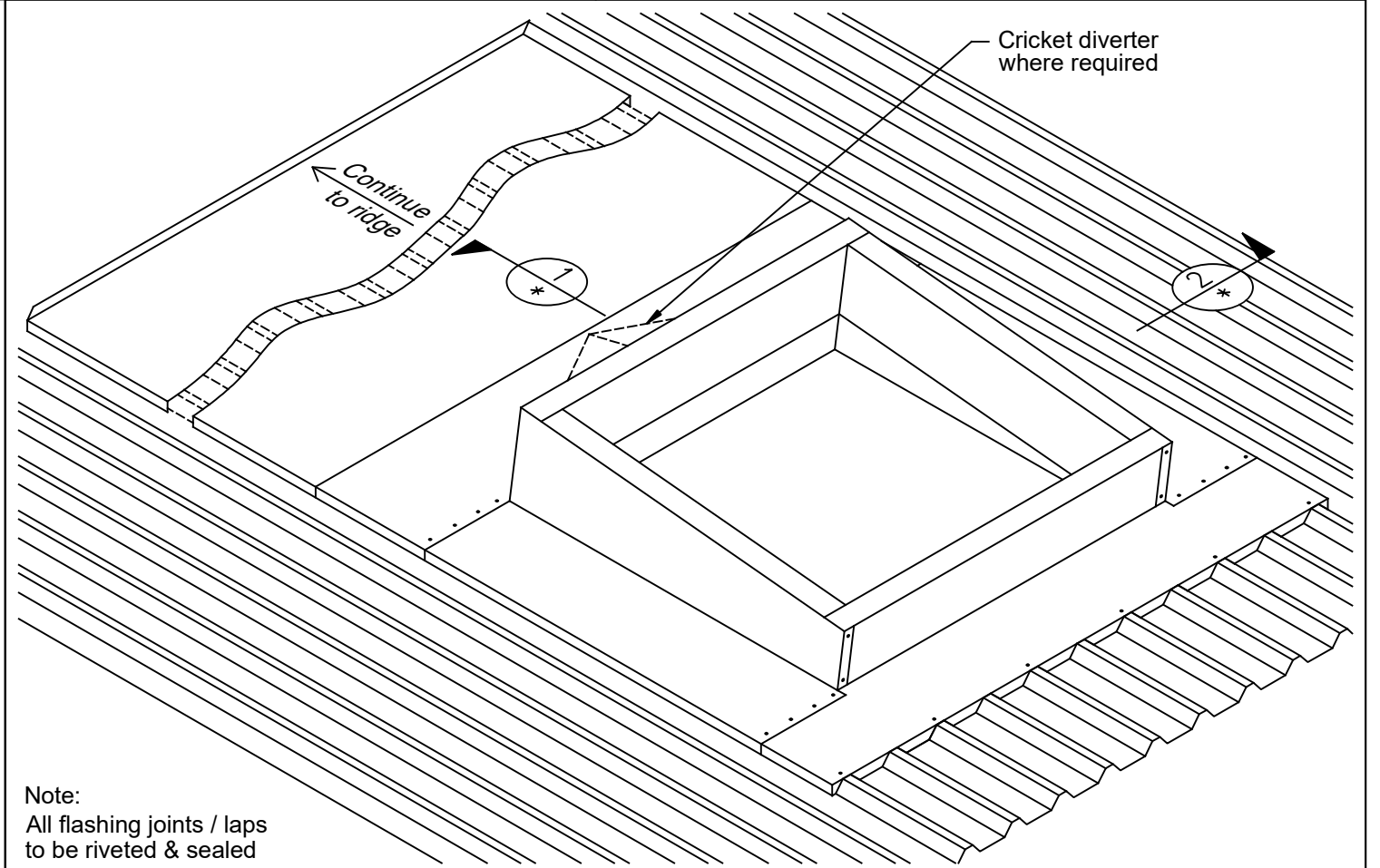
**ROOF WINDOW non-vent (Double Glazed)**  
**TRAPEZOID ROOFING PROFILE (Back Tray with Pitched Upstand)**  
 For roofs less than 5°

DATE: 23/09/20

DWG No: RW-TZ-BT-PU



Roof Window Opening - Sash	DAYLIGHT DIMENSION		FIXING DIMENSION		OVERALL DIMENSION	
Model No.						
RWS77	575	x 575	680	x 680	705	x 705
RWS86	620	x 470	725	x 575	750	x 600
RWS99	780	x 780	885	x 885	910	x 910
RWS106	900	x 470	1005	x 575	1030	x 600
RWS107	900	x 575	1005	x 680	1030	x 705
RWS108	900	x 700	1005	x 805	1030	x 830
RWS128	1100	x 700	1205	x 805	1230	x 830
RWS137	1185	x 575	1290	x 680	1315	x 705
RWS139	1185	x 780	1290	x 885	1315	x 910
RWS148	1320	x 700	1425	x 805	1450	x 830
RWS1010	900	x 900	1005	x 1005	1030	x 1030



Not to scale, do not scale from drawing. All details are generic in nature and should be read in conjunction with the roofing manufacturers' standard penetration details.

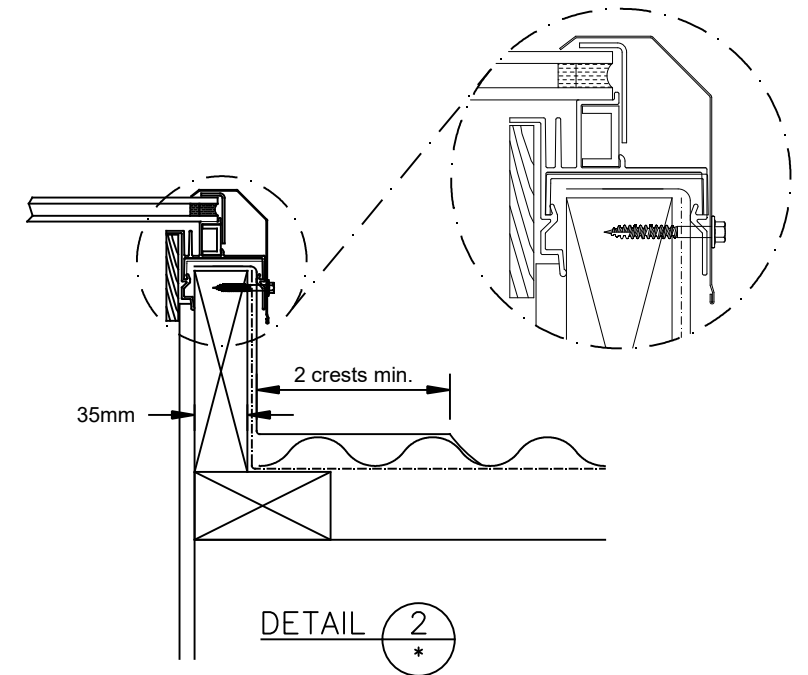
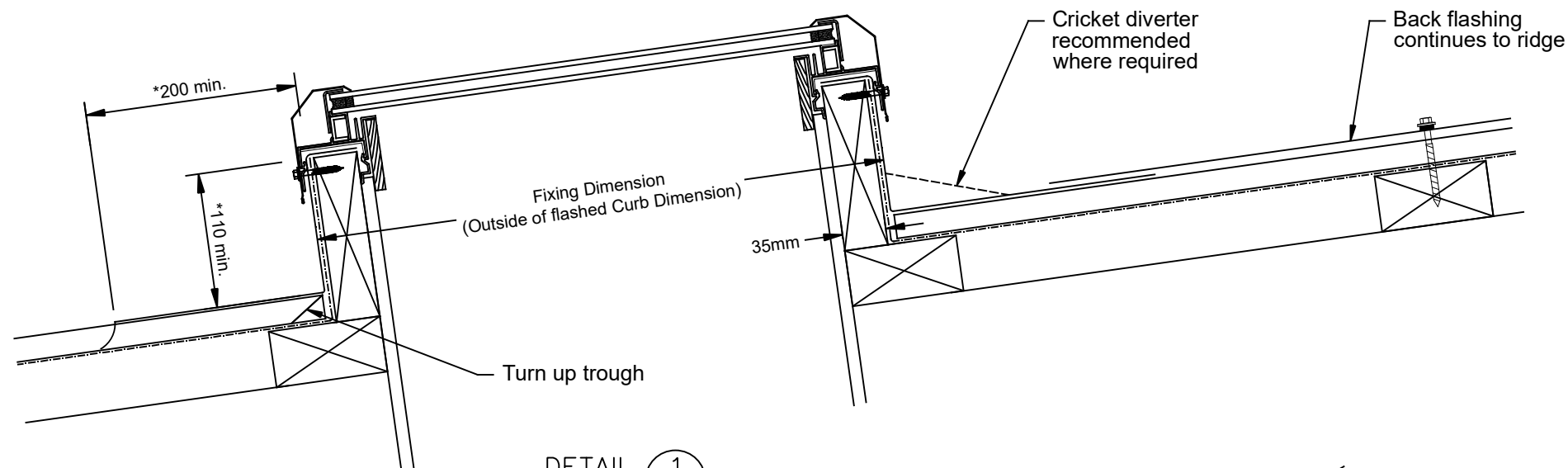


ADLUX Industries Ltd. ©  
 36 Olive Road, Penrose  
 P.O. Box 13866, Auckland  
 New Zealand.  
 Ph: (09) 636 6866  
 Fax: (09) 636 6846  
 Email: sales@adlux.co.nz

## ROOF WINDOW OPENING (Double Glazed) SASH TRAPEZOID ROOFING PROFILE (Back Tray with Pitched Upstand) For roofs less than 5°

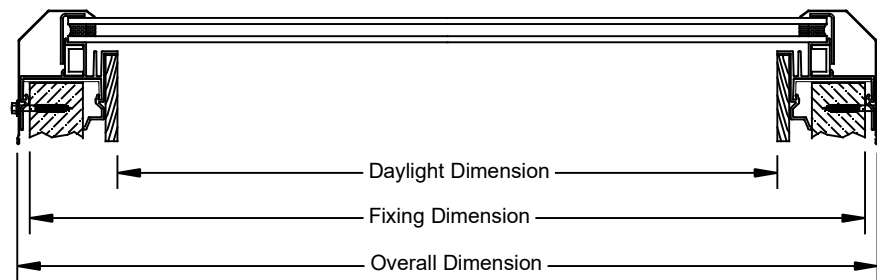
DATE: 07/01/2021

DWG No: RWS-TZ-BT-PU

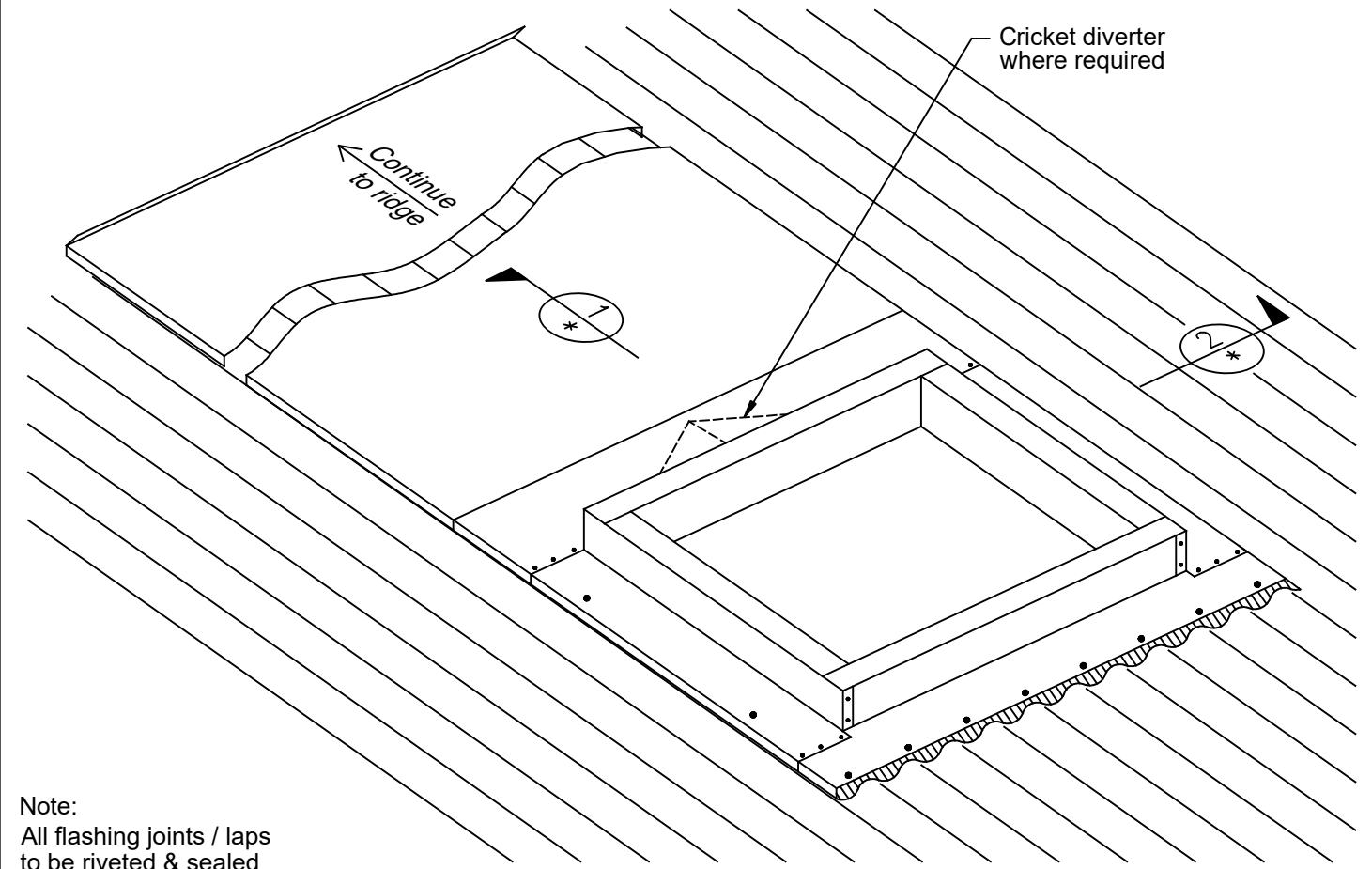


\* Dimensions to be in accordance with NZBC Clause E2

Suitable for roof pitch 5° to 60°



ECO Roof Window			
Model No.	Daylight Dimension (mm)	Fixing Dimension (mm)	Overall Dimension (mm)
RWA77	572 x 572	692 x 692	717 x 717
RWA86	615 x 465	735 x 585	760 x 610
RWA99	775 x 775	895 x 895	920 x 920
RWA106	895 x 465	1015 x 585	1040 x 610
RWA107	895 x 572	1015 x 692	1040 x 717
RWA108	895 x 695	1015 x 815	1040 x 840
RWA128	1095 x 695	1215 x 815	1240 x 840
RWA137	1181 x 572	1301 x 692	1326 x 717
RWA139	1181 x 775	1301 x 895	1326 x 920
RWA148	1315 x 695	1435 x 815	1460 x 840
RWA197	1775 x 572	1895 x 692	1920 x 717
RWA1010	895 x 895	1015 x 1015	1040 x 1040
RWA1212	1095 x 1055	1215 x 1175	1240 x 1200
RWA1313	1181 x 1181	1301 x 1301	1326 x 1326
RWA1412	1315 x 1055	1435 x 1175	1460 x 1200



Note:  
All flashing joints / laps to be riveted & sealed

Not to scale, do not scale from drawing. All details are generic in nature and should be read in conjunction with the roofing manufacturers' standard penetration details.



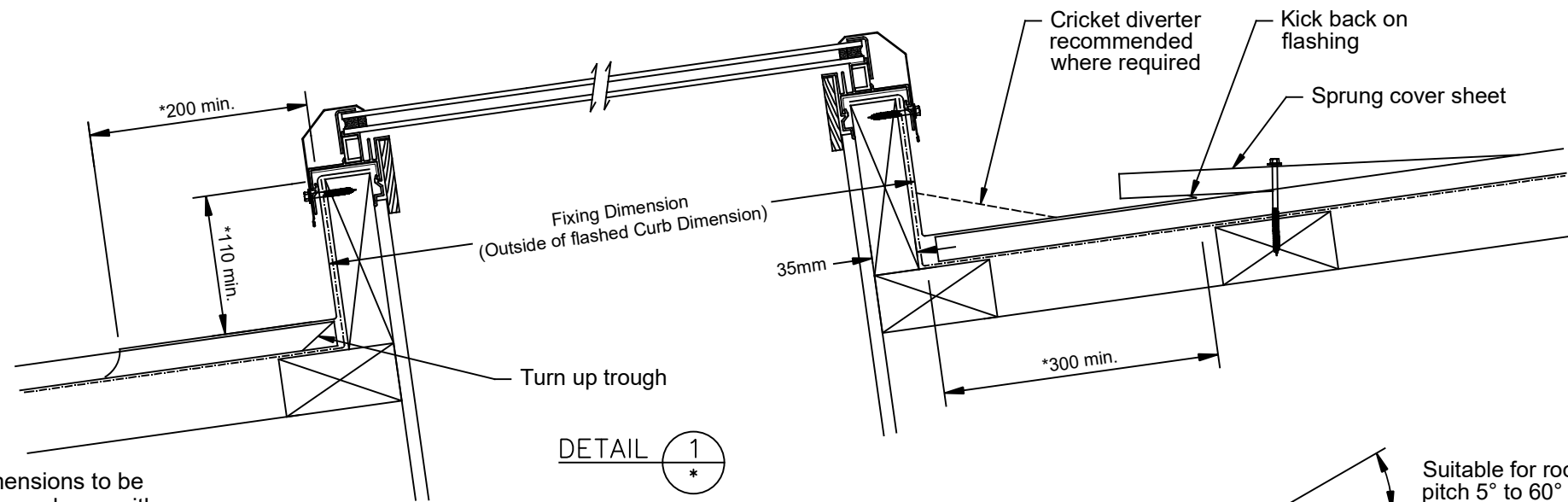
ADLUX Industries Ltd. ©  
36 Olive Road, Penrose  
P.O. Box 13866, Auckland  
New Zealand.  
Ph: (09) 636 6866  
Fax: (09) 636 6846  
Email: sales@adlux.co.nz

**ECO ROOF WINDOW (Double Glazed)**  
**CORRUGATED ROOFING PROFILE (Back Tray)**  
**PITCH 5° TO 60°**

DATE: 12/01/2021

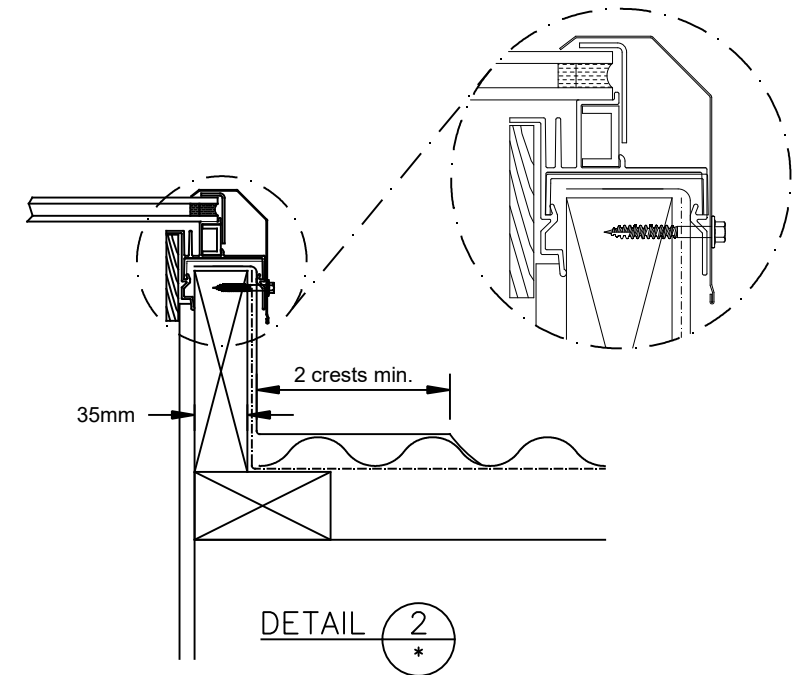
DWG No: RWA-CR-BT



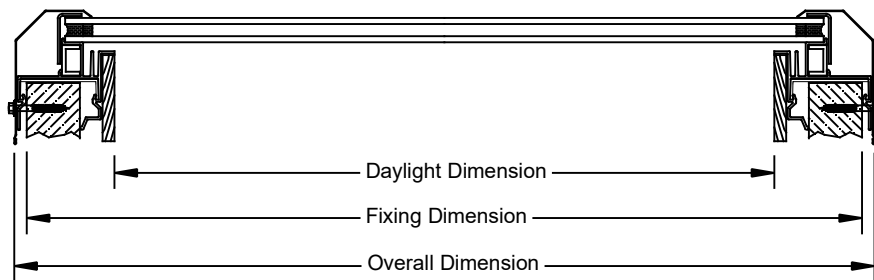


\* Dimensions to be in accordance with NZBC Clause E2

DETAIL 1

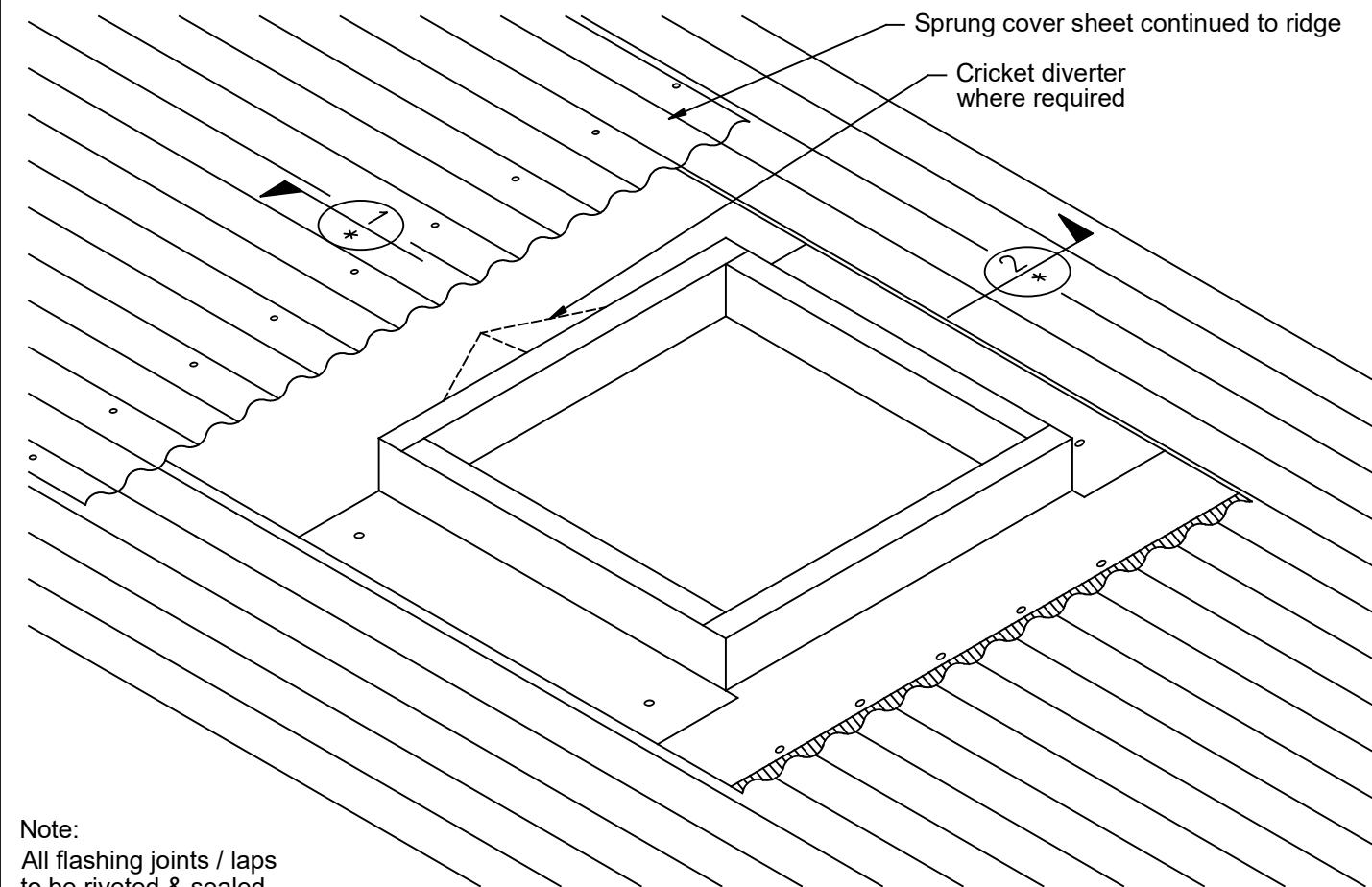


DETAIL 2



ECO Roof Window			
Model No.	Daylight Dimension (mm)	Fixing Dimension (mm)	Overall Dimension (mm)
RWA77	572 x 572	692 x 692	717 x 717
RWA86	615 x 465	735 x 585	760 x 610
RWA99	775 x 775	895 x 895	920 x 920
RWA106	895 x 465	1015 x 585	1040 x 610
RWA107	895 x 572	1015 x 692	1040 x 717
RWA108	895 x 695	1015 x 815	1040 x 840
RWA128	1095 x 695	1215 x 815	1240 x 840
RWA137	1181 x 572	1301 x 692	1326 x 717
RWA139	1181 x 775	1301 x 895	1326 x 920
RWA148	1315 x 695	1435 x 815	1460 x 840
RWA197	1775 x 572	1895 x 692	1920 x 717
RWA1010	895 x 895	1015 x 1015	1040 x 1040
RWA1212	1095 x 1055	1215 x 1175	1240 x 1200
RWA1313	1181 x 1181	1301 x 1301	1326 x 1326
RWA1412	1315 x 1055	1435 x 1175	1460 x 1200

Not to scale, do not scale from drawing. All details are generic in nature and should be read in conjunction with the roofing manufacturers' standard penetration details.



Note:  
All flashing joints / laps  
to be riveted & sealed



ADLUX Industries Ltd. ©  
36 Olive Road, Penrose  
P.O. Box 13866, Auckland  
New Zealand.  
Ph: (09) 636 6866  
Fax: (09) 636 6846  
Email: sales@adlux.co.nz

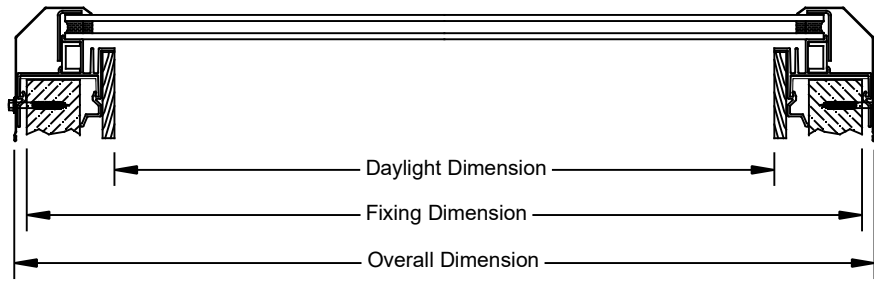
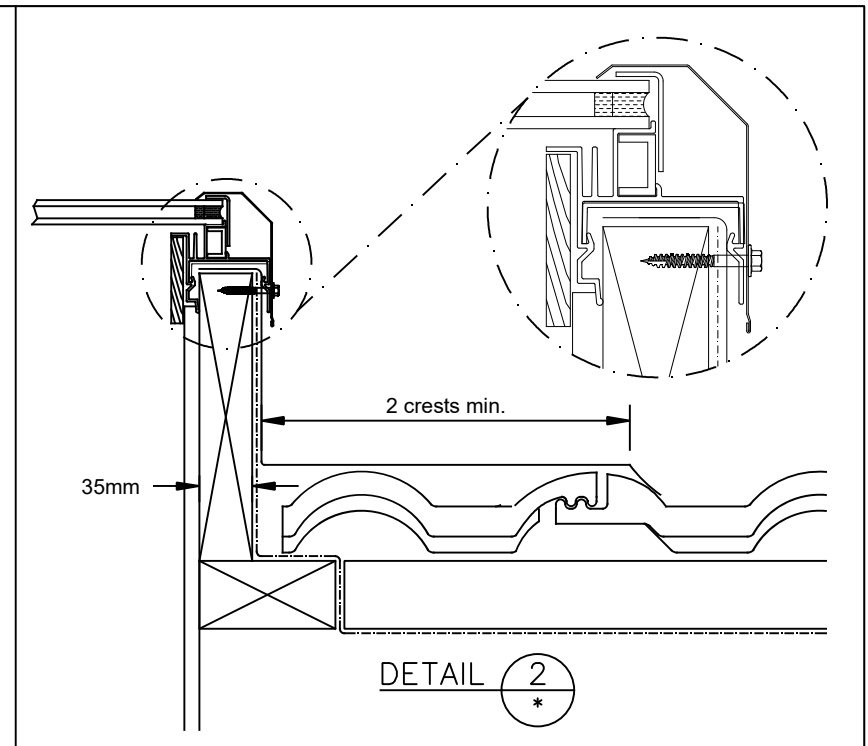
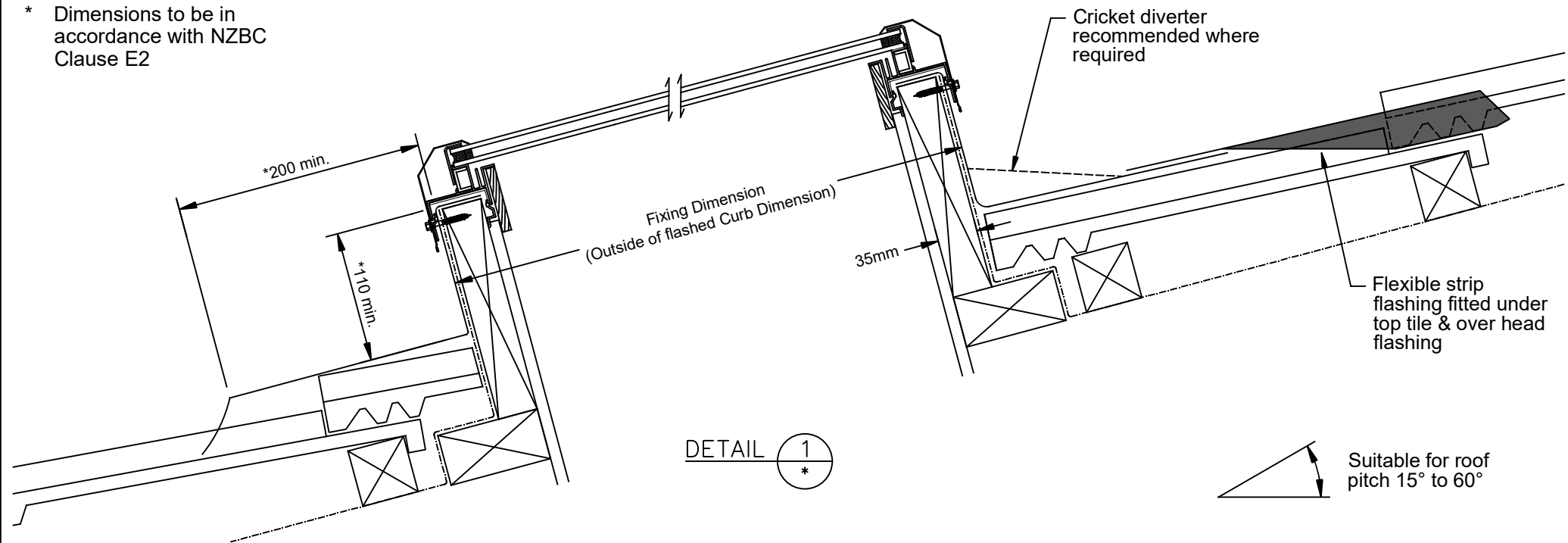
**ECO ROOF WINDOW (Double Glazed)**  
**CORRUGATED ROOFING PROFILE (Sprung Sheet)**  
**PITCH 5° TO 60°**

DATE: 12/01/2021

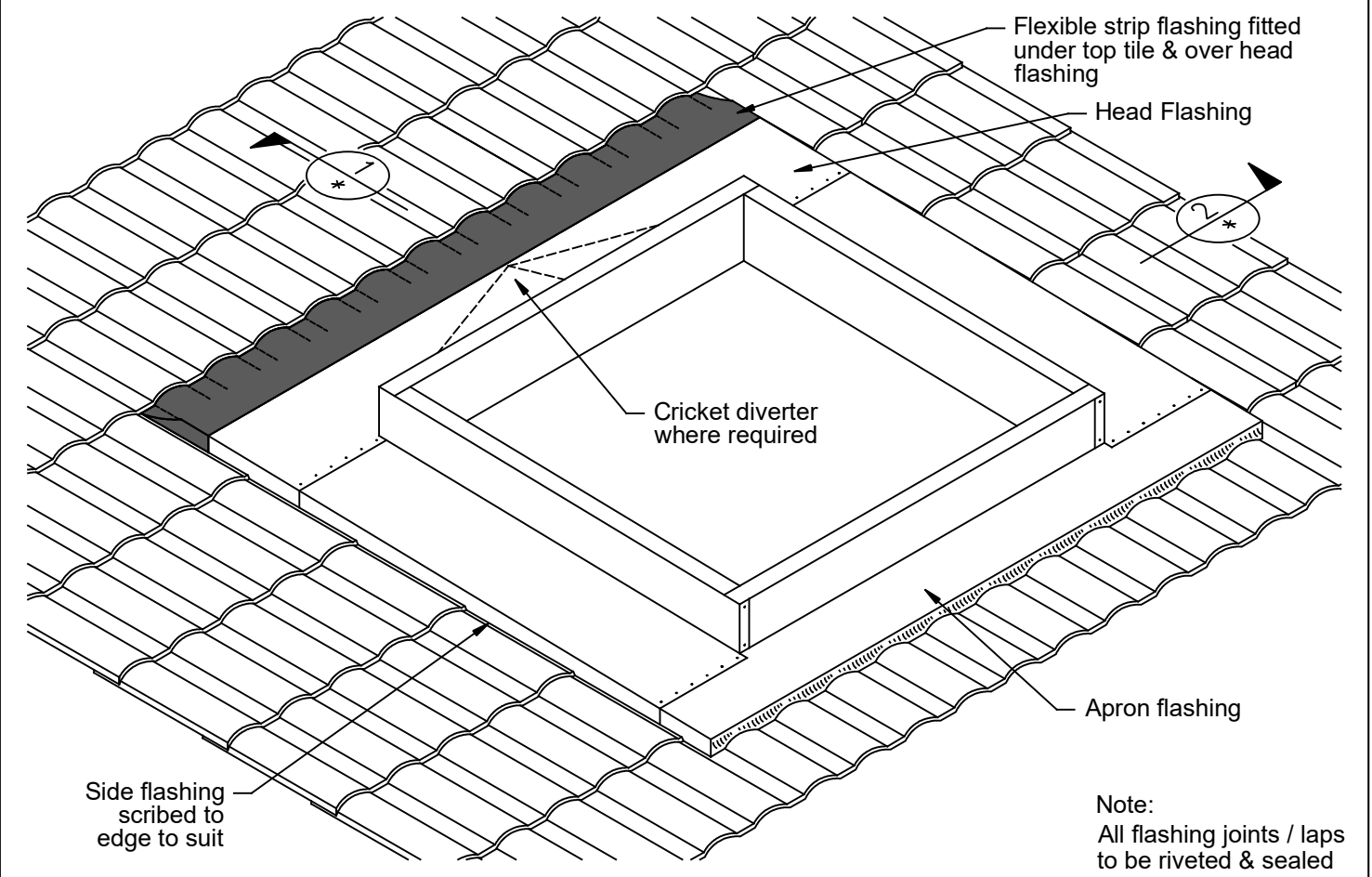
DWG No: RWA-CR-SS



\* Dimensions to be in accordance with NZBC Clause E2



ECO Roof Window			
Model No.	Daylight Dimension (mm)	Fixing Dimension (mm)	Overall Dimension (mm)
RWA77	572 x 572	692 x 692	717 x 717
RWA86	615 x 465	735 x 585	760 x 610
RWA99	775 x 775	895 x 895	920 x 920
RWA106	895 x 465	1015 x 585	1040 x 610
RWA107	895 x 572	1015 x 692	1040 x 717
RWA108	895 x 695	1015 x 815	1040 x 840
RWA128	1095 x 695	1215 x 815	1240 x 840
RWA137	1181 x 572	1301 x 692	1326 x 717
RWA139	1181 x 775	1301 x 895	1326 x 920
RWA148	1315 x 695	1435 x 815	1460 x 840
RWA197	1775 x 572	1895 x 692	1920 x 717
RWA1010	895 x 895	1015 x 1015	1040 x 1040
RWA1212	1095 x 1055	1215 x 1175	1240 x 1200
RWA1313	1181 x 1181	1301 x 1301	1326 x 1326
RWA1412	1315 x 1055	1435 x 1175	1460 x 1200



Not to scale, do not scale from drawing. All details are generic in nature and should be read in conjunction with the roofing manufacturers' standard penetration details.



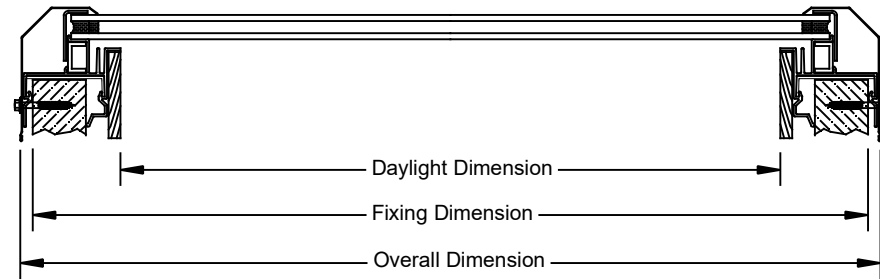
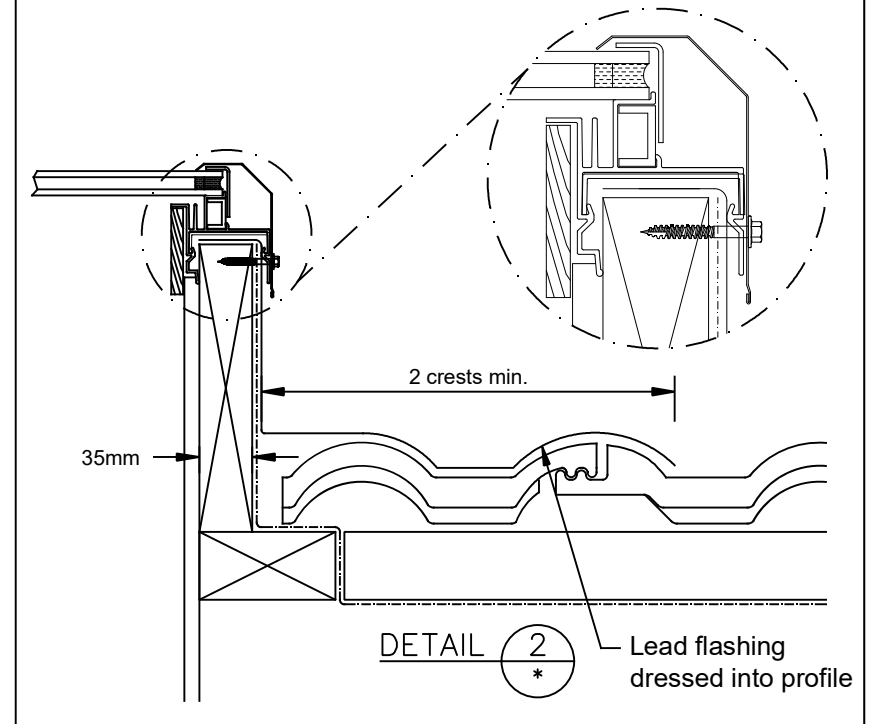
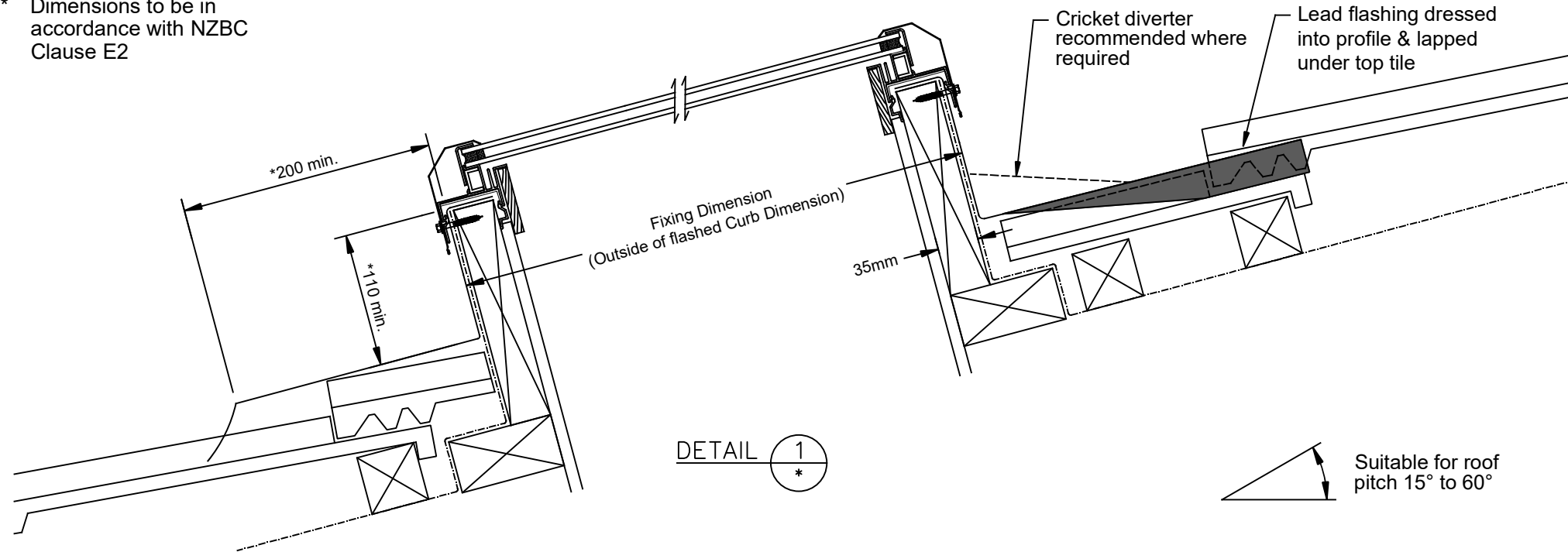
ADLUX Industries Ltd. ©  
 36 Olive Road, Penrose  
 P.O. Box 13866, Auckland  
 New Zealand.  
 Ph: (09) 636 6866  
 Fax: (09) 636 6846  
 Email: sales@adlux.co.nz

**ECO ROOF WINDOW (Double Glazed)  
 CONCRETE ROOFING TILE (Coloursteel Flashing)  
 PITCH 15° TO 60°**

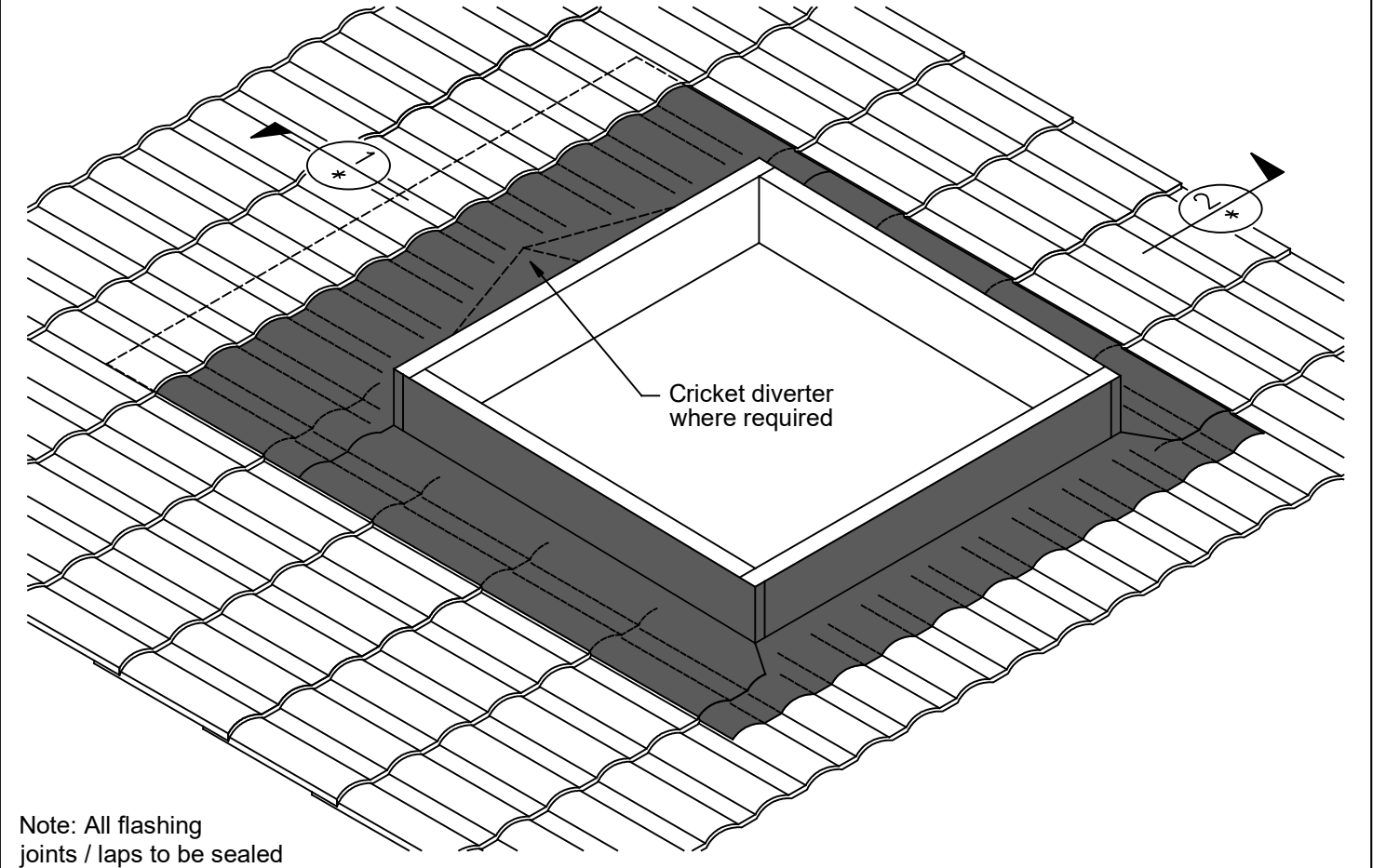
DATE: 13/01/2021

DWG No: RWA-CT-CS

\* Dimensions to be in accordance with NZBC Clause E2



ECO Roof Window			
Model No.	Daylight Dimension (mm)	Fixing Dimension (mm)	Overall Dimension (mm)
RWA77	572 x 572	692 x 692	717 x 717
RWA86	615 x 465	735 x 585	760 x 610
RWA99	775 x 775	895 x 895	920 x 920
RWA106	895 x 465	1015 x 585	1040 x 610
RWA107	895 x 572	1015 x 692	1040 x 717
RWA108	895 x 695	1015 x 815	1040 x 840
RWA128	1095 x 695	1215 x 815	1240 x 840
RWA137	1181 x 572	1301 x 692	1326 x 717
RWA139	1181 x 775	1301 x 895	1326 x 920
RWA148	1315 x 695	1435 x 815	1460 x 840
RWA197	1775 x 572	1895 x 692	1920 x 717
RWA1010	895 x 895	1015 x 1015	1040 x 1040
RWA1212	1095 x 1055	1215 x 1175	1240 x 1200
RWA1313	1181 x 1181	1301 x 1301	1326 x 1326
RWA1412	1315 x 1055	1435 x 1175	1460 x 1200



Not to scale, do not scale from drawing. All details are generic in nature and should be read in conjunction with the roofing manufacturers' standard penetration details.

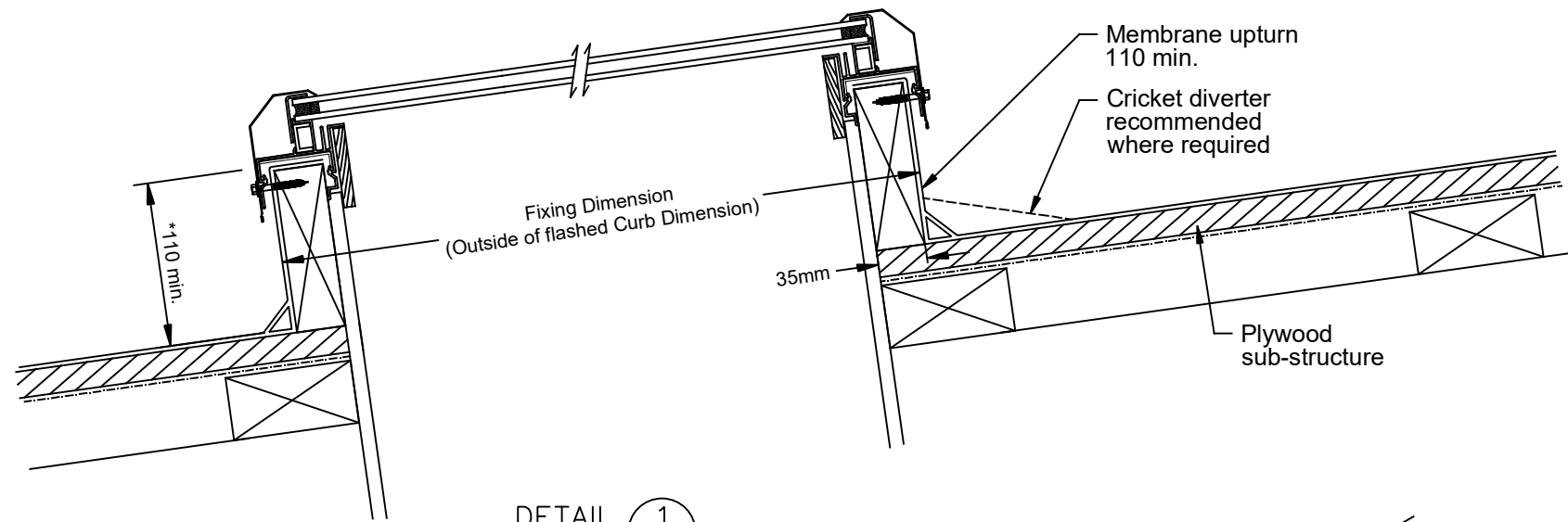


ADLUX Industries Ltd. ©  
 36 Olive Road, Penrose  
 P.O. Box 13866, Auckland  
 New Zealand.  
 Ph: (09) 636 6866  
 Fax: (09) 636 6846  
 Email: sales@adlux.co.nz

**ECO ROOF WINDOW (Double Glazed)  
 CONCRETE ROOFING TILE (Lead Flashing)  
 PITCH 15° TO 60°**

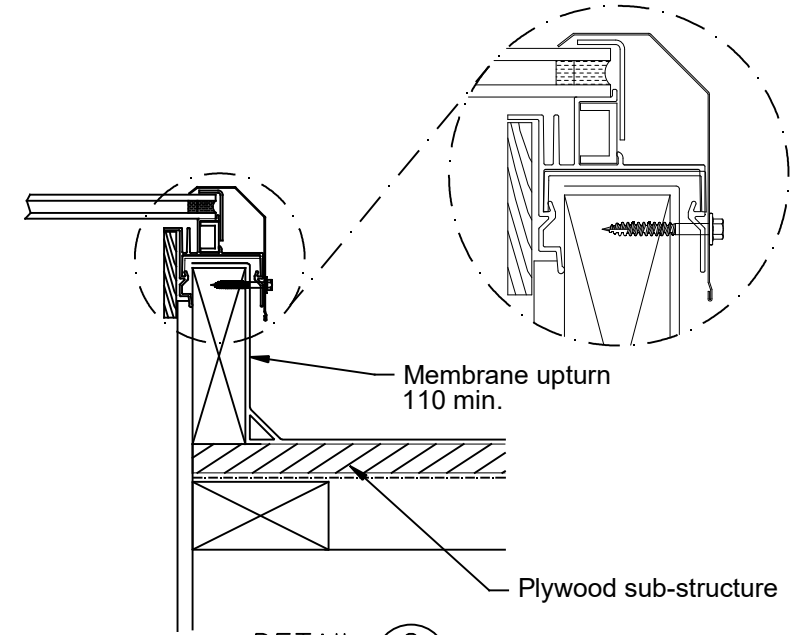
DATE: 13/01/2021

DWG No: RWA-CT-LD

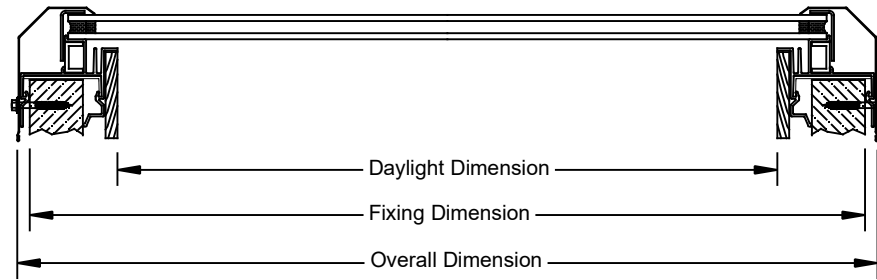


DETAIL 1

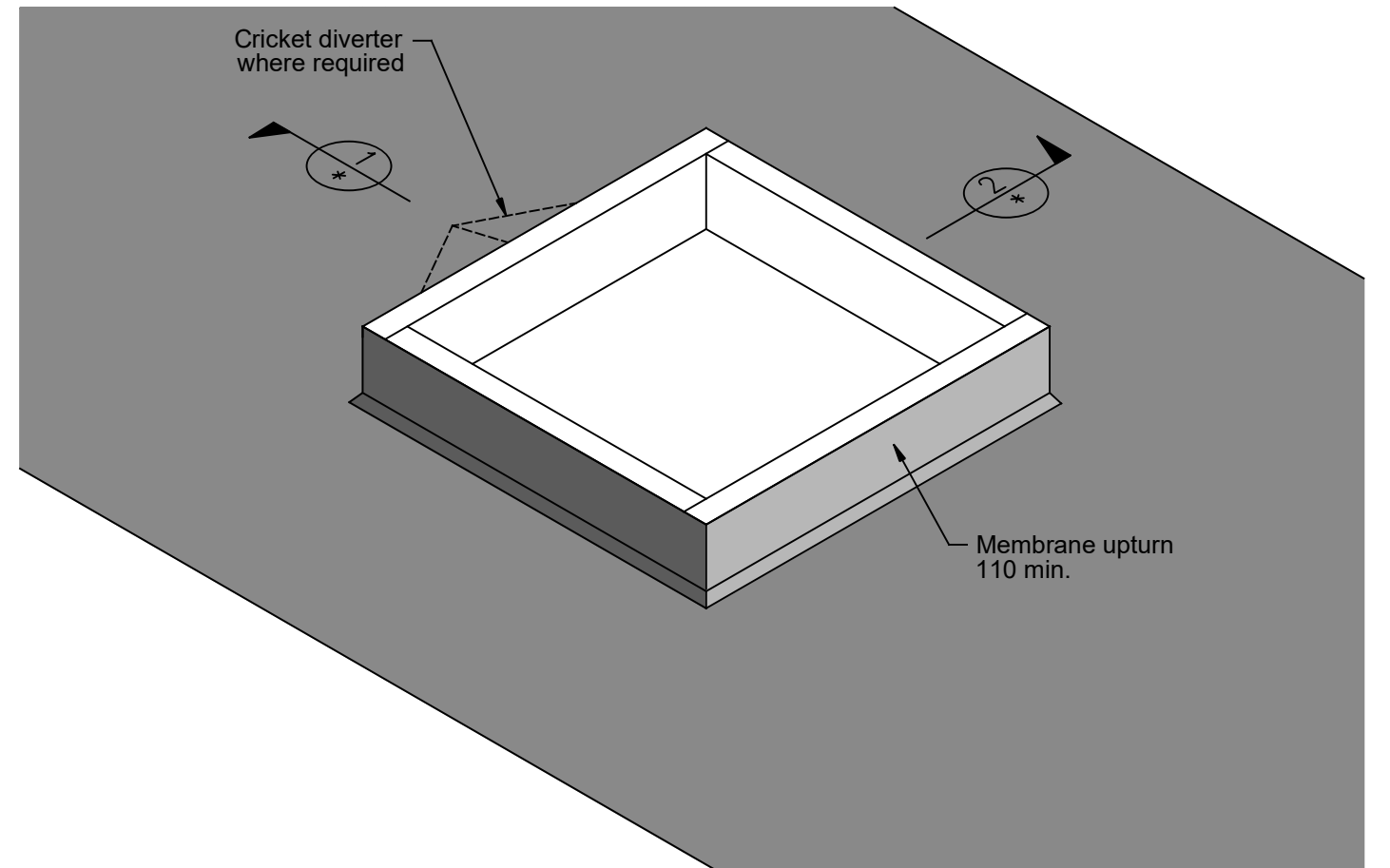
\* Dimensions to be in accordance with NZBC Clause E2



DETAIL 2



ECO Roof Window			
Model No.	Daylight Dimension (mm)	Fixing Dimension (mm)	Overall Dimension (mm)
RWA77	572 x 572	692 x 692	717 x 717
RWA86	615 x 465	735 x 585	760 x 610
RWA99	775 x 775	895 x 895	920 x 920
RWA106	895 x 465	1015 x 585	1040 x 610
RWA107	895 x 572	1015 x 692	1040 x 717
RWA108	895 x 695	1015 x 815	1040 x 840
RWA128	1095 x 695	1215 x 815	1240 x 840
RWA137	1181 x 572	1301 x 692	1326 x 717
RWA139	1181 x 775	1301 x 895	1326 x 920
RWA148	1315 x 695	1435 x 815	1460 x 840
RWA197	1775 x 572	1895 x 692	1920 x 717
RWA1010	895 x 895	1015 x 1015	1040 x 1040
RWA1212	1095 x 1055	1215 x 1175	1240 x 1200
RWA1313	1181 x 1181	1301 x 1301	1326 x 1326
RWA1412	1315 x 1055	1435 x 1175	1460 x 1200



Not to scale, do not scale from drawing. All details are generic in nature and should be read in conjunction with the roofing manufacturers' standard penetration details.



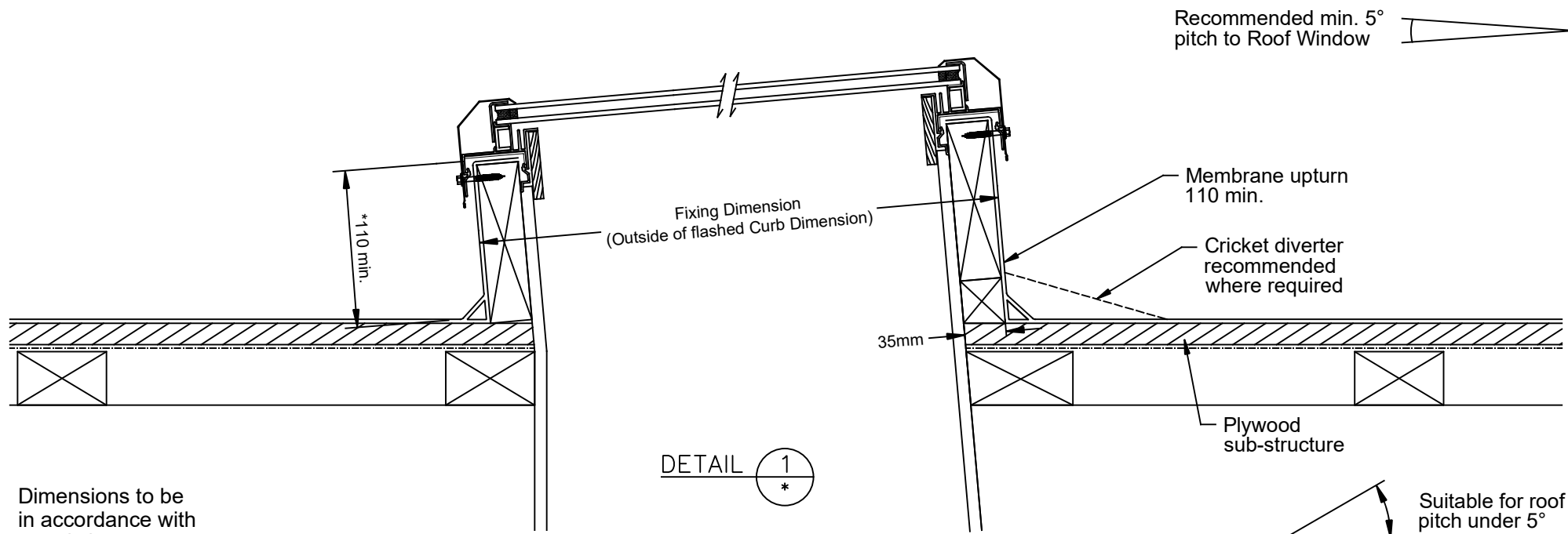
ADLUX Industries Ltd. ©  
 36 Olive Road, Penrose  
 P.O. Box 13866, Auckland  
 New Zealand.  
 Ph: (09) 636 6866  
 Fax: (09) 636 6846  
 Email: sales@adlux.co.nz

ECO ROOF WINDOW (Double Glazed)  
 MEMBRANE ROOFING  
 PITCH 5° TO 60°

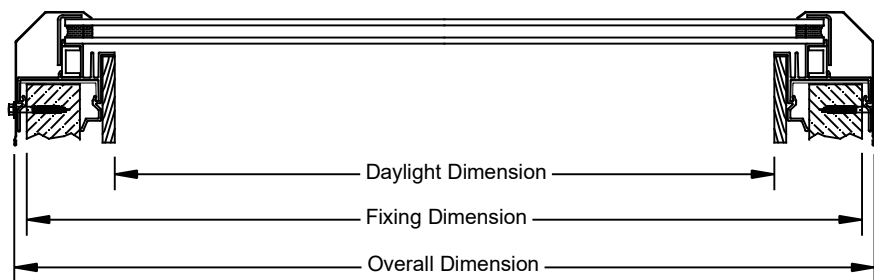
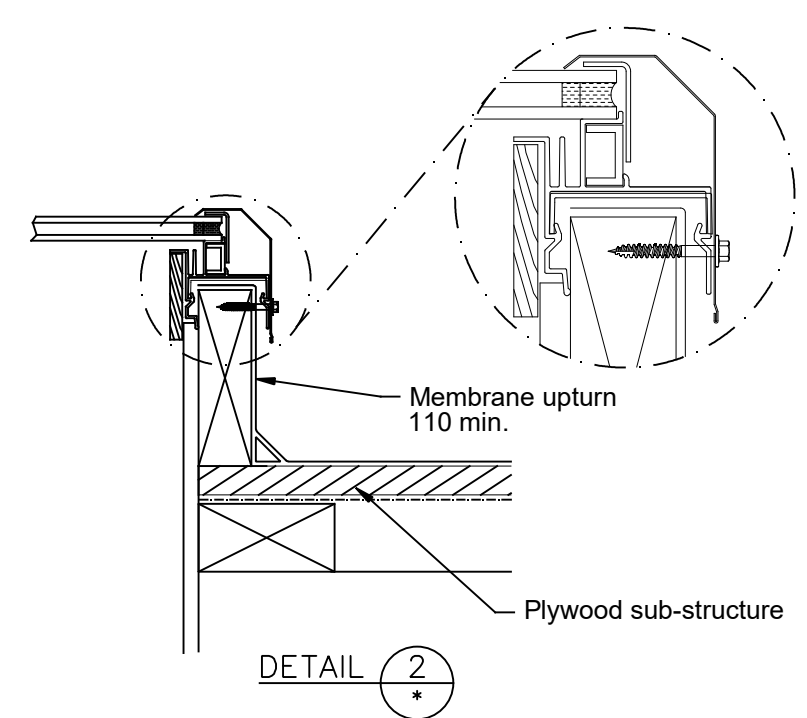
DATE: 13/01/2021

DWG No: RWA-MEM

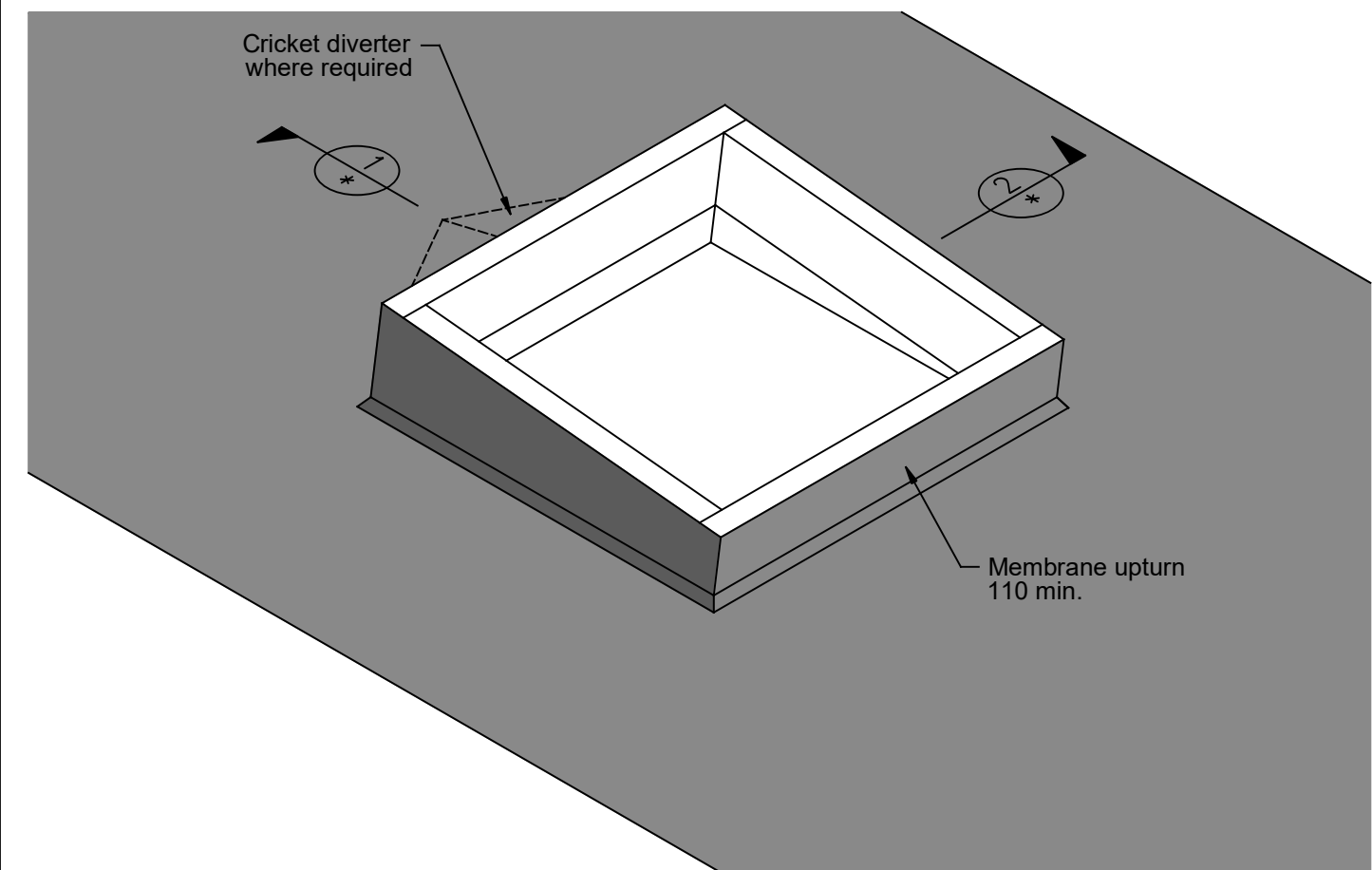




\* Dimensions to be in accordance with NZBC Clause E2



ECO Roof Window			
Model No.	Daylight Dimension (mm)	Fixing Dimension (mm)	Overall Dimension (mm)
RWA77	572 x 572	692 x 692	717 x 717
RWA86	615 x 465	735 x 585	760 x 610
RWA99	775 x 775	895 x 895	920 x 920
RWA106	895 x 465	1015 x 585	1040 x 610
RWA107	895 x 572	1015 x 692	1040 x 717
RWA108	895 x 695	1015 x 815	1040 x 840
RWA128	1095 x 695	1215 x 815	1240 x 840
RWA137	1181 x 572	1301 x 692	1326 x 717
RWA139	1181 x 775	1301 x 895	1326 x 920
RWA148	1315 x 695	1435 x 815	1460 x 840
RWA197	1775 x 572	1895 x 692	1920 x 717
RWA1010	895 x 895	1015 x 1015	1040 x 1040
RWA1212	1095 x 1055	1215 x 1175	1240 x 1200
RWA1313	1181 x 1181	1301 x 1301	1326 x 1326
RWA1412	1315 x 1055	1435 x 1175	1460 x 1200



Not to scale, do not scale from drawing. All details are generic in nature and should be read in conjunction with the roofing manufacturers' standard penetration details.



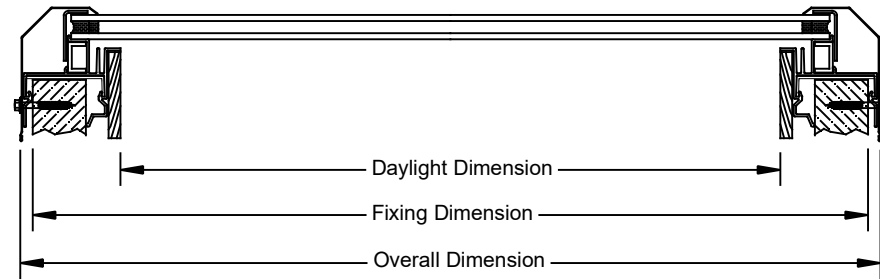
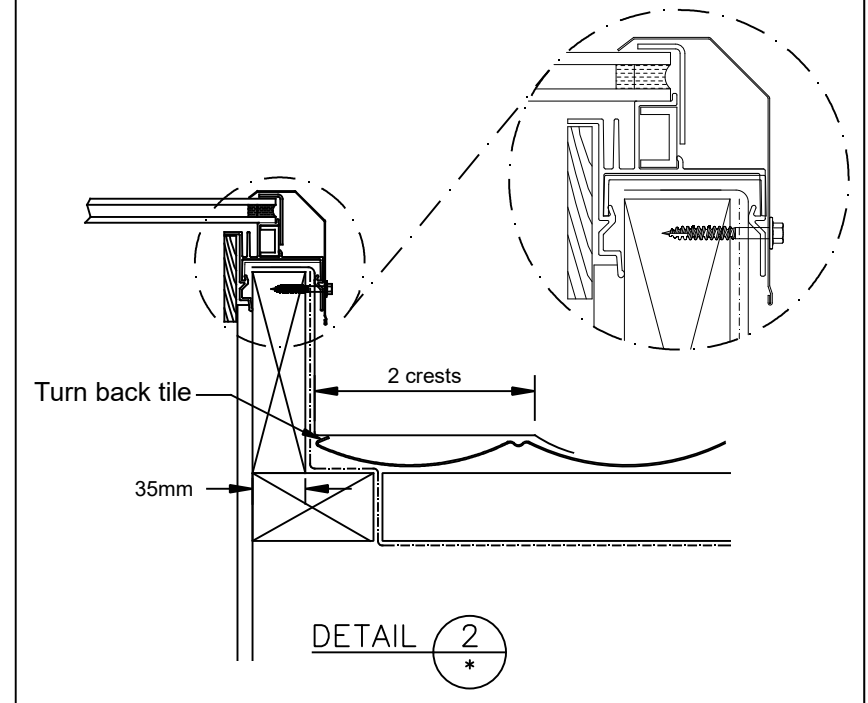
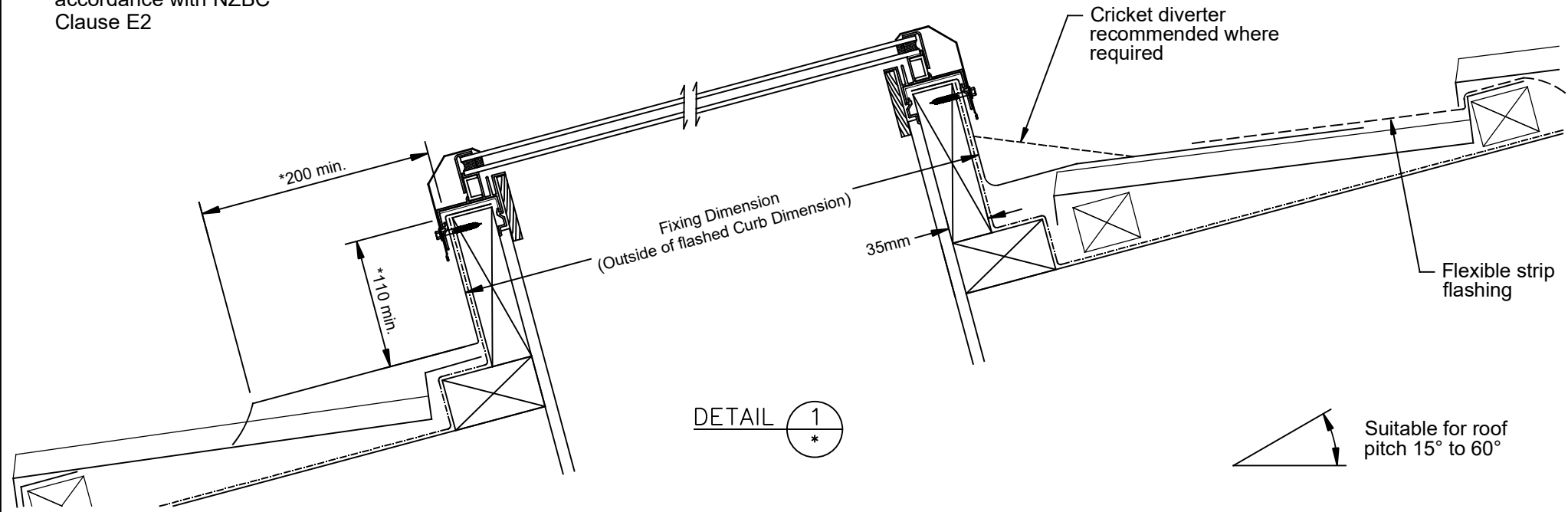
ADLUX Industries Ltd. ©  
 36 Olive Road, Penrose  
 P.O. Box 13866, Auckland  
 New Zealand.  
 Ph: (09) 636 6866  
 Fax: (09) 636 6846  
 Email: sales@adlux.co.nz

**ECO ROOF WINDOW (Double Glazed)**  
**MEMBRANE ROOFING (Pitched Upstand)**  
 For roofs less than 5°

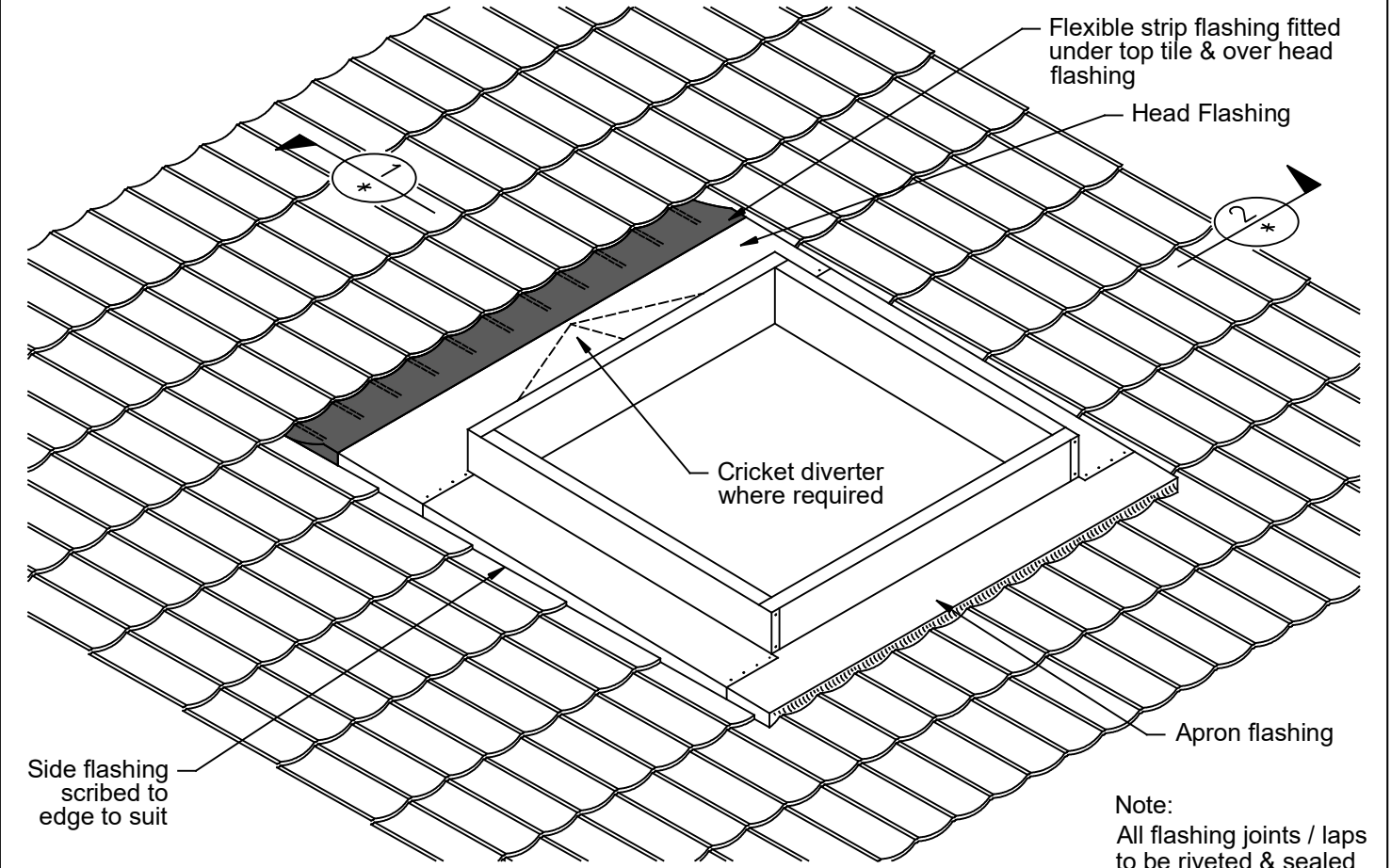
DATE: 18/01/2021

DWG No: RWA-MEM-PU

\* Dimensions to be in accordance with NZBC Clause E2



ECO Roof Window			
Model No.	Daylight Dimension (mm)	Fixing Dimension (mm)	Overall Dimension (mm)
RWA77	572 x 572	692 x 692	717 x 717
RWA86	615 x 465	735 x 585	760 x 610
RWA99	775 x 775	895 x 895	920 x 920
RWA106	895 x 465	1015 x 585	1040 x 610
RWA107	895 x 572	1015 x 692	1040 x 717
RWA108	895 x 695	1015 x 815	1040 x 840
RWA128	1095 x 695	1215 x 815	1240 x 840
RWA137	1181 x 572	1301 x 692	1326 x 717
RWA139	1181 x 775	1301 x 895	1326 x 920
RWA148	1315 x 695	1435 x 815	1460 x 840
RWA197	1775 x 572	1895 x 692	1920 x 717
RWA1010	895 x 895	1015 x 1015	1040 x 1040
RWA1212	1095 x 1055	1215 x 1175	1240 x 1200
RWA1313	1181 x 1181	1301 x 1301	1326 x 1326
RWA1412	1315 x 1055	1435 x 1175	1460 x 1200



Not to scale, do not scale from drawing. All details are generic in nature and should be read in conjunction with the roofing manufacturers' standard penetration details.



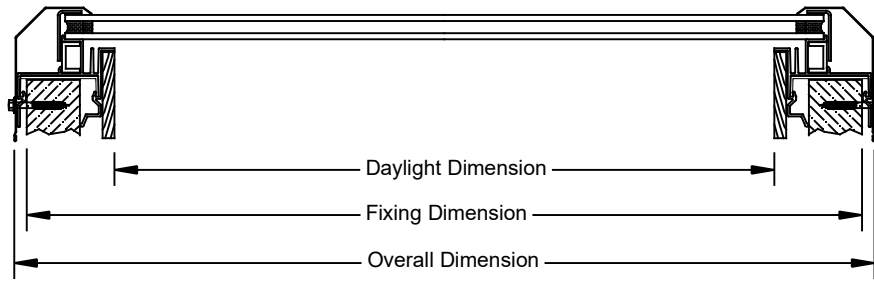
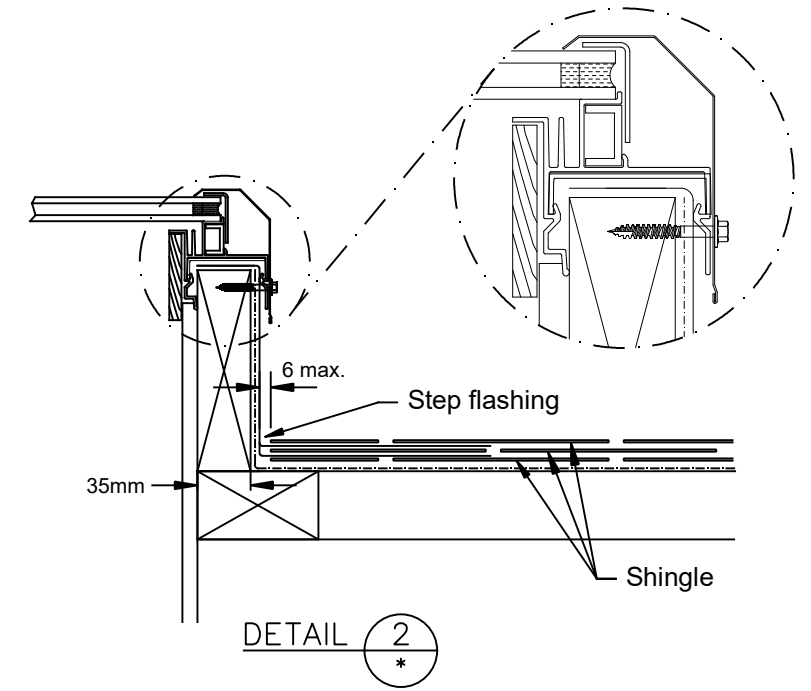
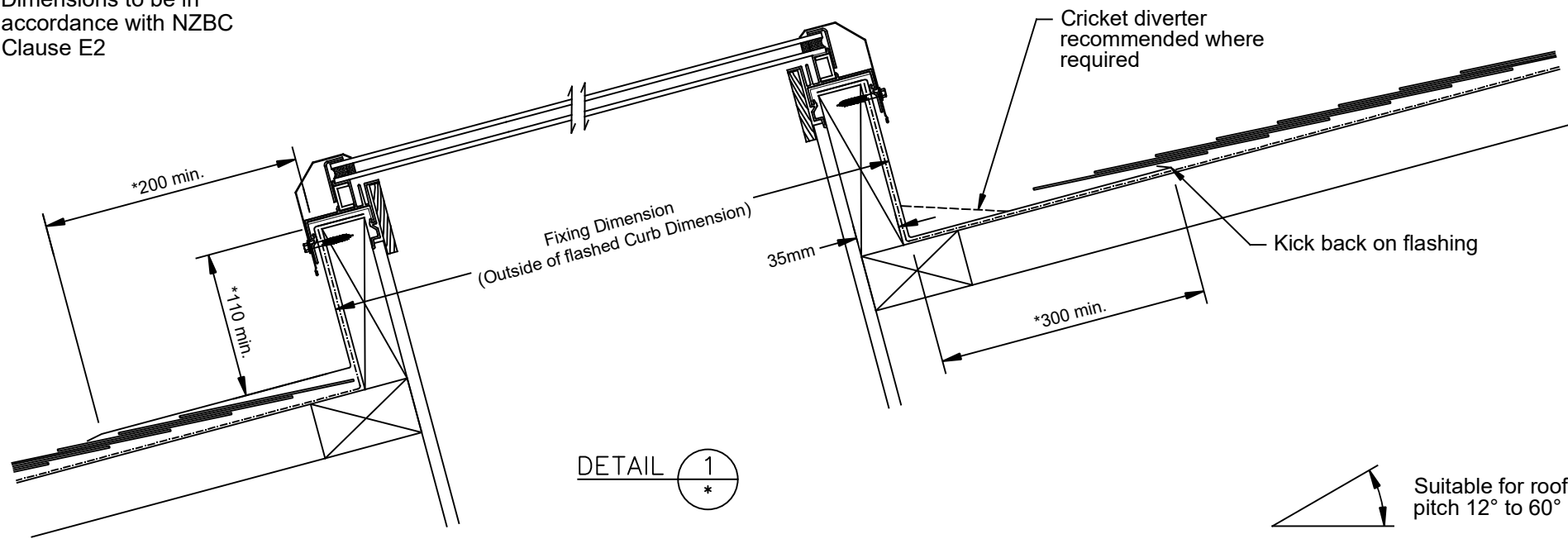
ADLUX Industries Ltd. ©  
 36 Olive Road, Penrose  
 P.O. Box 13866, Auckland  
 New Zealand.  
 Ph: (09) 636 6866  
 Fax: (09) 636 6846  
 Email: sales@adlux.co.nz

**ECO ROOF WINDOW (Double Glazed)**  
**METAL ROOFING TILE**  
**PITCH 15° TO 60°**

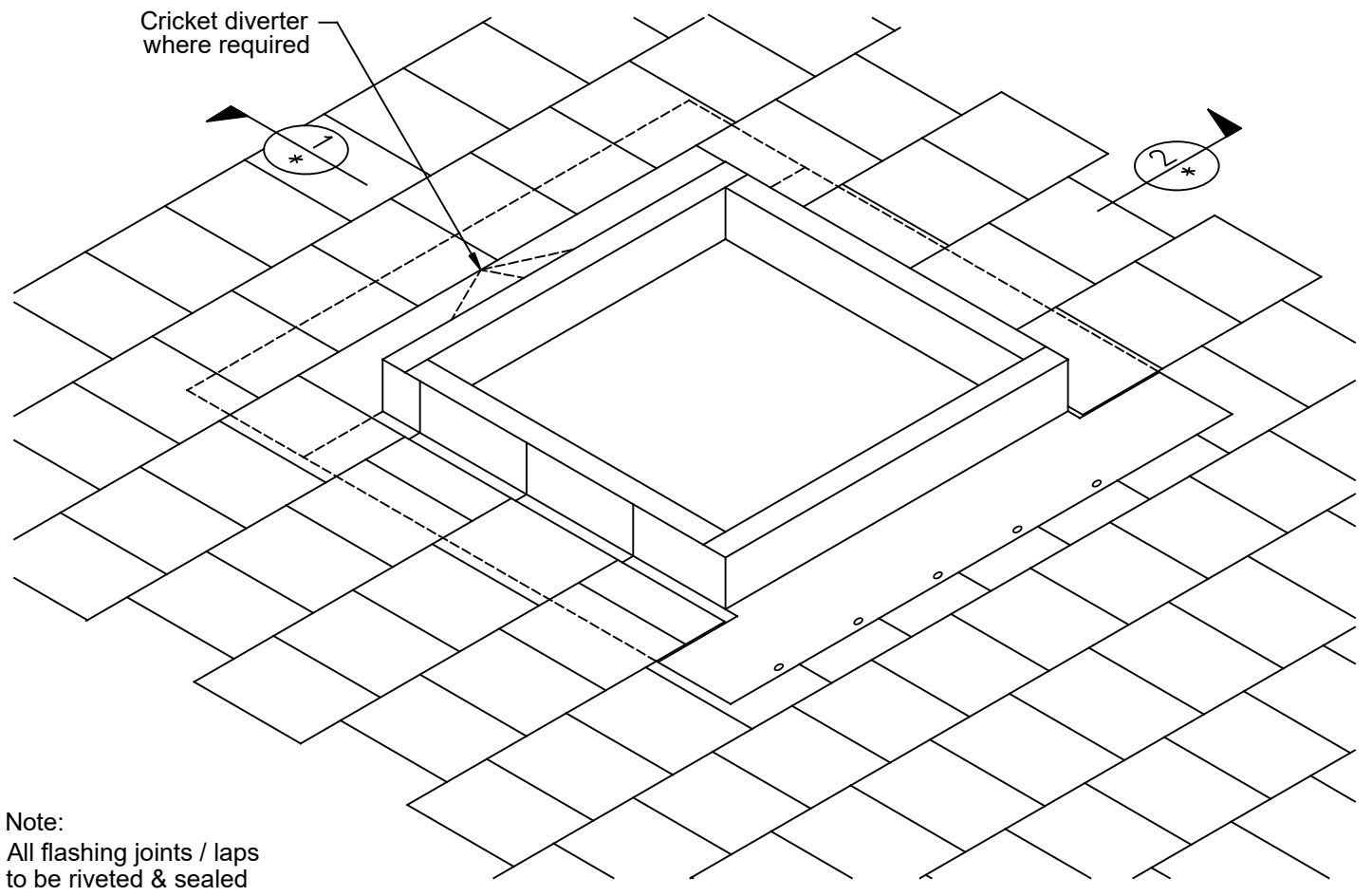
DATE: 18/01/2021

DWG No: RWA-MT

\* Dimensions to be in accordance with NZBC Clause E2



ECO Roof Window			
Model No.	Daylight Dimension (mm)	Fixing Dimension (mm)	Overall Dimension (mm)
RWA77	572 x 572	692 x 692	717 x 717
RWA86	615 x 465	735 x 585	760 x 610
RWA99	775 x 775	895 x 895	920 x 920
RWA106	895 x 465	1015 x 585	1040 x 610
RWA107	895 x 572	1015 x 692	1040 x 717
RWA108	895 x 695	1015 x 815	1040 x 840
RWA128	1095 x 695	1215 x 815	1240 x 840
RWA137	1181 x 572	1301 x 692	1326 x 717
RWA139	1181 x 775	1301 x 895	1326 x 920
RWA148	1315 x 695	1435 x 815	1460 x 840
RWA197	1775 x 572	1895 x 692	1920 x 717
RWA1010	895 x 895	1015 x 1015	1040 x 1040
RWA1212	1095 x 1055	1215 x 1175	1240 x 1200
RWA1313	1181 x 1181	1301 x 1301	1326 x 1326
RWA1412	1315 x 1055	1435 x 1175	1460 x 1200



Not to scale, do not scale from drawing. All details are generic in nature and should be read in conjunction with the roofing manufacturers' standard penetration details.



ADLUX Industries Ltd. ©  
 36 Olive Road, Penrose  
 P.O. Box 13866, Auckland  
 New Zealand.  
 Ph: (09) 636 6866  
 Fax: (09) 636 6846  
 Email: sales@adlux.co.nz

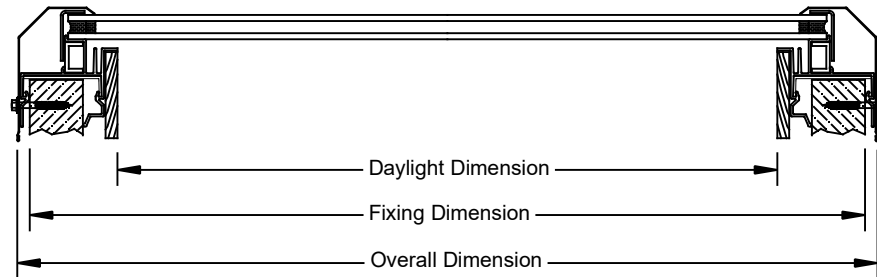
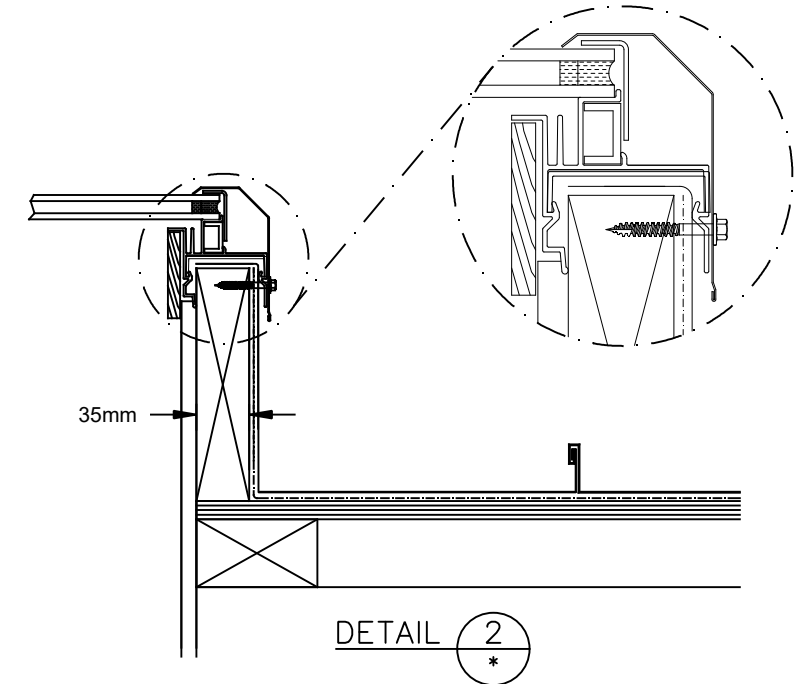
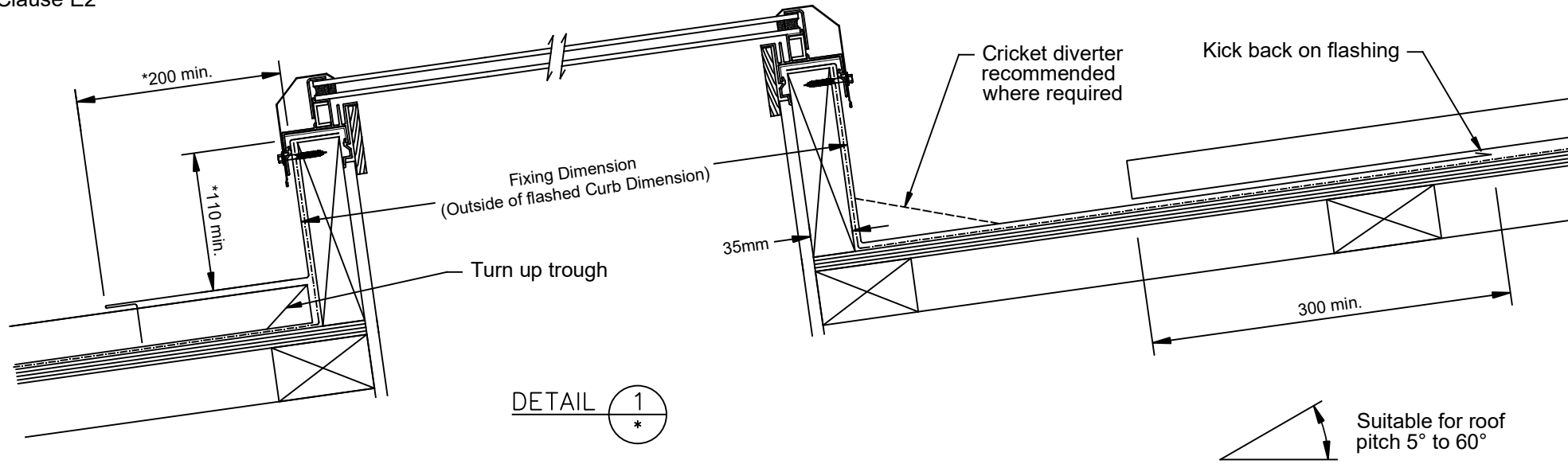
**ECO ROOF WINDOW (Double Glazed)**  
**SLATE / SHINGLE ROOFING TILE**  
**PITCH 12° TO 60°**

DATE: 19/01/2021

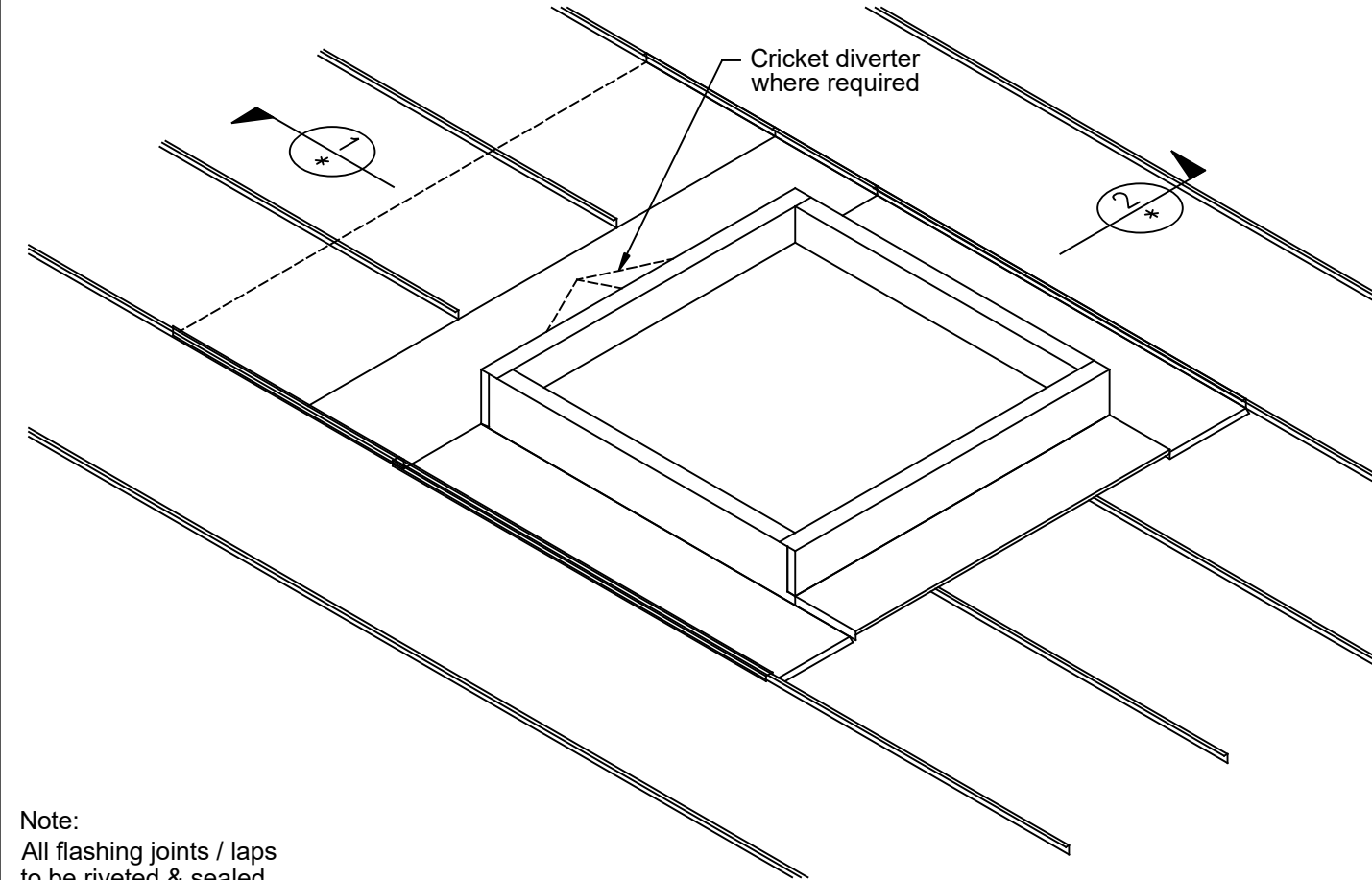
DWG No: RWA-SL/SH



\* Dimensions to be in accordance with NZBC Clause E2



ECO Roof Window			
Model No.	Daylight Dimension (mm)	Fixing Dimension (mm)	Overall Dimension (mm)
RWA77	572 x 572	692 x 692	717 x 717
RWA86	615 x 465	735 x 585	760 x 610
RWA99	775 x 775	895 x 895	920 x 920
RWA106	895 x 465	1015 x 585	1040 x 610
RWA107	895 x 572	1015 x 692	1040 x 717
RWA108	895 x 695	1015 x 815	1040 x 840
RWA128	1095 x 695	1215 x 815	1240 x 840
RWA137	1181 x 572	1301 x 692	1326 x 717
RWA139	1181 x 775	1301 x 895	1326 x 920
RWA148	1315 x 695	1435 x 815	1460 x 840
RWA197	1775 x 572	1895 x 692	1920 x 717
RWA1010	895 x 895	1015 x 1015	1040 x 1040
RWA1212	1095 x 1055	1215 x 1175	1240 x 1200
RWA1313	1181 x 1181	1301 x 1301	1326 x 1326
RWA1412	1315 x 1055	1435 x 1175	1460 x 1200



Note:  
All flashing joints / laps to be riveted & sealed

Not to scale, do not scale from drawing. All details are generic in nature and should be read in conjunction with the roofing manufacturers' standard penetration details.



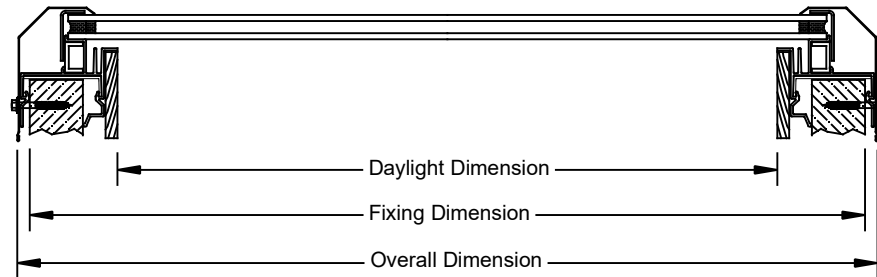
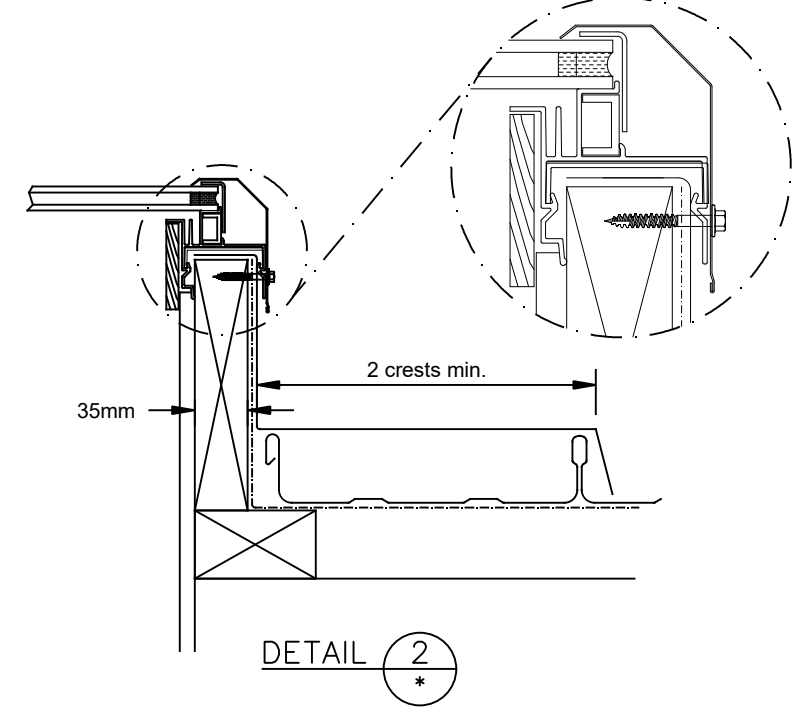
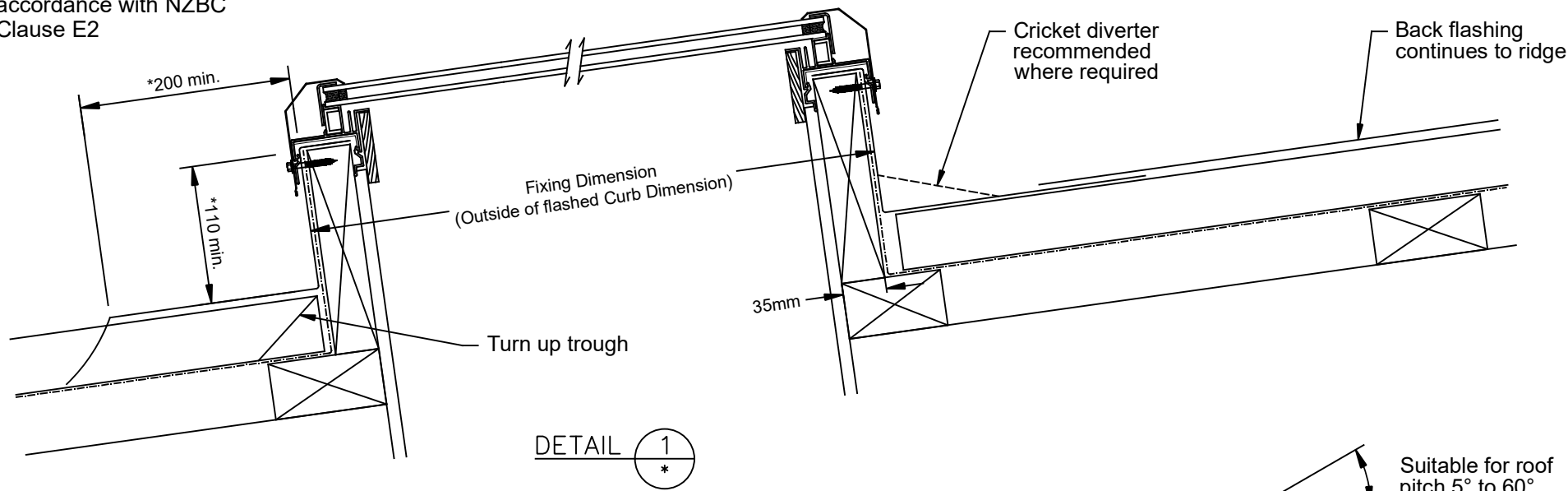
ADLUX Industries Ltd. ©  
36 Olive Road, Penrose  
P.O. Box 13866, Auckland  
New Zealand.  
Ph: (09) 636 6866  
Fax: (09) 636 6846  
Email: sales@adlux.co.nz

## ECO ROOF WINDOW (Double Glazed) STANDING SEAM ROOFING PROFILE PITCH 5° TO 60°

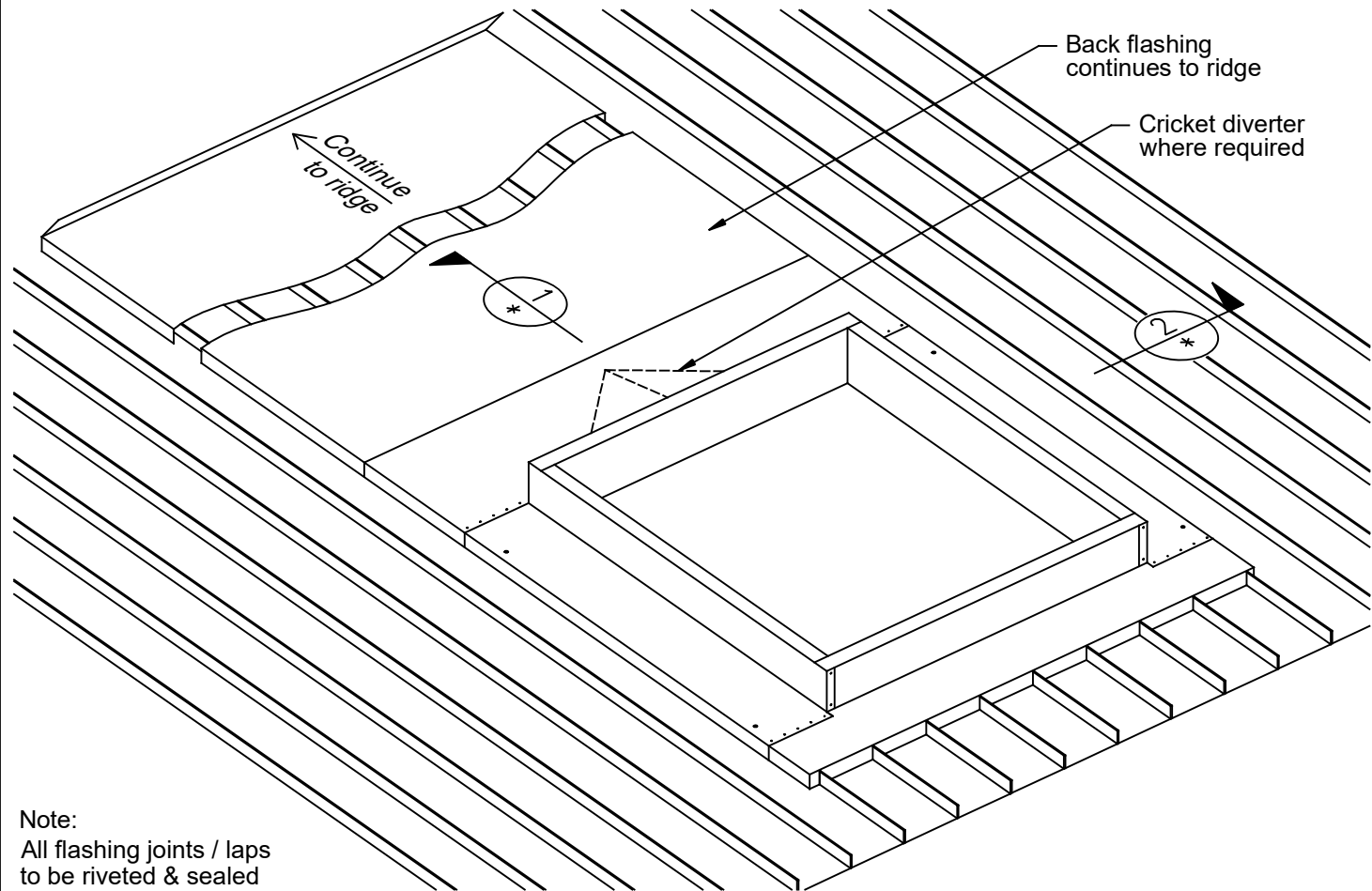
DATE: 19/01/2021

DWG No: RWA-SS

\* Dimensions to be in accordance with NZBC Clause E2



ECO Roof Window			
Model No.	Daylight Dimension (mm)	Fixing Dimension (mm)	Overall Dimension (mm)
RWA77	572 x 572	692 x 692	717 x 717
RWA86	615 x 465	735 x 585	760 x 610
RWA99	775 x 775	895 x 895	920 x 920
RWA106	895 x 465	1015 x 585	1040 x 610
RWA107	895 x 572	1015 x 692	1040 x 717
RWA108	895 x 695	1015 x 815	1040 x 840
RWA128	1095 x 695	1215 x 815	1240 x 840
RWA137	1181 x 572	1301 x 692	1326 x 717
RWA139	1181 x 775	1301 x 895	1326 x 920
RWA148	1315 x 695	1435 x 815	1460 x 840
RWA197	1775 x 572	1895 x 692	1920 x 717
RWA1010	895 x 895	1015 x 1015	1040 x 1040
RWA1212	1095 x 1055	1215 x 1175	1240 x 1200
RWA1313	1181 x 1181	1301 x 1301	1326 x 1326
RWA1412	1315 x 1055	1435 x 1175	1460 x 1200



Note:  
All flashing joints / laps  
to be riveted & sealed

Not to scale, do not scale from drawing. All details are generic in nature and should be read in conjunction with the roofing manufacturers' standard penetration details.

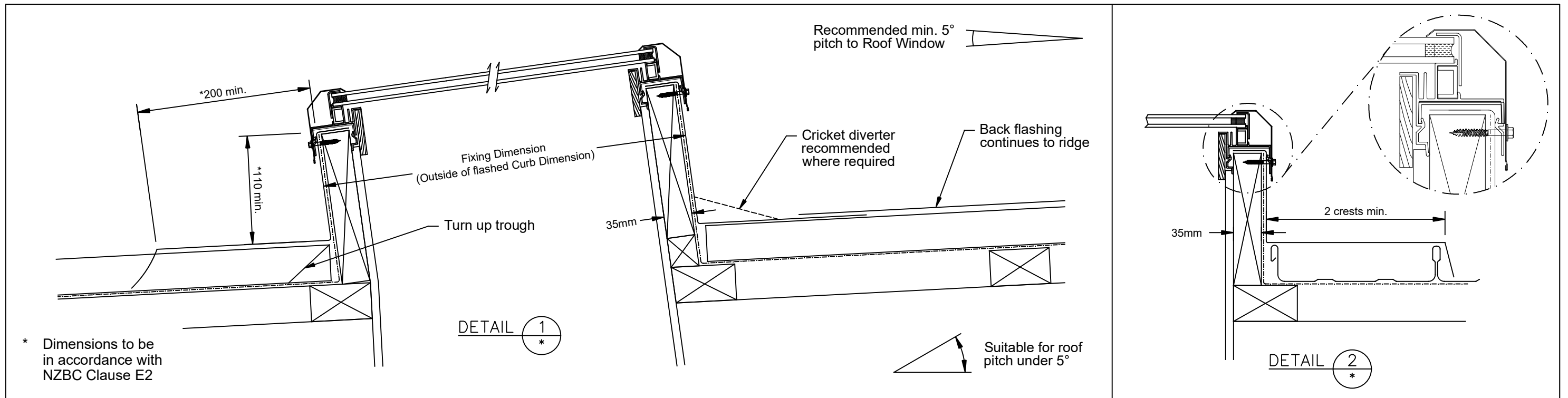


ADLUX Industries Ltd. ©  
36 Olive Road, Penrose  
P.O. Box 13866, Auckland  
New Zealand.  
Ph: (09) 636 6866  
Fax: (09) 636 6846  
Email: sales@adlux.co.nz

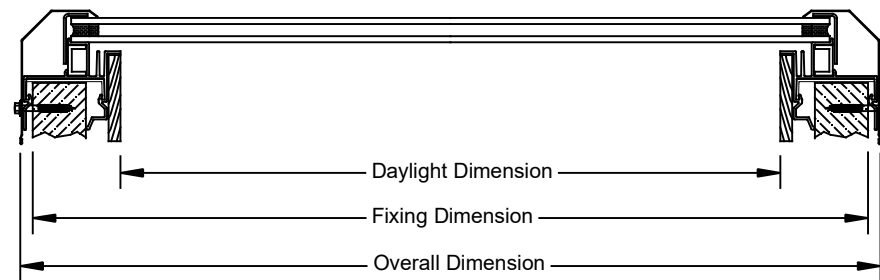
## ECO ROOF WINDOW (Double Glazed) TROUGH SECTION PROFILE (Back Tray) PITCH 5° TO 60°

DATE: 19/01/2021

DWG No: RWA-TR-BT

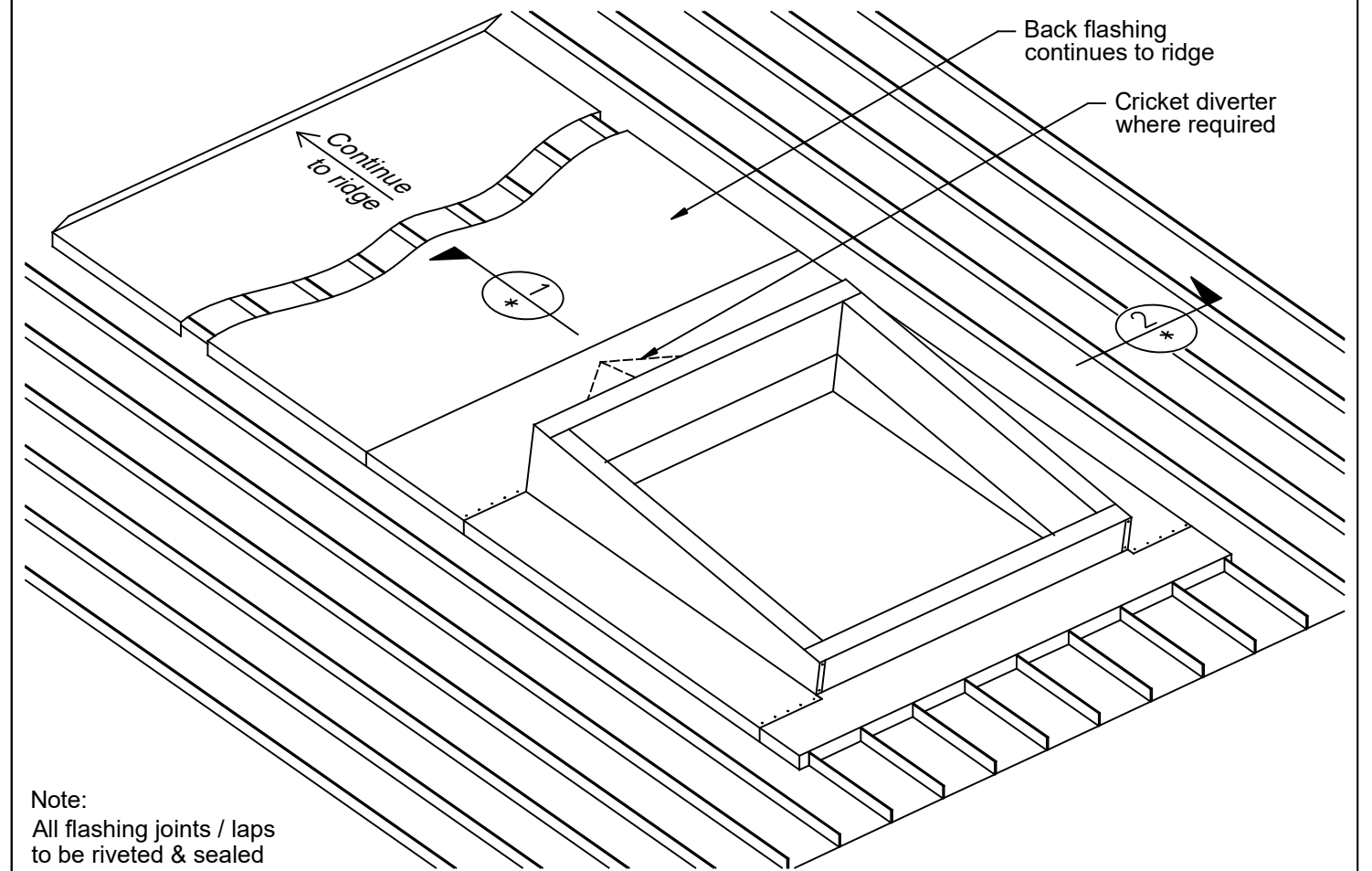


\* Dimensions to be in accordance with NZBC Clause E2



ECO Roof Window			
Model No.	Daylight Dimension (mm)	Fixing Dimension (mm)	Overall Dimension (mm)
RWA77	572 x 572	692 x 692	717 x 717
RWA86	615 x 465	735 x 585	760 x 610
RWA99	775 x 775	895 x 895	920 x 920
RWA106	895 x 465	1015 x 585	1040 x 610
RWA107	895 x 572	1015 x 692	1040 x 717
RWA108	895 x 695	1015 x 815	1040 x 840
RWA128	1095 x 695	1215 x 815	1240 x 840
RWA137	1181 x 572	1301 x 692	1326 x 717
RWA139	1181 x 775	1301 x 895	1326 x 920
RWA148	1315 x 695	1435 x 815	1460 x 840
RWA197	1775 x 572	1895 x 692	1920 x 717
RWA1010	895 x 895	1015 x 1015	1040 x 1040
RWA1212	1095 x 1055	1215 x 1175	1240 x 1200
RWA1313	1181 x 1181	1301 x 1301	1326 x 1326
RWA1412	1315 x 1055	1435 x 1175	1460 x 1200

Not to scale, do not scale from drawing. All details are generic in nature and should be read in conjunction with the roofing manufacturers' standard penetration details.



Note:  
All flashing joints / laps to be riveted & sealed



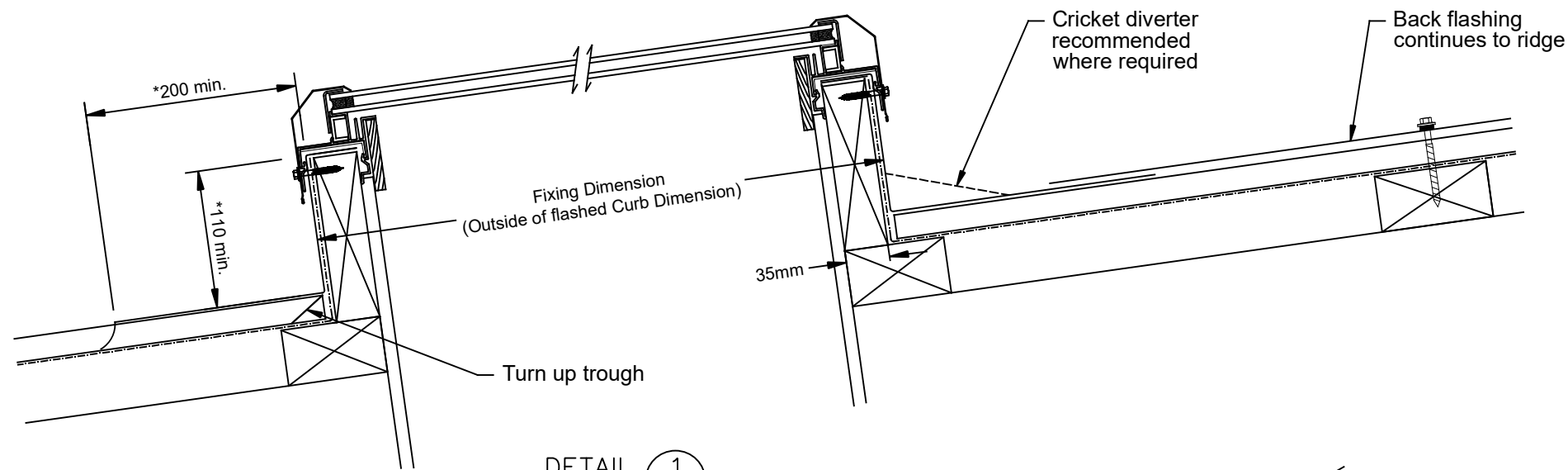
ADLUX Industries Ltd. ©  
36 Olive Road, Penrose  
P.O. Box 13866, Auckland  
New Zealand.  
Ph: (09) 636 6866  
Fax: (09) 636 6846  
Email: sales@adlux.co.nz

## ECO ROOF WINDOW (Double Glazed) TROUGH SECTION PROFILE (Back Tray with Pitched Upstand) For roofs less than 5°

DATE: 19/01/2021

DWG No: RWA-TR-BT-PU

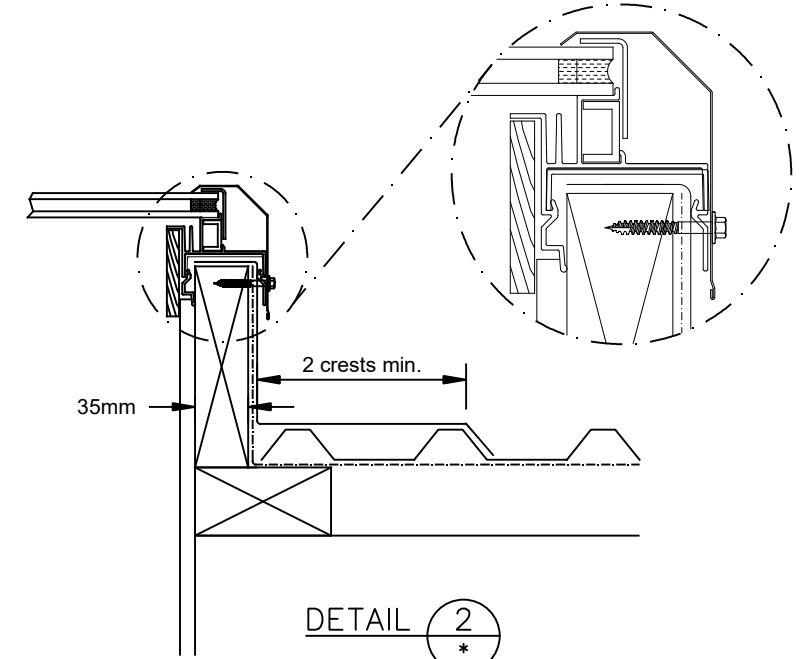




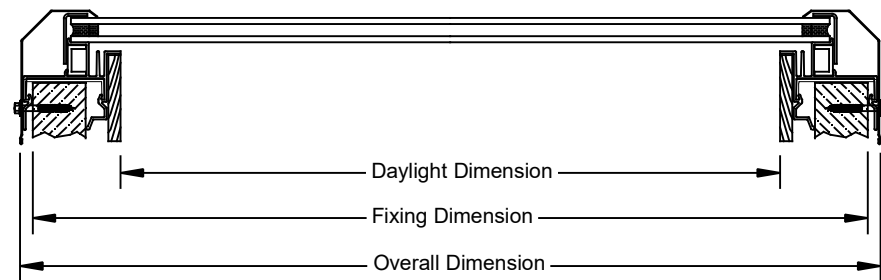
DETAIL 1

\* Dimensions to be in accordance with NZBC Clause E2

Suitable for roof pitch 5° to 60°

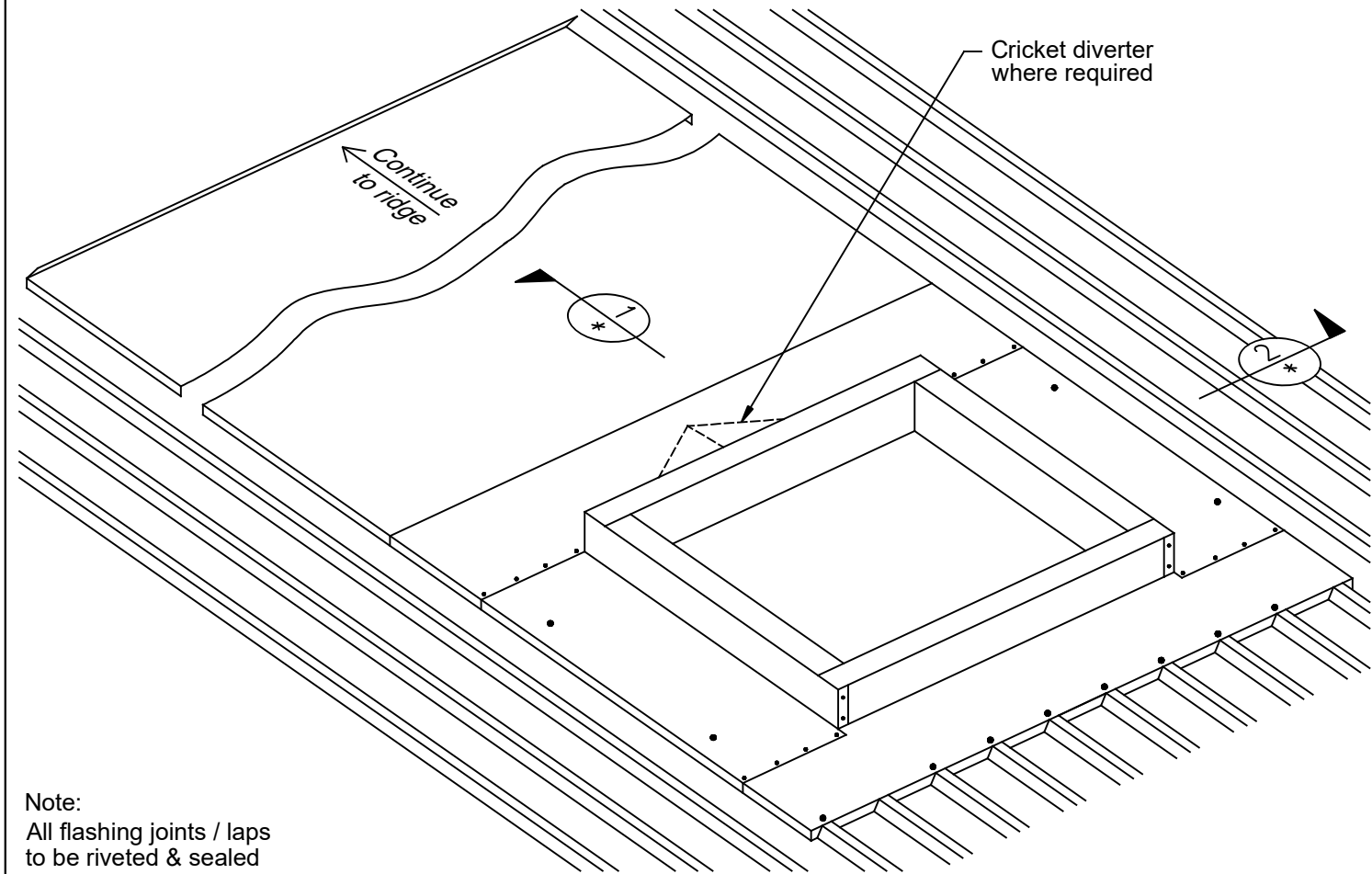


DETAIL 2



ECO Roof Window			
Model No.	Daylight Dimension (mm)	Fixing Dimension (mm)	Overall Dimension (mm)
RWA77	572 x 572	692 x 692	717 x 717
RWA86	615 x 465	735 x 585	760 x 610
RWA99	775 x 775	895 x 895	920 x 920
RWA106	895 x 465	1015 x 585	1040 x 610
RWA107	895 x 572	1015 x 692	1040 x 717
RWA108	895 x 695	1015 x 815	1040 x 840
RWA128	1095 x 695	1215 x 815	1240 x 840
RWA137	1181 x 572	1301 x 692	1326 x 717
RWA139	1181 x 775	1301 x 895	1326 x 920
RWA148	1315 x 695	1435 x 815	1460 x 840
RWA197	1775 x 572	1895 x 692	1920 x 717
RWA1010	895 x 895	1015 x 1015	1040 x 1040
RWA1212	1095 x 1055	1215 x 1175	1240 x 1200
RWA1313	1181 x 1181	1301 x 1301	1326 x 1326
RWA1412	1315 x 1055	1435 x 1175	1460 x 1200

Not to scale, do not scale from drawing. All details are generic in nature and should be read in conjunction with the roofing manufacturers' standard penetration details.



Note:  
All flashing joints / laps to be riveted & sealed

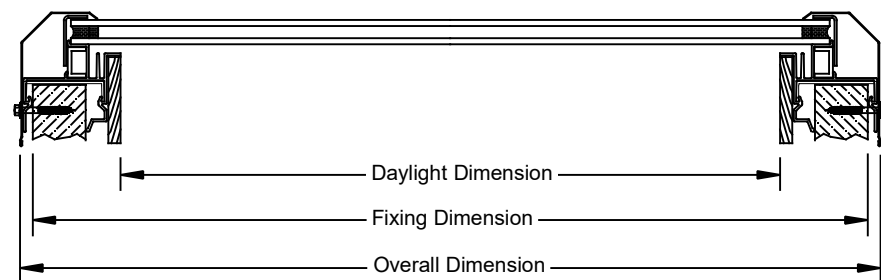
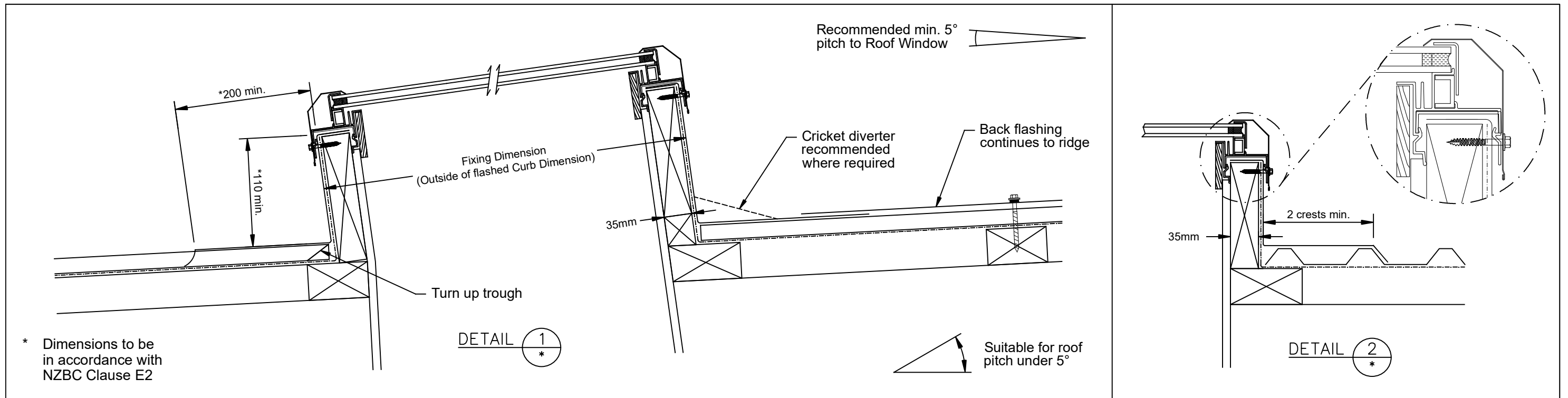


ADLUX Industries Ltd. ©  
36 Olive Road, Penrose  
P.O. Box 13866, Auckland  
New Zealand.  
Ph: (09) 636 6866  
Fax: (09) 636 6846  
Email: sales@adlux.co.nz

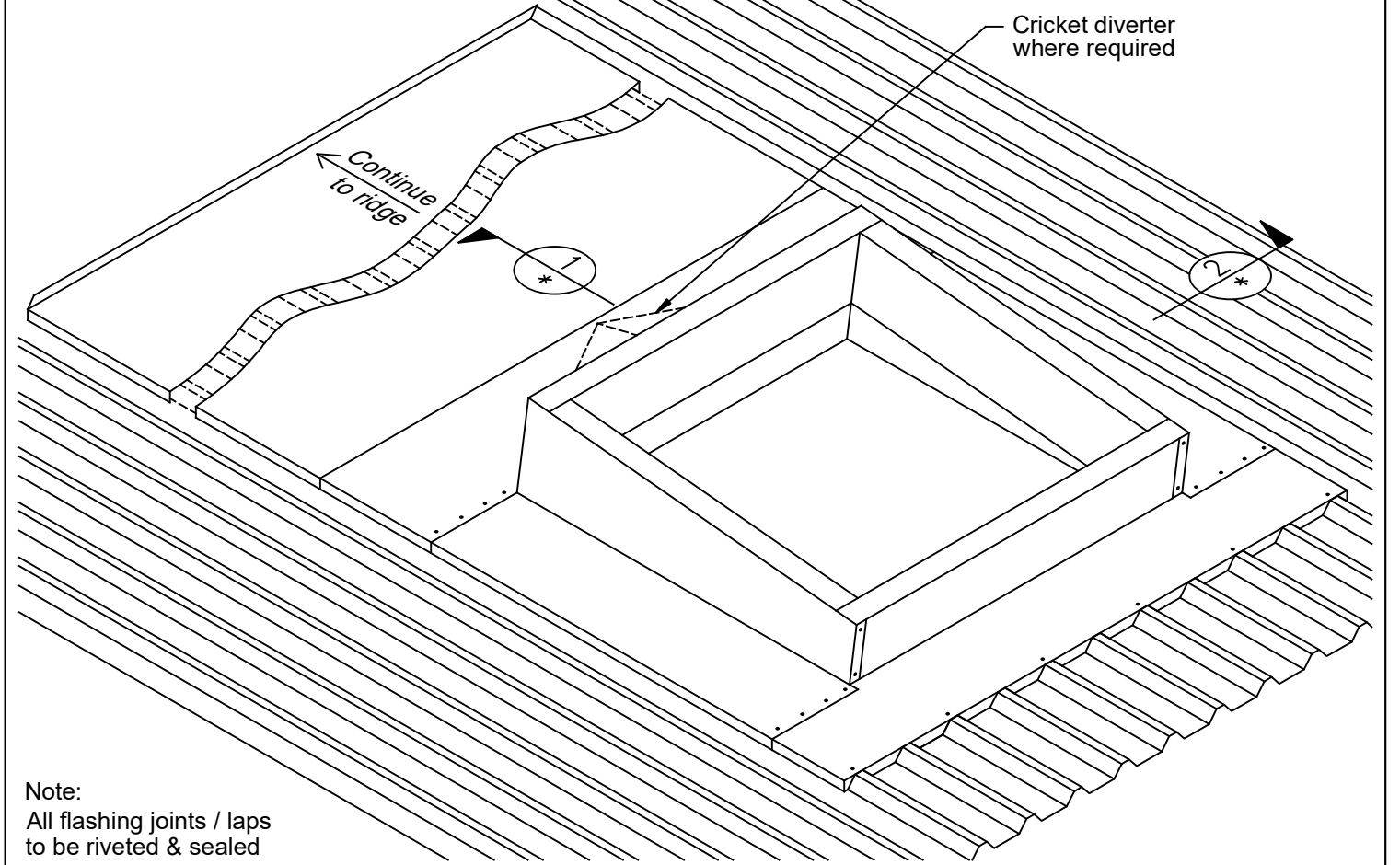
**ECO ROOF WINDOW (Double Glazed)**  
**TRAPEZOID ROOFING PROFILE (Back Tray)**  
**PITCH 5° TO 60°**

DATE: 19/01/2021

DWG No: RWA-TZ-BT



ECO Roof Window			
Model No.	Daylight Dimension (mm)	Fixing Dimension (mm)	Overall Dimension (mm)
RWA77	572 x 572	692 x 692	717 x 717
RWA86	615 x 465	735 x 585	760 x 610
RWA99	775 x 775	895 x 895	920 x 920
RWA106	895 x 465	1015 x 585	1040 x 610
RWA107	895 x 572	1015 x 692	1040 x 717
RWA108	895 x 695	1015 x 815	1040 x 840
RWA128	1095 x 695	1215 x 815	1240 x 840
RWA137	1181 x 572	1301 x 692	1326 x 717
RWA139	1181 x 775	1301 x 895	1326 x 920
RWA148	1315 x 695	1435 x 815	1460 x 840
RWA197	1775 x 572	1895 x 692	1920 x 717
RWA1010	895 x 895	1015 x 1015	1040 x 1040
RWA1212	1095 x 1055	1215 x 1175	1240 x 1200
RWA1313	1181 x 1181	1301 x 1301	1326 x 1326
RWA1412	1315 x 1055	1435 x 1175	1460 x 1200



Not to scale, do not scale from drawing. All details are generic in nature and should be read in conjunction with the roofing manufacturers' standard penetration details.

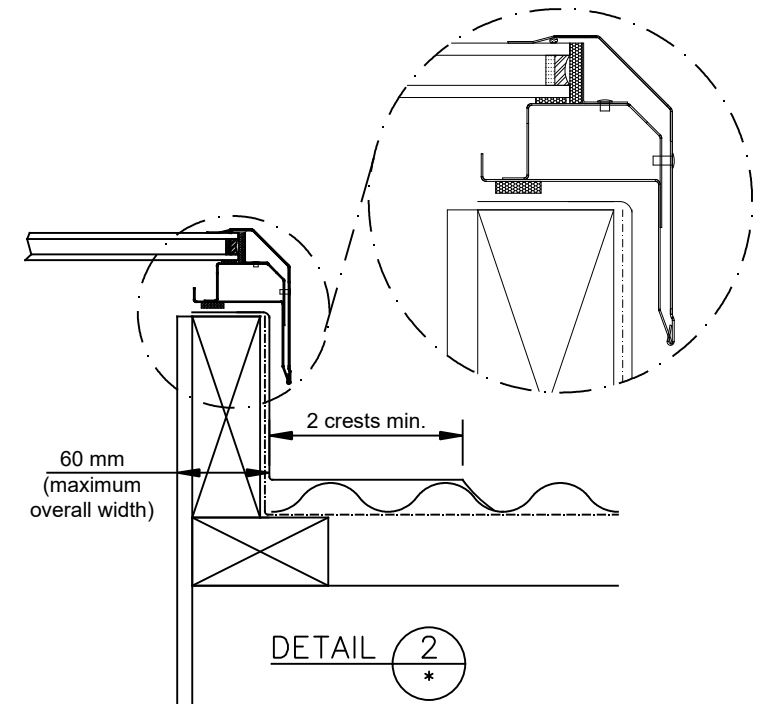
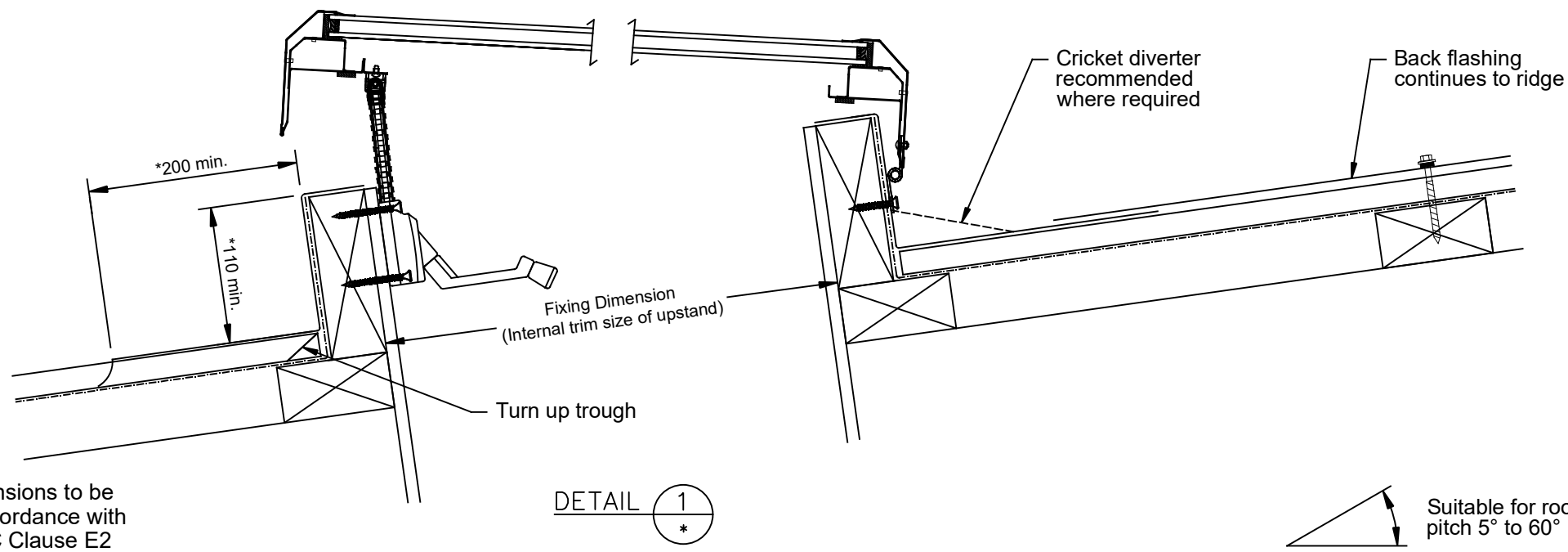


ADLUX Industries Ltd. ©  
 36 Olive Road, Penrose  
 P.O. Box 13866, Auckland  
 New Zealand.  
 Ph: (09) 636 6866  
 Fax: (09) 636 6846  
 Email: sales@adlux.co.nz

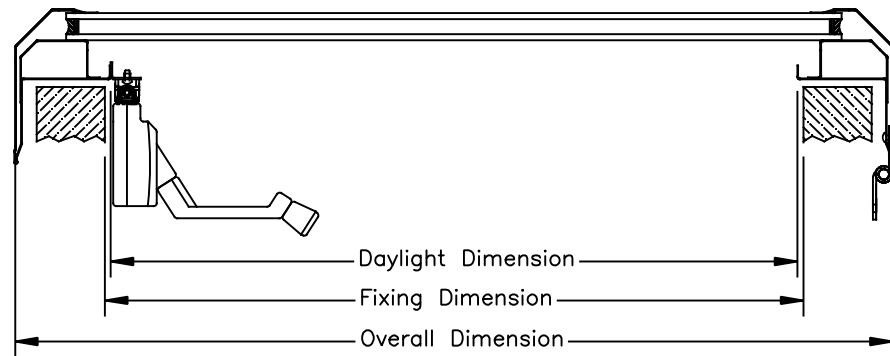
## ECO ROOF WINDOW (Double Glazed) TRAPEZOID ROOFING PROFILE (Back Tray with Pitched Upstand) For roofs less than 5°

DATE: 19/01/2021

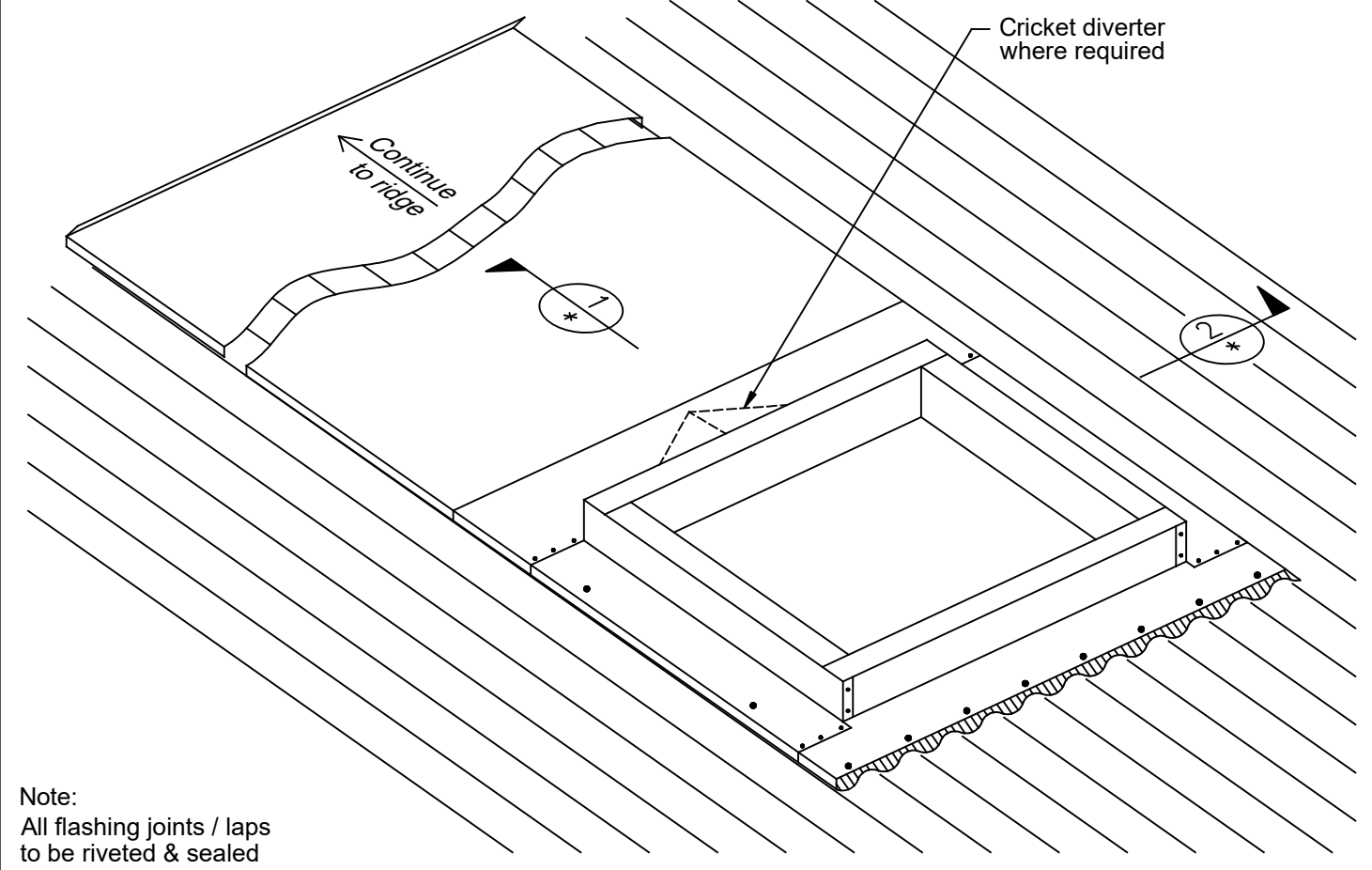
DWG No: RWA-TZ-BT-PU



\* Dimensions to be in accordance with NZBC Clause E2



Roof Window Opening - Sash	DAYLIGHT DIMENSION		FIXING DIMENSION		OVERALL DIMENSION	
Model No.						
RWS77	575	x	575	680	x	680
RWS86	620	x	470	725	x	575
RWS99	780	x	780	885	x	885
RWS106	900	x	470	1005	x	575
RWS107	900	x	575	1005	x	680
RWS108	900	x	700	1005	x	805
RWS128	1100	x	700	1205	x	805
RWS137	1185	x	575	1290	x	680
RWS139	1185	x	780	1290	x	885
RWS148	1320	x	700	1425	x	805
RWS1010	900	x	900	1005	x	1005



Note:  
All flashing joints / laps to be riveted & sealed

Not to scale, do not scale from drawing. All details are generic in nature and should be read in conjunction with the roofing manufacturers' standard penetration details.



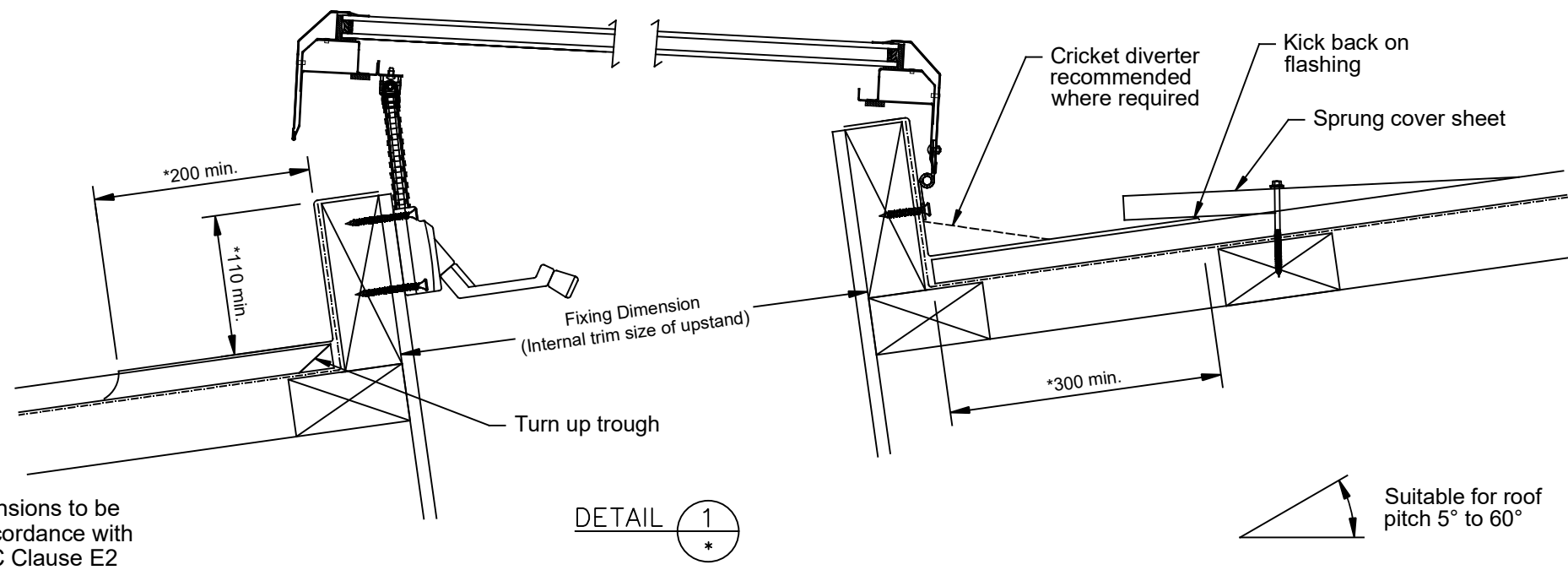
ADLUX Industries Ltd. ©  
36 Olive Road, Penrose  
P.O. Box 13866, Auckland  
New Zealand.  
Ph: (09) 636 6866  
Fax: (09) 636 6846  
Email: sales@adlux.co.nz

## ROOF WINDOW OPENING (Double Glazed) SASH CORRUGATED ROOFING PROFILE (Back Tray) PITCH 5° TO 60°

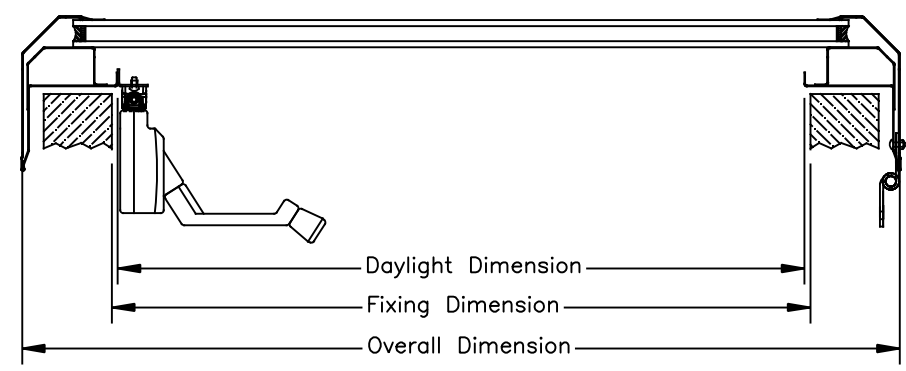
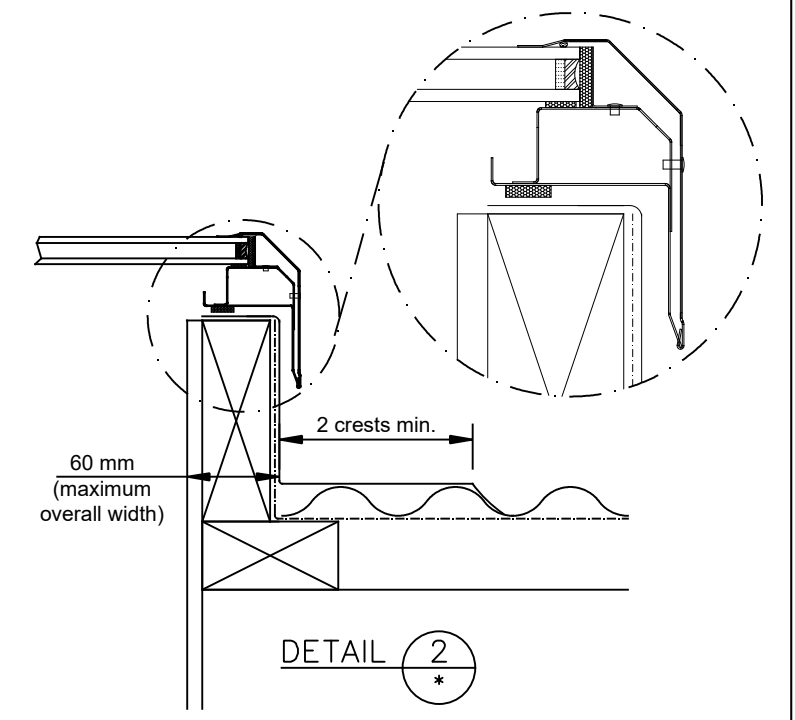
DATE: 07/01/2021

DWG No: RWS-CR-BT

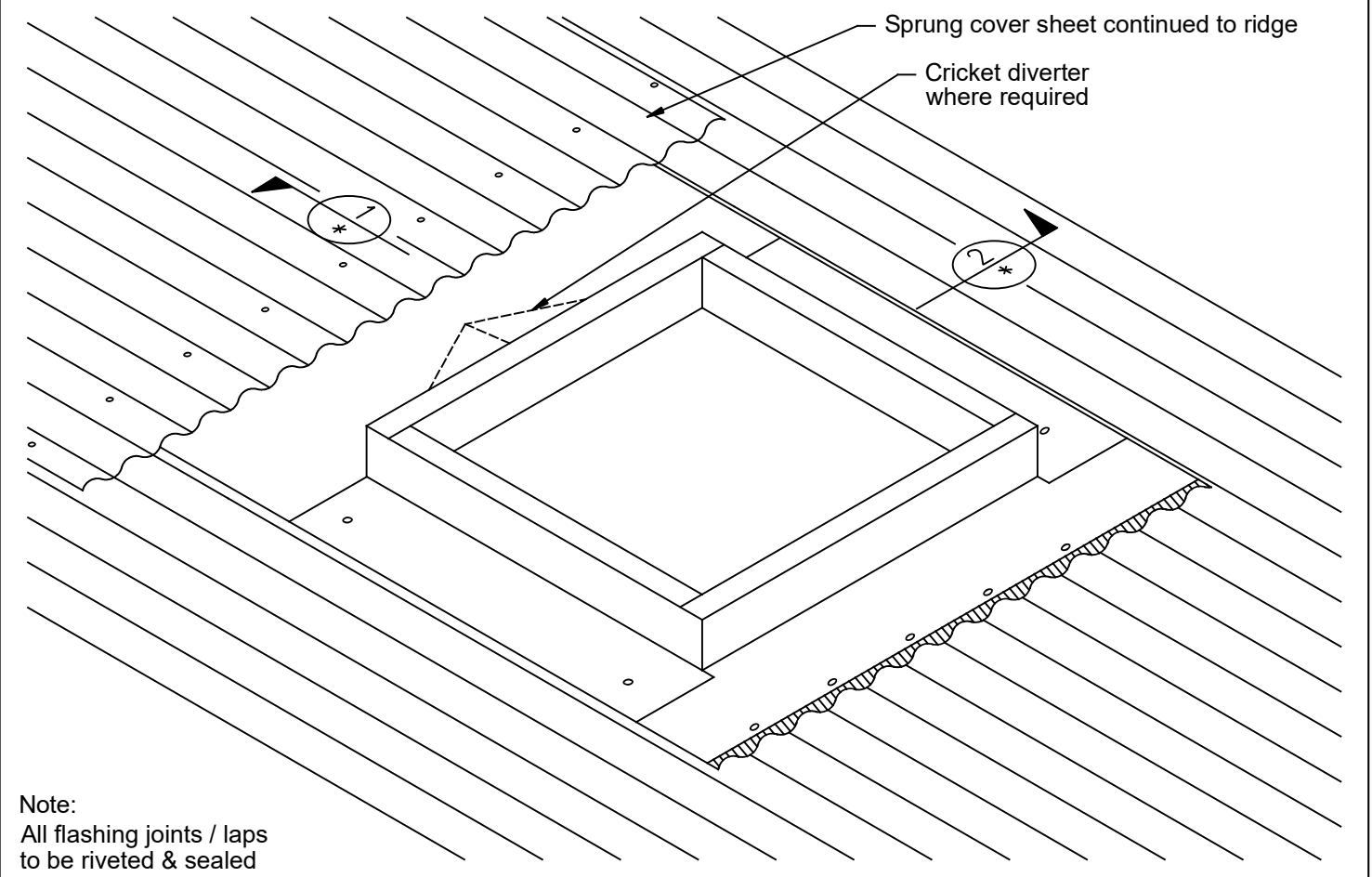




\* Dimensions to be in accordance with NZBC Clause E2



Roof Window Opening - Sash	DAYLIGHT DIMENSION		FIXING DIMENSION		OVERALL DIMENSION	
Model No.						
RWS77	575	x	575	680	x	680
RWS86	620	x	470	725	x	575
RWS99	780	x	780	885	x	885
RWS106	900	x	470	1005	x	575
RWS107	900	x	575	1005	x	680
RWS108	900	x	700	1005	x	805
RWS128	1100	x	700	1205	x	805
RWS137	1185	x	575	1290	x	680
RWS139	1185	x	780	1290	x	885
RWS148	1320	x	700	1425	x	805
RWS1010	900	x	900	1005	x	1005



Not to scale, do not scale from drawing. All details are generic in nature and should be read in conjunction with the roofing manufacturers' standard penetration details.



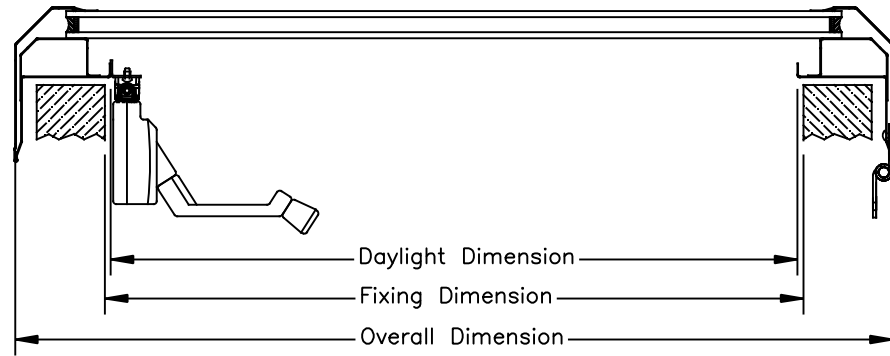
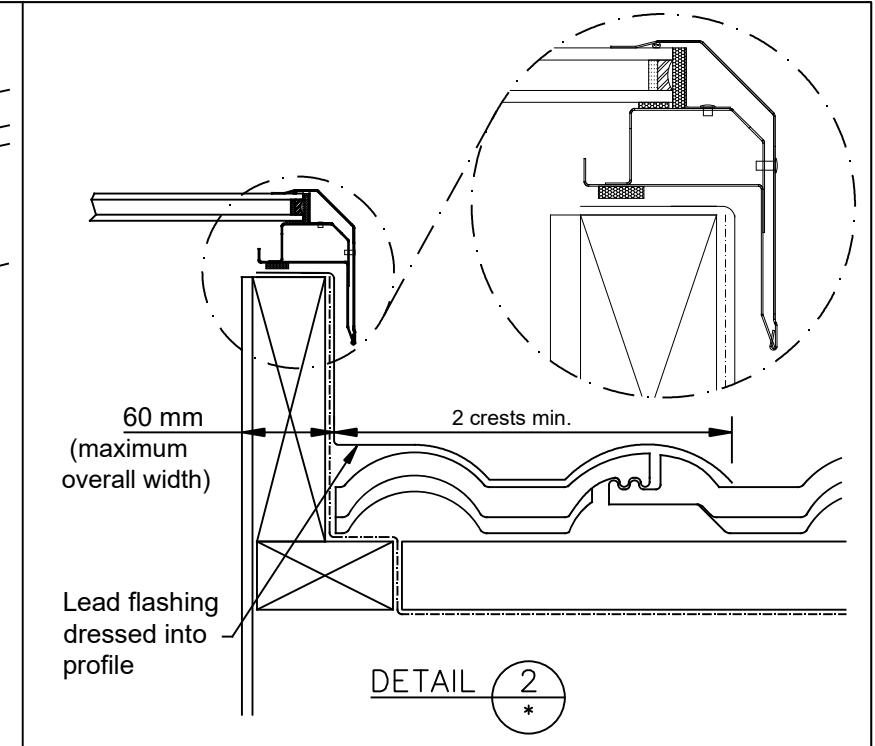
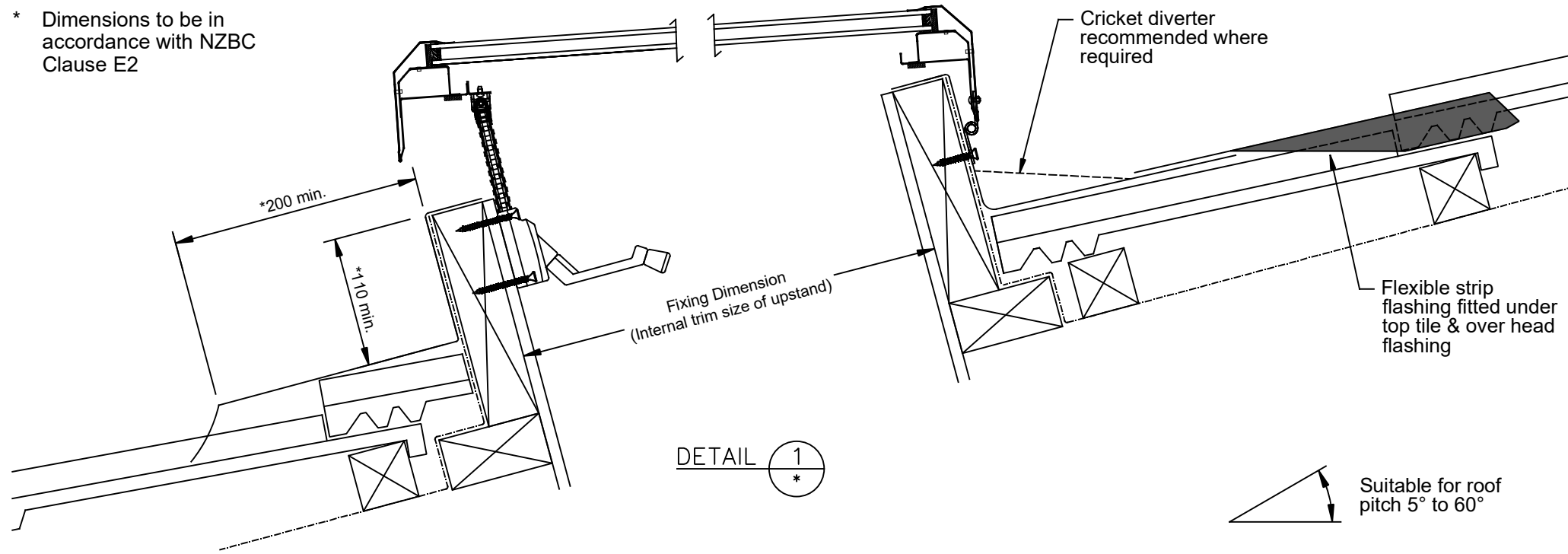
ADLUX Industries Ltd. ©  
 36 Olive Road, Penrose  
 P.O. Box 13866, Auckland  
 New Zealand.  
 Ph: (09) 636 6866  
 Fax: (09) 636 6846  
 Email: sales@adlux.co.nz

## ROOF WINDOW OPENING (Double Glazed) SASH CORRUGATED ROOFING PROFILE (Sprung Sheet) PITCH 5° TO 60°

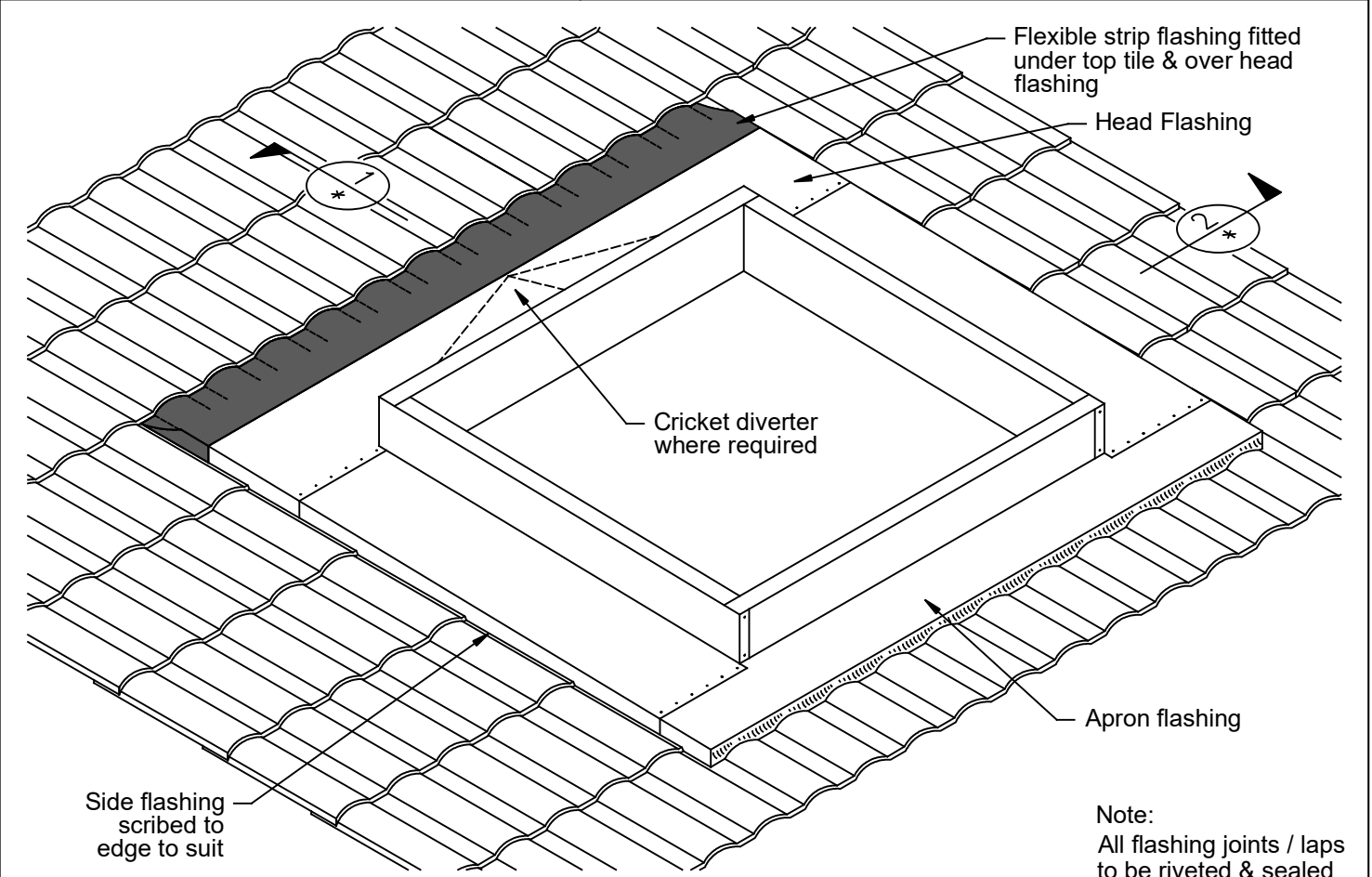
DATE: 07/01/2021

DWG No: RWS-CR-SS

\* Dimensions to be in accordance with NZBC Clause E2



Roof Window Opening - Sash	DAYLIGHT DIMENSION		FIXING DIMENSION		OVERALL DIMENSION				
Model No.									
RWS77	575	x	575	680	x	680	705	x	705
RWS86	620	x	470	725	x	575	750	x	600
RWS99	780	x	780	885	x	885	910	x	910
RWS106	900	x	470	1005	x	575	1030	x	600
RWS107	900	x	575	1005	x	680	1030	x	705
RWS108	900	x	700	1005	x	805	1030	x	830
RWS128	1100	x	700	1205	x	805	1230	x	830
RWS137	1185	x	575	1290	x	680	1315	x	705
RWS139	1185	x	780	1290	x	885	1315	x	910
RWS148	1320	x	700	1425	x	805	1450	x	830
RWS1010	900	x	900	1005	x	1005	1030	x	1030



Note:  
All flashing joints / laps to be riveted & sealed

Not to scale, do not scale from drawing. All details are generic in nature and should be read in conjunction with the roofing manufacturers' standard penetration details.



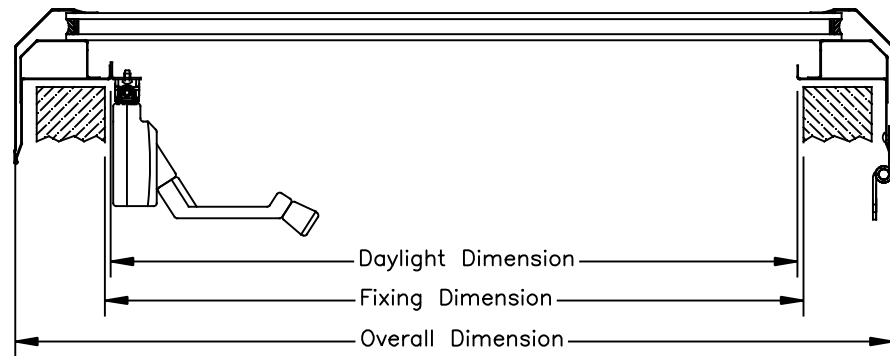
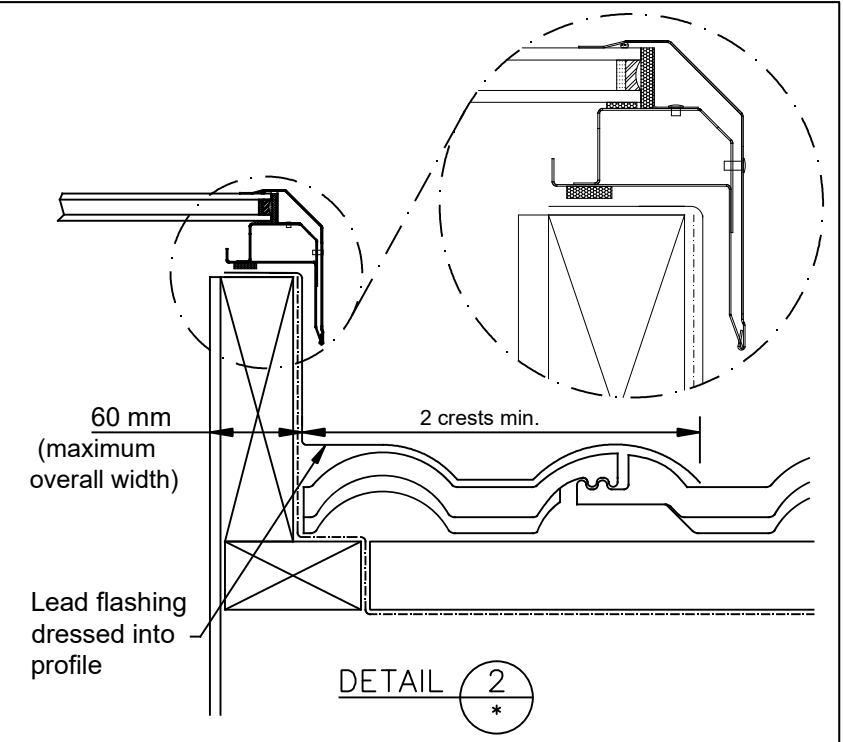
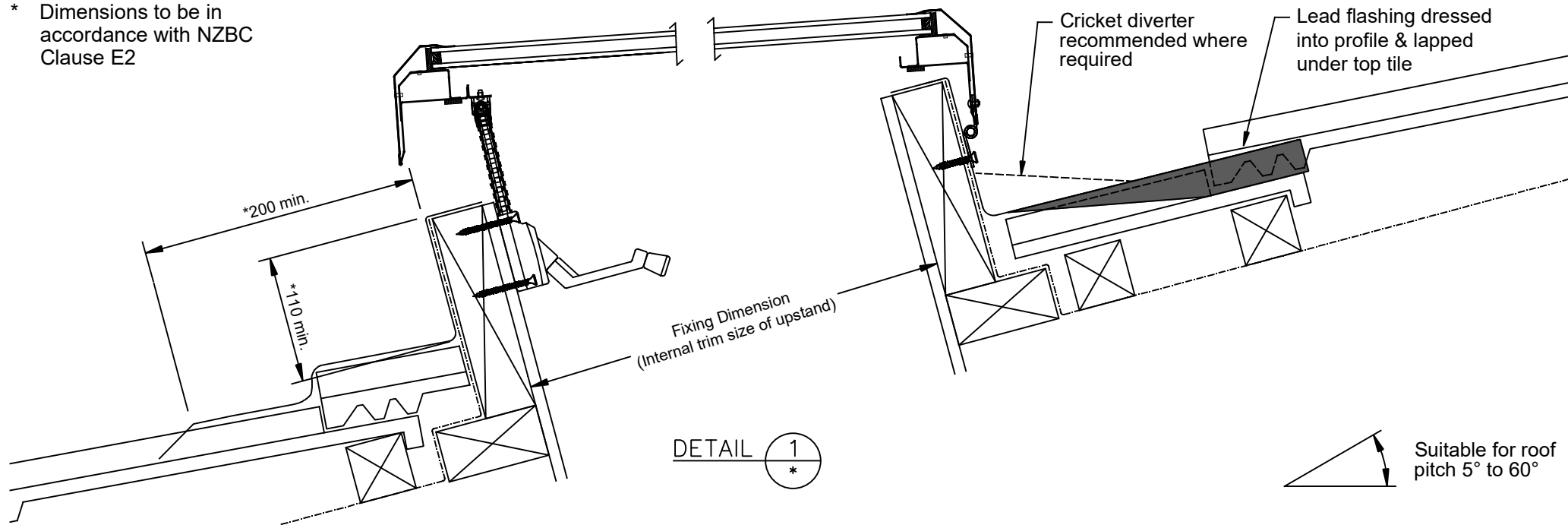
ADLUX Industries Ltd. ©  
36 Olive Road, Penrose  
P.O. Box 13866, Auckland  
New Zealand.  
Ph: (09) 636 6866  
Fax: (09) 636 6846  
Email: sales@adlux.co.nz

**ROOF WINDOW OPENING (Double Glazed) SASH  
CONCRETE ROOFING TILE (Coloursteel Flashing)  
PITCH 5° TO 60°**

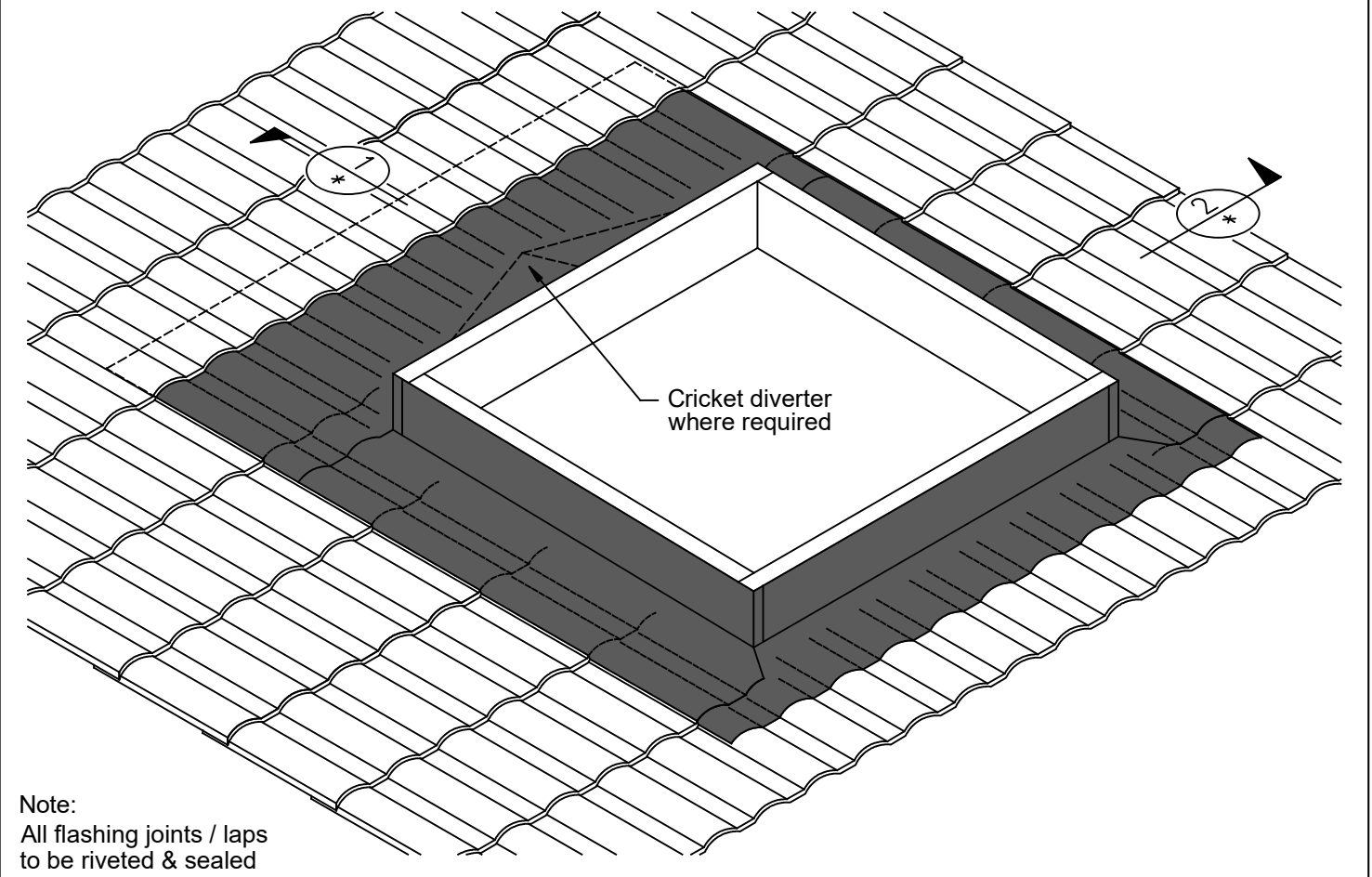
DATE: 07/01/2021

DWG No: RWS-CT-CS

\* Dimensions to be in accordance with NZBC Clause E2



Roof Window Opening - Sash	DAYLIGHT DIMENSION		FIXING DIMENSION		OVERALL DIMENSION	
Model No.						
RWS77	575	x	575	680	x	680
RWS86	620	x	470	725	x	575
RWS99	780	x	780	885	x	885
RWS106	900	x	470	1005	x	575
RWS107	900	x	575	1005	x	680
RWS108	900	x	700	1005	x	805
RWS128	1100	x	700	1205	x	805
RWS137	1185	x	575	1290	x	680
RWS139	1185	x	780	1290	x	885
RWS148	1320	x	700	1425	x	805
RWS1010	900	x	900	1005	x	1005



Not to scale, do not scale from drawing. All details are generic in nature and should be read in conjunction with the roofing manufacturers' standard penetration details.



ADLUX Industries Ltd. ©  
 36 Olive Road, Penrose  
 P.O. Box 13866, Auckland  
 New Zealand.  
 Ph: (09) 636 6866  
 Fax: (09) 636 6846  
 Email: sales@adlux.co.nz

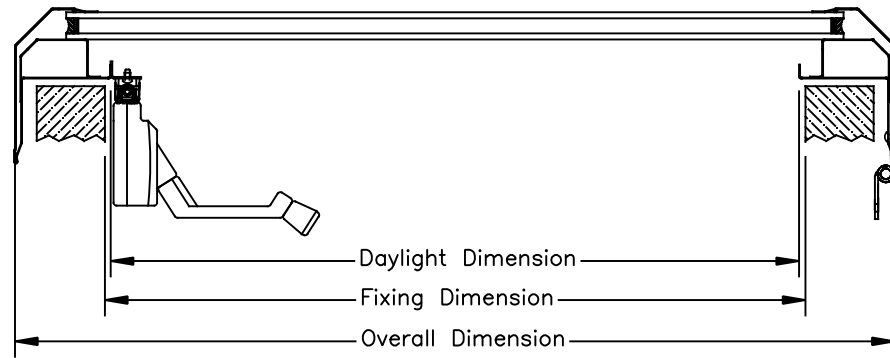
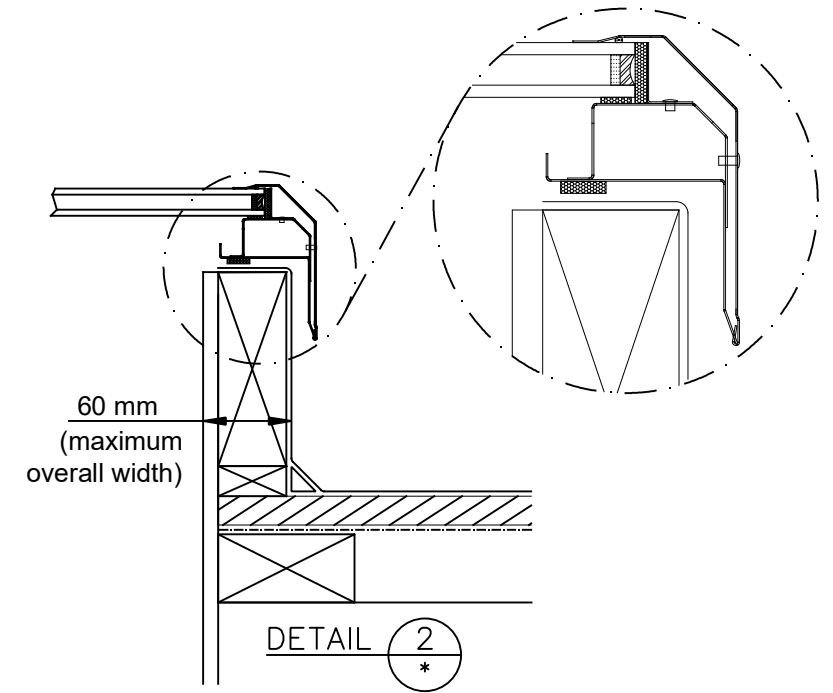
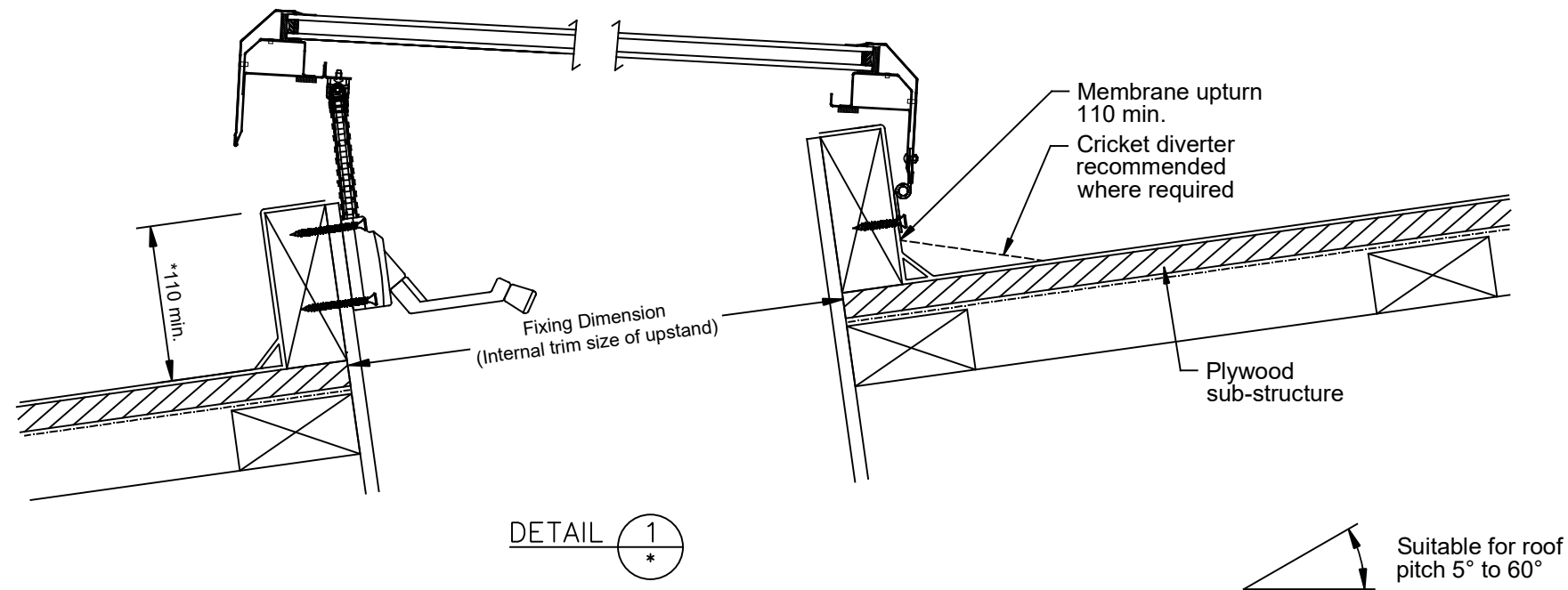
**ROOF WINDOW OPENING (Double Glazed) SASH  
 CONCRETE ROOFING TILE (Lead Flashing)  
 PITCH 5° TO 60°**

DATE: 07/01/2021

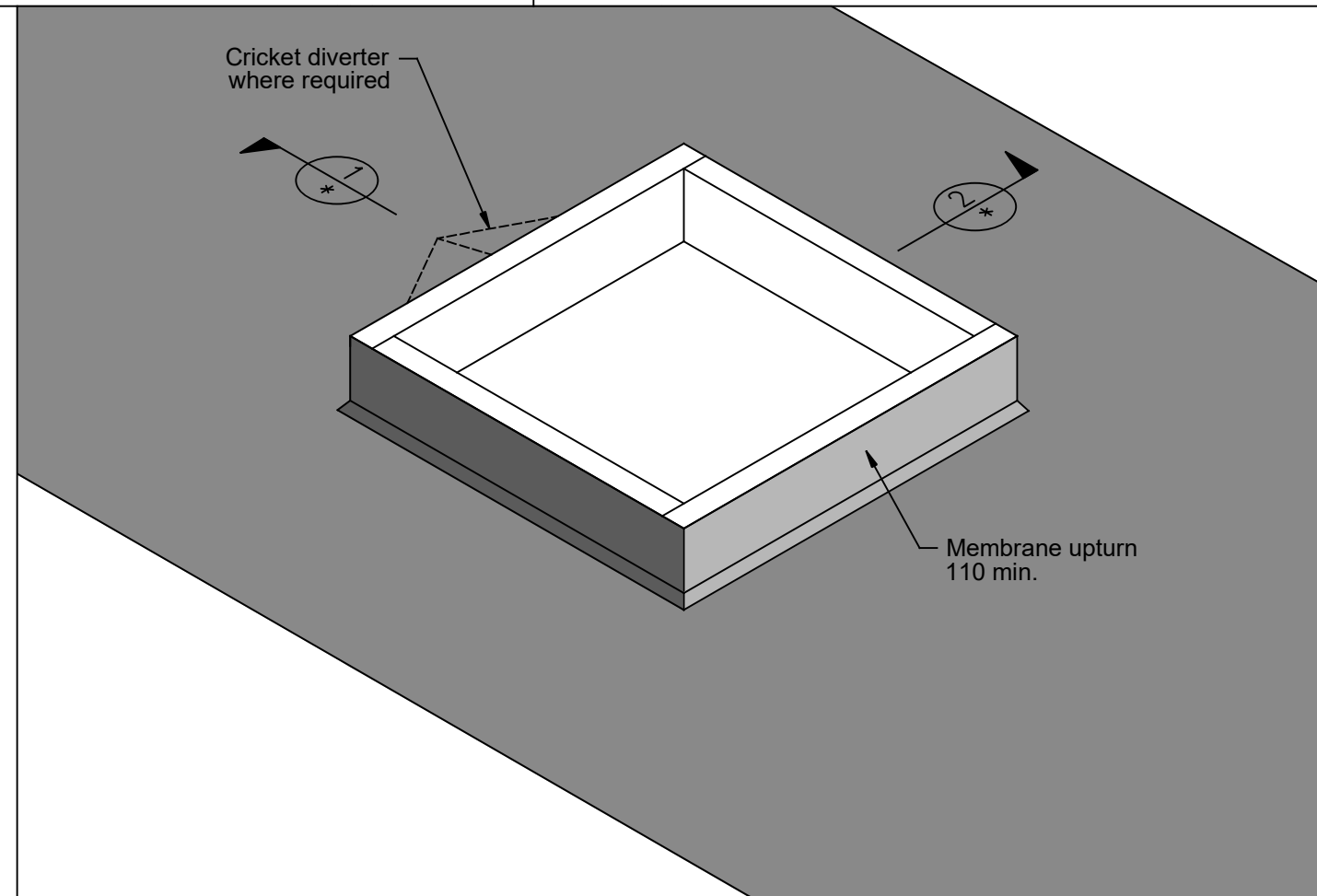
DWG No: RWS-CT-LD



\* Dimensions to be in accordance with NZBC Clause E2



Roof Window Opening - Sash									
Model No.	DAYLIGHT DIMENSION		FIXING DIMENSION		OVERALL DIMENSION				
RWS77	575	x	575	680	x	680	705	x	705
RWS86	620	x	470	725	x	575	750	x	600
RWS99	780	x	780	885	x	885	910	x	910
RWS106	900	x	470	1005	x	575	1030	x	600
RWS107	900	x	575	1005	x	680	1030	x	705
RWS108	900	x	700	1005	x	805	1030	x	830
RWS128	1100	x	700	1205	x	805	1230	x	830
RWS137	1185	x	575	1290	x	680	1315	x	705
RWS139	1185	x	780	1290	x	885	1315	x	910
RWS148	1320	x	700	1425	x	805	1450	x	830
RWS1010	900	x	900	1005	x	1005	1030	x	1030



Not to scale, do not scale from drawing. All details are generic in nature and should be read in conjunction with the roofing manufacturers' standard penetration details.



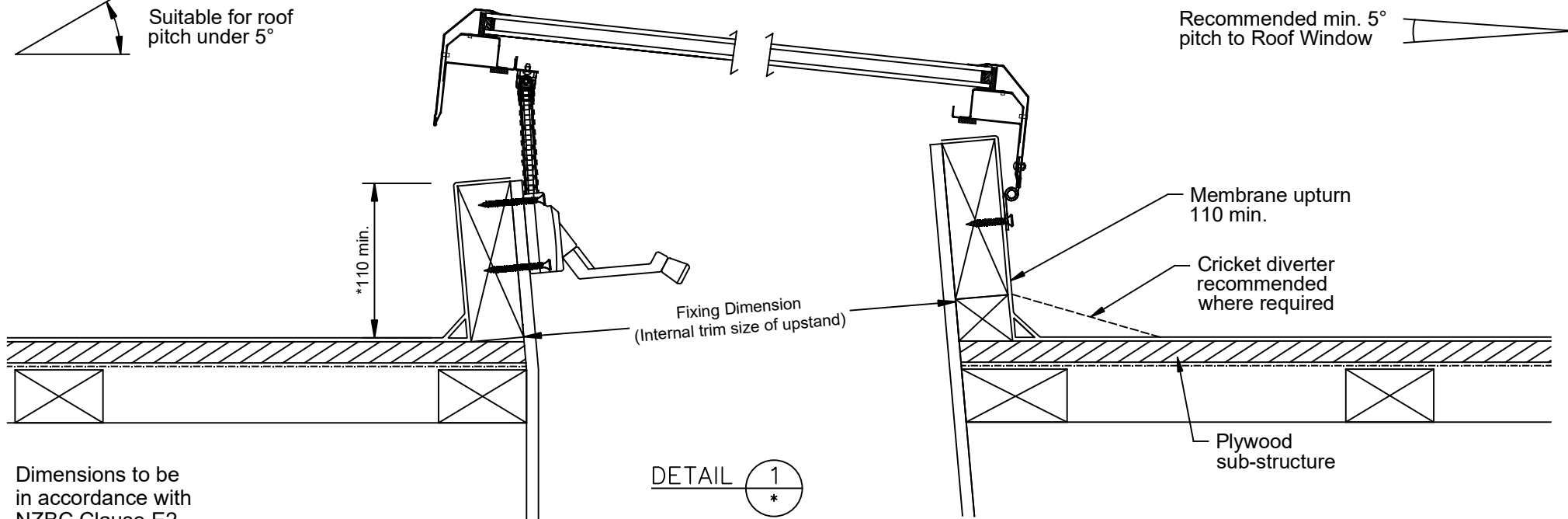
ADLUX Industries Ltd. ©  
 36 Olive Road, Penrose  
 P.O. Box 13866, Auckland  
 New Zealand.  
 Ph: (09) 636 6866  
 Fax: (09) 636 6846  
 Email: sales@adlux.co.nz

## ROOF WINDOW OPENING (Double Glazed) SASH MEMBRANE ROOFING PITCH 5° TO 60°

DATE: 07/01/2021

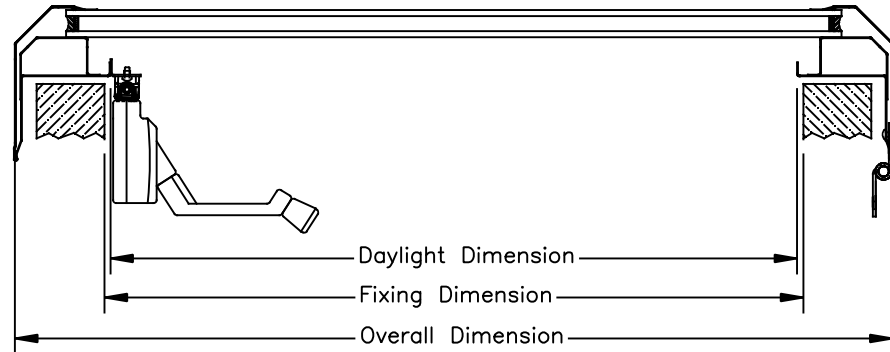
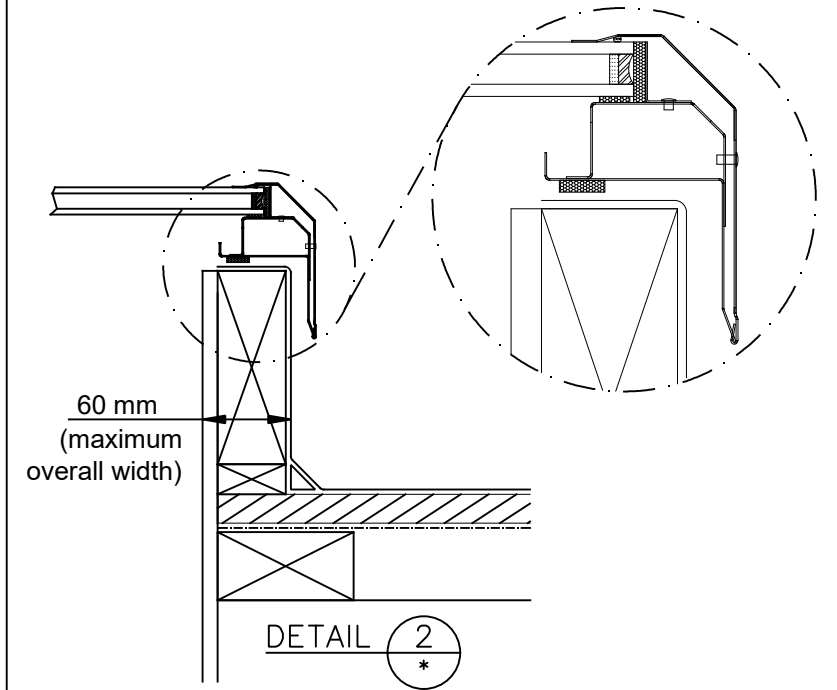
DWG No: RWS-MEM

Suitable for roof pitch under 5°

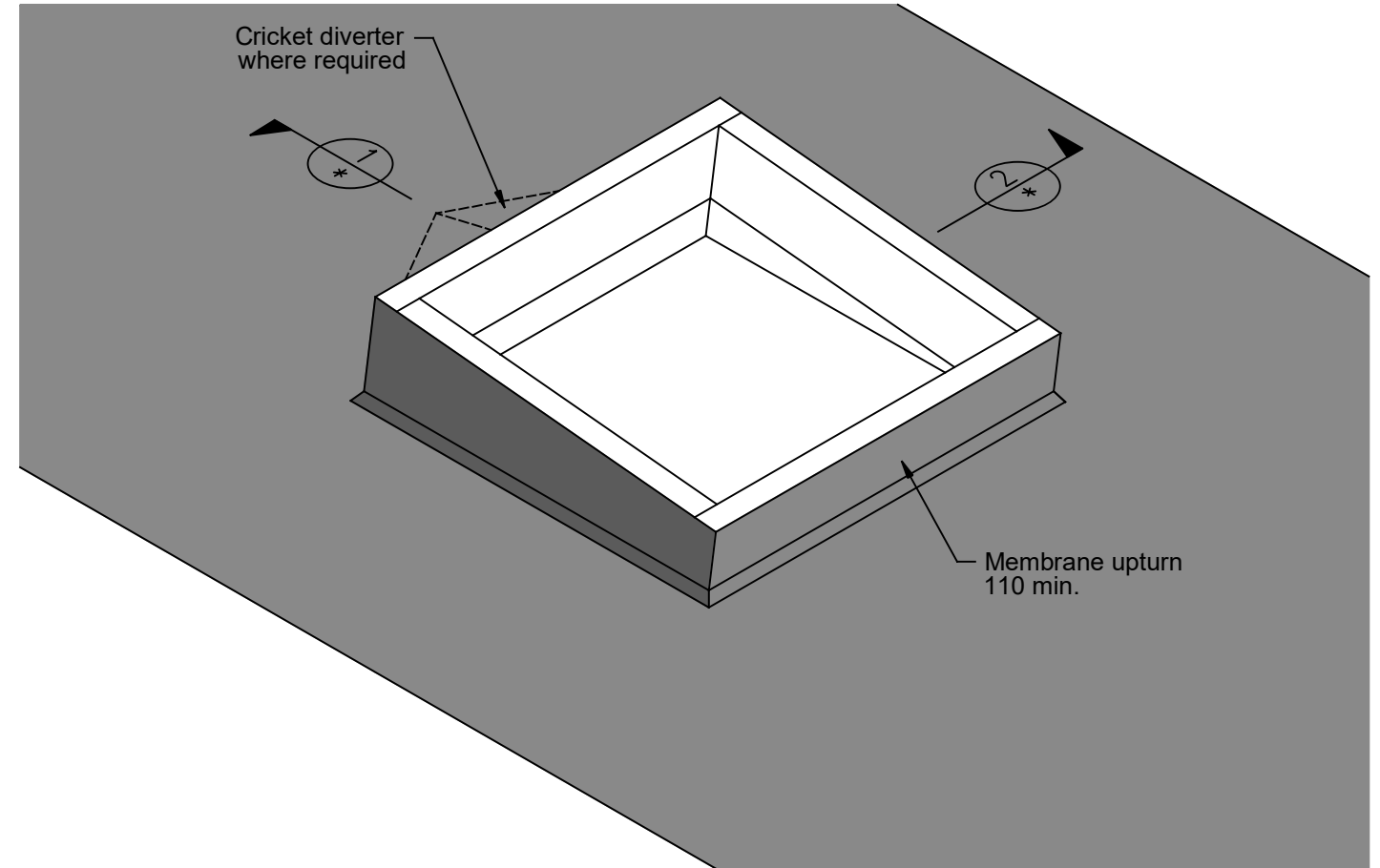


\* Dimensions to be in accordance with NZBC Clause E2

DETAIL 1



Roof Window Opening - Sash	DAYLIGHT DIMENSION		FIXING DIMENSION		OVERALL DIMENSION	
Model No.						
RWS77	575	x	575	680	x	680
RWS86	620	x	470	725	x	575
RWS99	780	x	780	885	x	885
RWS106	900	x	470	1005	x	575
RWS107	900	x	575	1005	x	680
RWS108	900	x	700	1005	x	805
RWS128	1100	x	700	1205	x	805
RWS137	1185	x	575	1290	x	680
RWS139	1185	x	780	1290	x	885
RWS148	1320	x	700	1425	x	805
RWS1010	900	x	900	1005	x	1005



Not to scale, do not scale from drawing. All details are generic in nature and should be read in conjunction with the roofing manufacturers' standard penetration details.



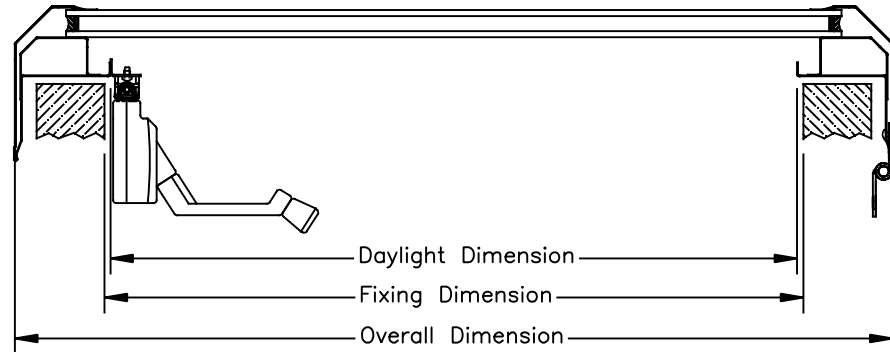
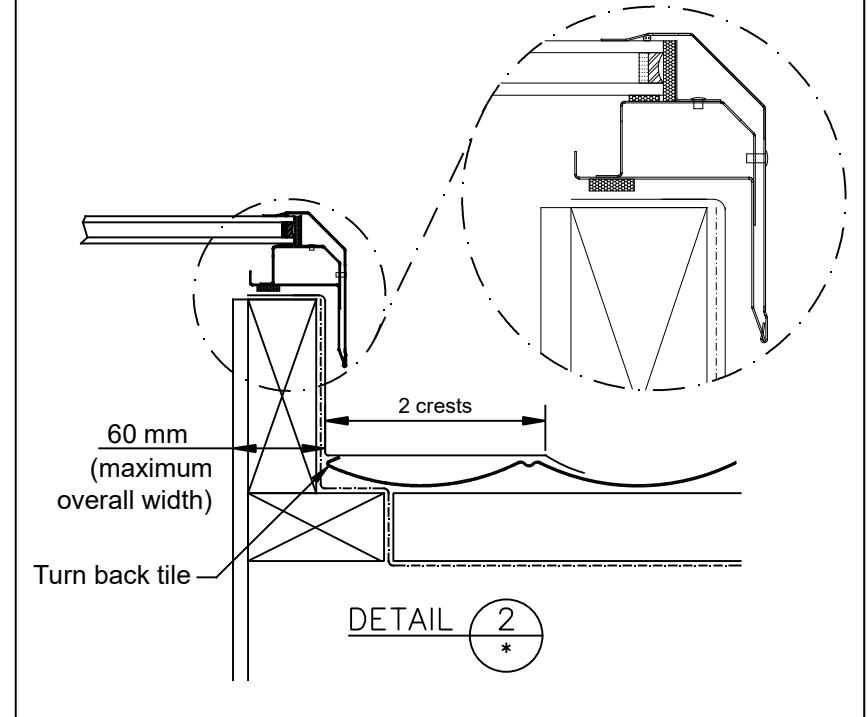
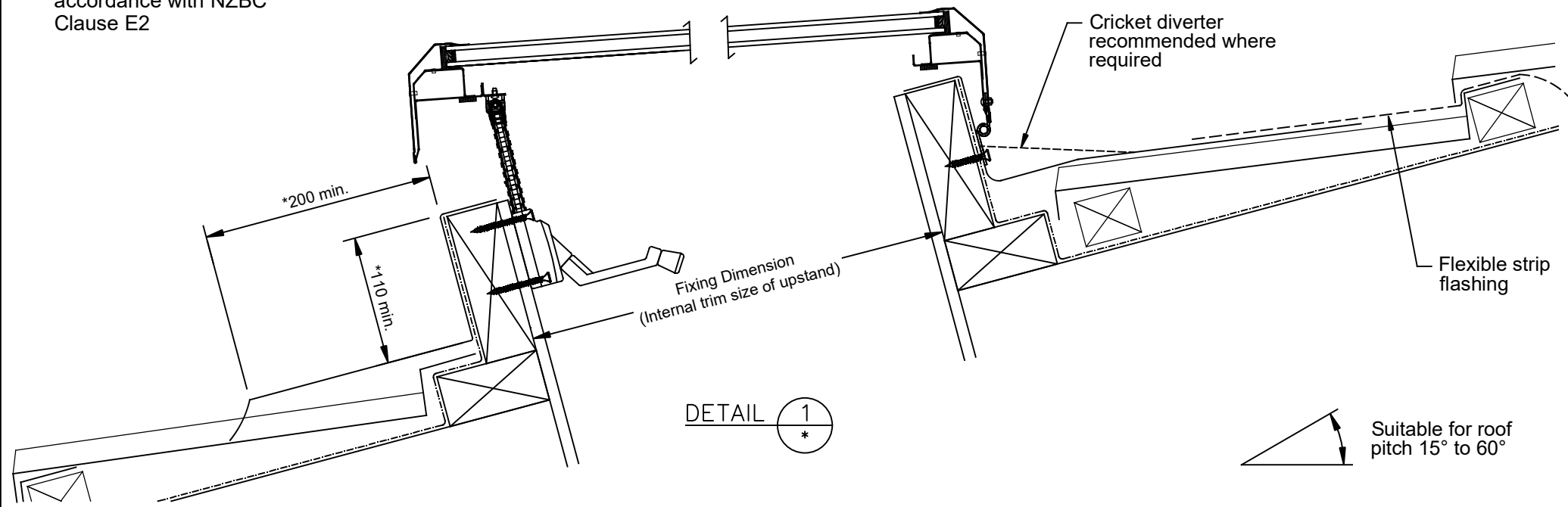
ADLUX Industries Ltd. ©  
 36 Olive Road, Penrose  
 P.O. Box 13866, Auckland  
 New Zealand.  
 Ph: (09) 636 6866  
 Fax: (09) 636 6846  
 Email: sales@adlux.co.nz

## ROOF WINDOW OPENING (Double Glazed) SASH MEMBRANE ROOFING (Pitched Upstand) For roofs less than 5°

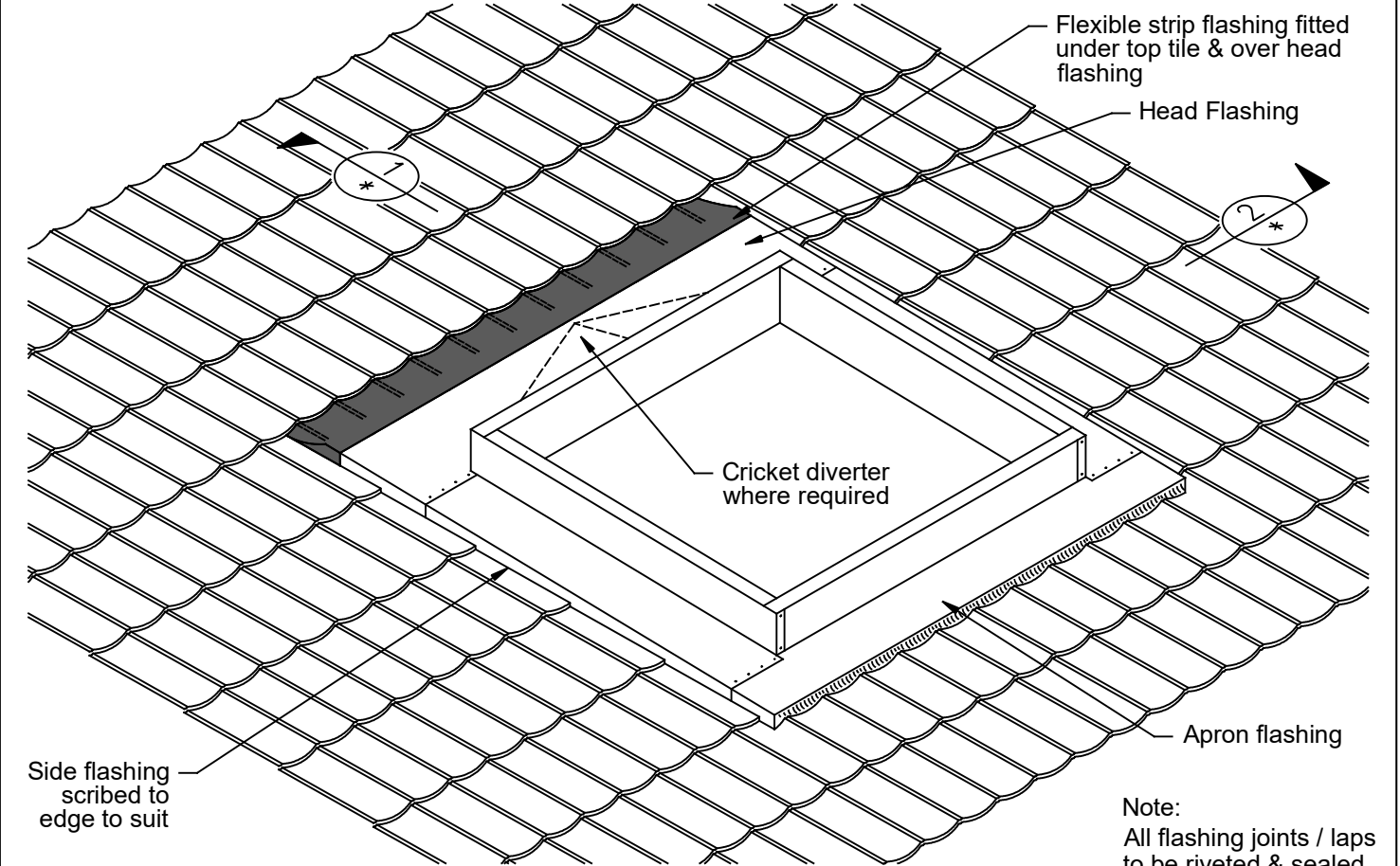
DATE: 07/01/2021

DWG No: RWS-MEM-PU

\* Dimensions to be in accordance with NZBC Clause E2



Roof Window Opening - Sash									
Model No.	DAYLIGHT DIMENSION		FIXING DIMENSION		OVERALL DIMENSION				
RWS77	575	x	575	680	x	680	705	x	705
RWS86	620	x	470	725	x	575	750	x	600
RWS99	780	x	780	885	x	885	910	x	910
RWS106	900	x	470	1005	x	575	1030	x	600
RWS107	900	x	575	1005	x	680	1030	x	705
RWS108	900	x	700	1005	x	805	1030	x	830
RWS128	1100	x	700	1205	x	805	1230	x	830
RWS137	1185	x	575	1290	x	680	1315	x	705
RWS139	1185	x	780	1290	x	885	1315	x	910
RWS148	1320	x	700	1425	x	805	1450	x	830
RWS1010	900	x	900	1005	x	1005	1030	x	1030



Not to scale, do not scale from drawing. All details are generic in nature and should be read in conjunction with the roofing manufacturers' standard penetration details.



ADLUX Industries Ltd. ©  
 36 Olive Road, Penrose  
 P.O. Box 13866, Auckland  
 New Zealand.  
 Ph: (09) 636 6866  
 Fax: (09) 636 6846  
 Email: sales@adlux.co.nz

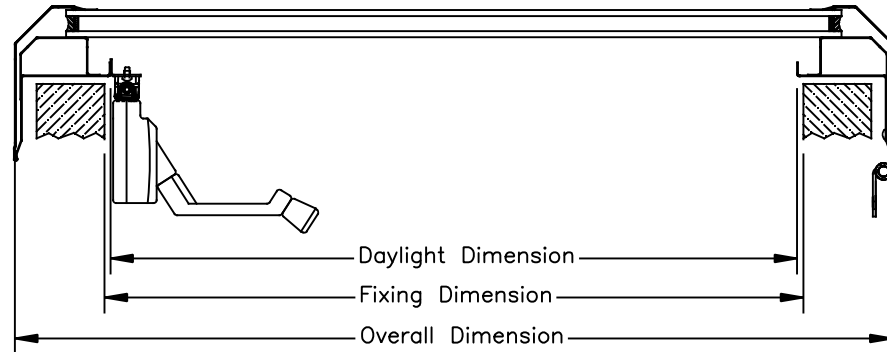
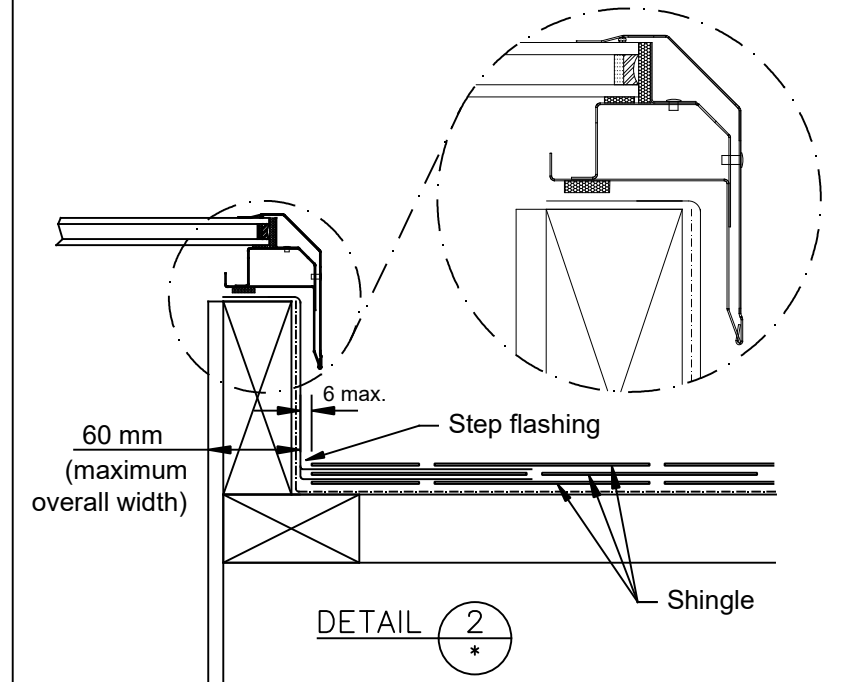
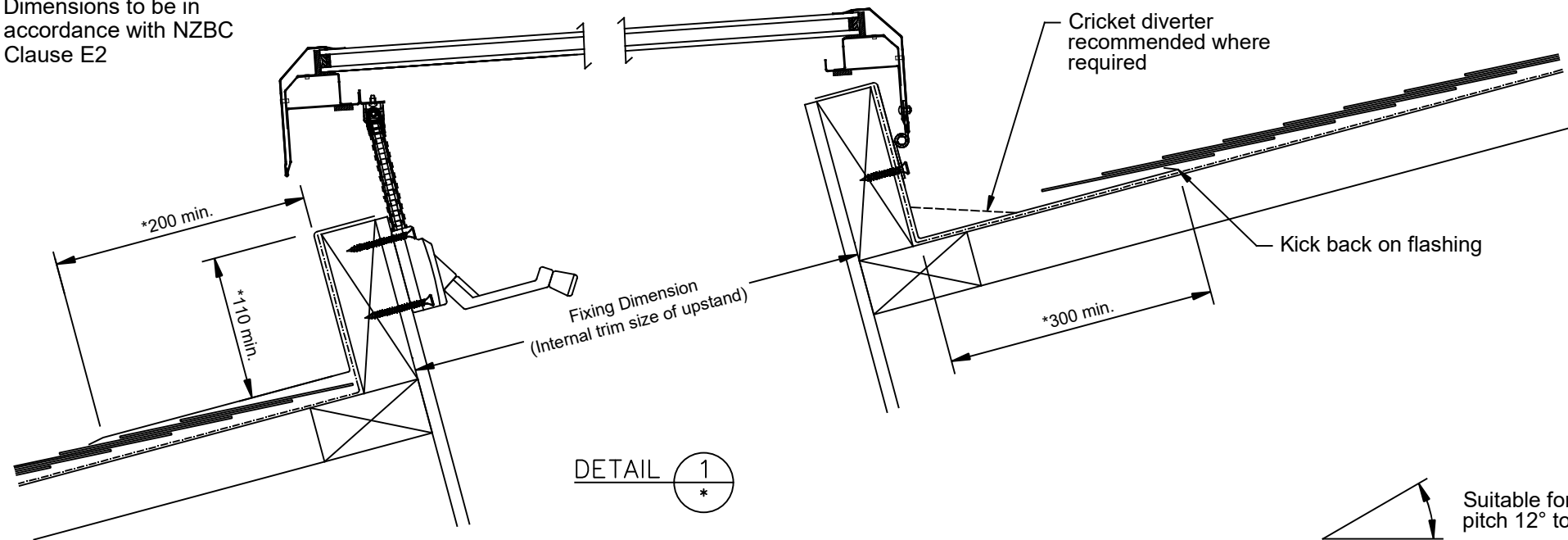
## ROOF WINDOW OPENING (Double Glazed) SASH METAL ROOFING TILE PITCH 15° TO 60°

DATE: 07/01/2021

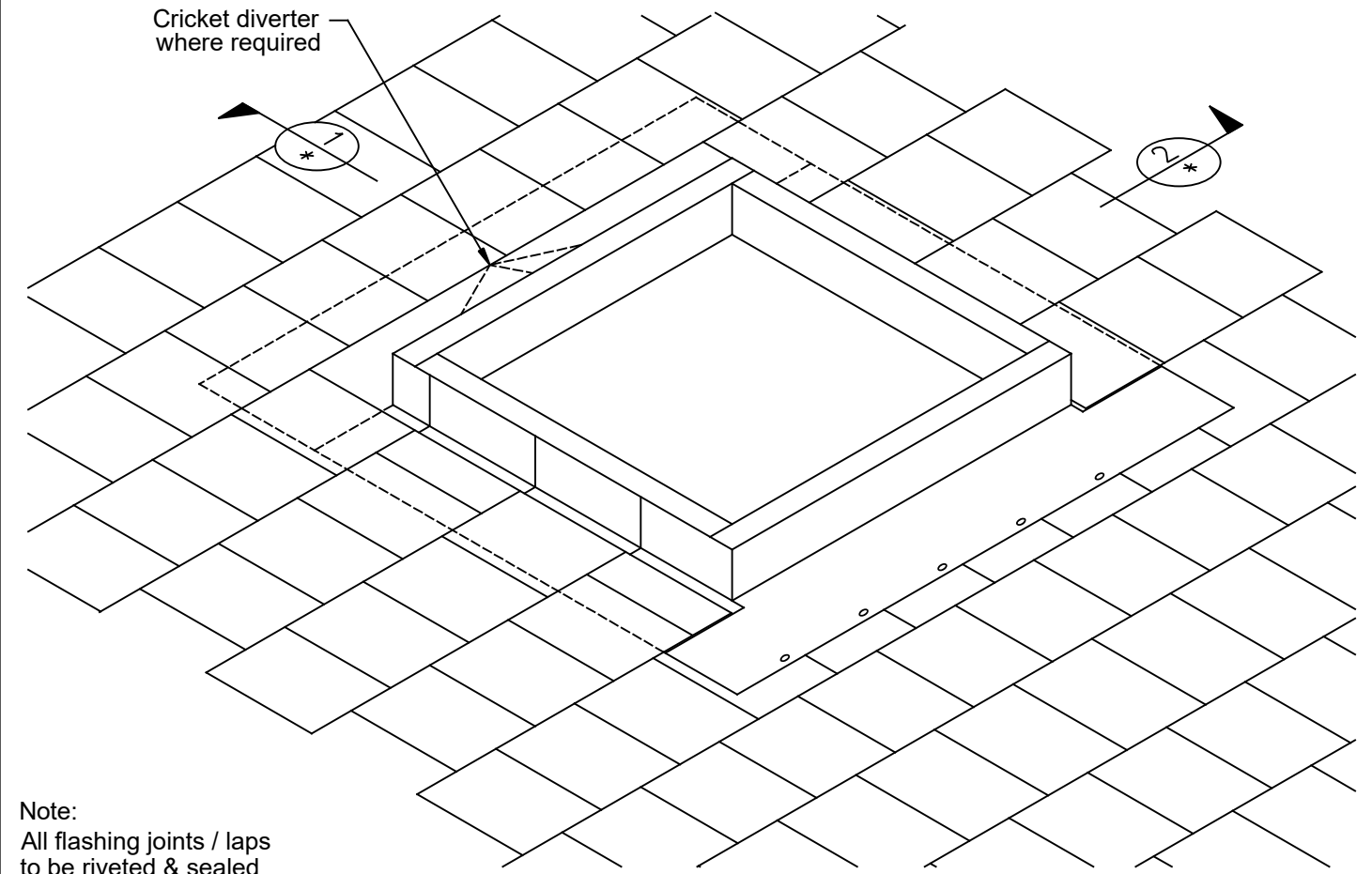
DWG No: RWS-MT



\* Dimensions to be in accordance with NZBC Clause E2



Model No.	DAYLIGHT DIMENSION		FIXING DIMENSION		OVERALL DIMENSION	
RWS77	575	x 575	680	x 680	705	x 705
RWS86	620	x 470	725	x 575	750	x 600
RWS99	780	x 780	885	x 885	910	x 910
RWS106	900	x 470	1005	x 575	1030	x 600
RWS107	900	x 575	1005	x 680	1030	x 705
RWS108	900	x 700	1005	x 805	1030	x 830
RWS128	1100	x 700	1205	x 805	1230	x 830
RWS137	1185	x 575	1290	x 680	1315	x 705
RWS139	1185	x 780	1290	x 885	1315	x 910
RWS148	1320	x 700	1425	x 805	1450	x 830
RWS1010	900	x 900	1005	x 1005	1030	x 1030



Not to scale, do not scale from drawing. All details are generic in nature and should be read in conjunction with the roofing manufacturers' standard penetration details.



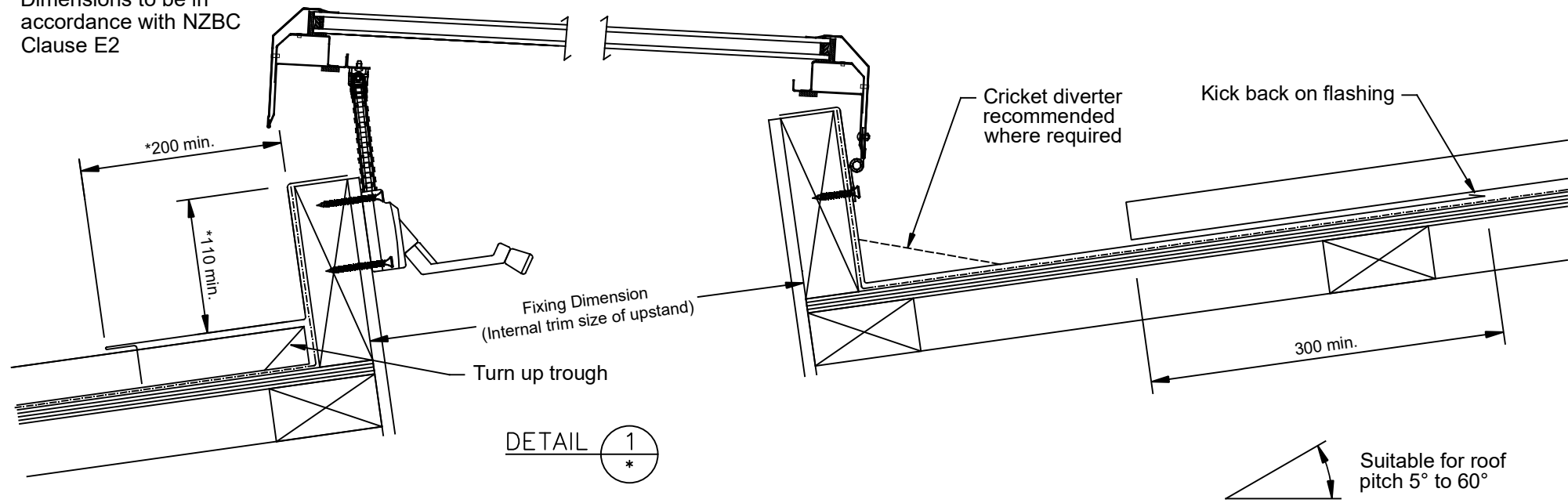
ADLUX Industries Ltd. ©  
 36 Olive Road, Penrose  
 P.O. Box 13866, Auckland  
 New Zealand.  
 Ph: (09) 636 6866  
 Fax: (09) 636 6846  
 Email: sales@adlux.co.nz

## ROOF WINDOW OPENING (Double Glazed) SASH SLATE / SHINGLE ROOFING TILE PITCH 12° TO 60°

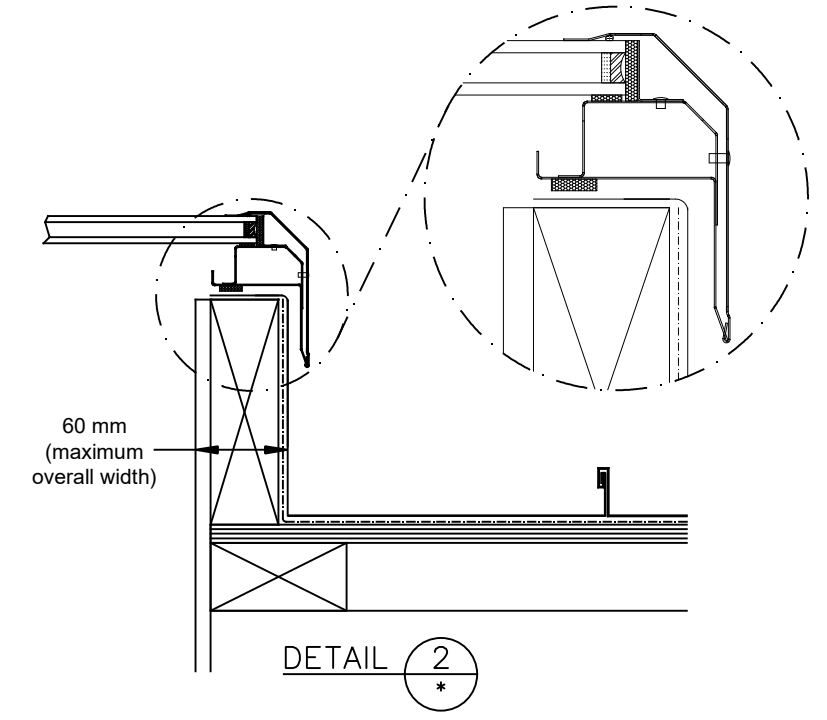
DATE: 07/01/2021

DWG No: RWS-SL/SH

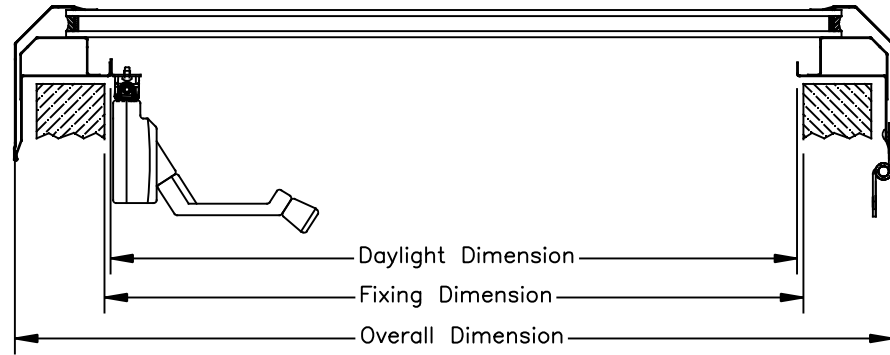
\* Dimensions to be in accordance with NZBC Clause E2



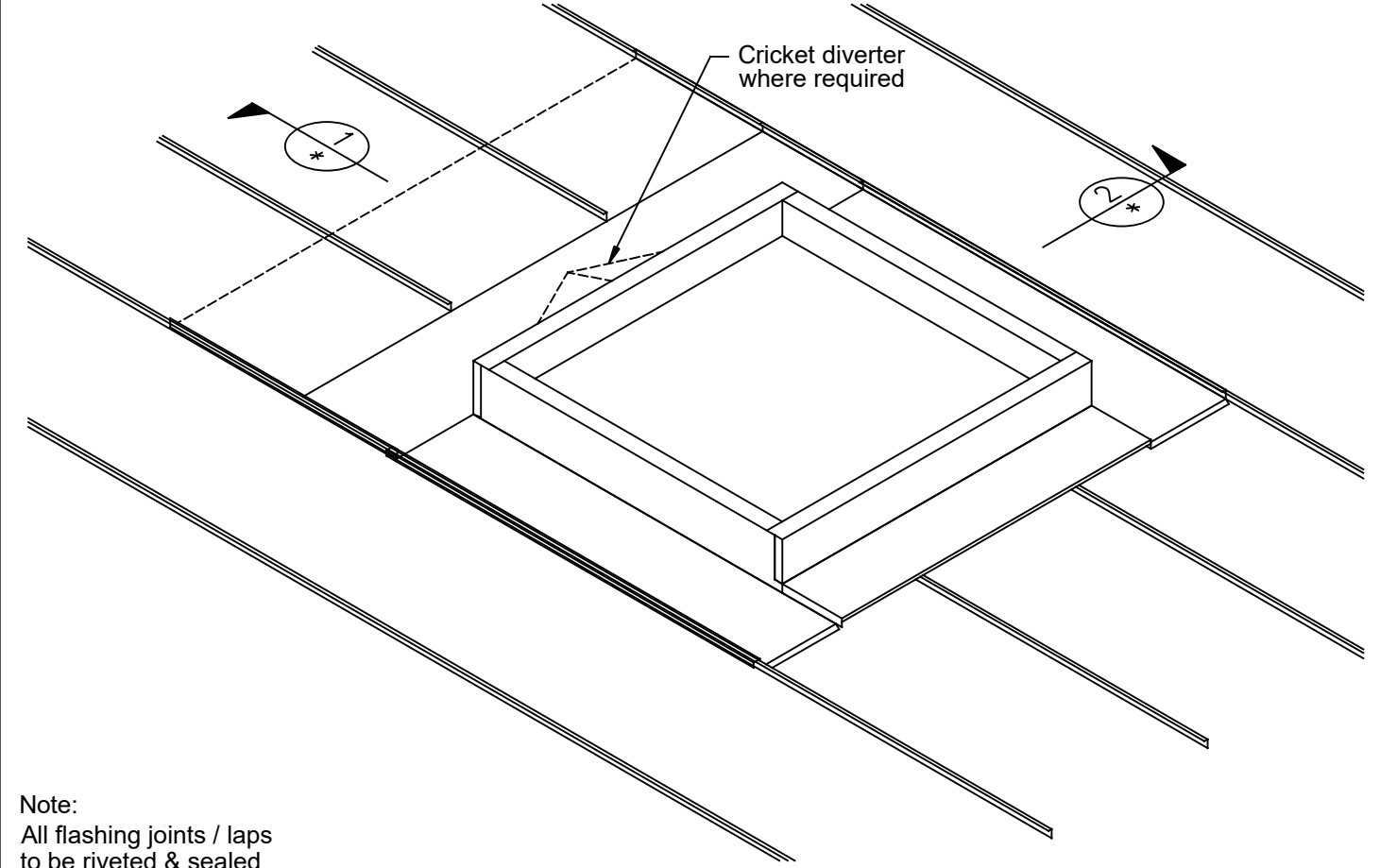
DETAIL 1



DETAIL 2



Model No.	DAYLIGHT DIMENSION		FIXING DIMENSION		OVERALL DIMENSION				
RWS77	575	x	575	680	x	680	705	x	705
RWS86	620	x	470	725	x	575	750	x	600
RWS99	780	x	780	885	x	885	910	x	910
RWS106	900	x	470	1005	x	575	1030	x	600
RWS107	900	x	575	1005	x	680	1030	x	705
RWS108	900	x	700	1005	x	805	1030	x	830
RWS128	1100	x	700	1205	x	805	1230	x	830
RWS137	1185	x	575	1290	x	680	1315	x	705
RWS139	1185	x	780	1290	x	885	1315	x	910
RWS148	1320	x	700	1425	x	805	1450	x	830
RWS1010	900	x	900	1005	x	1005	1030	x	1030



Note:  
All flashing joints / laps  
to be riveted & sealed

Not to scale, do not scale from drawing. All details are generic in nature and should be read in conjunction with the roofing manufacturers' standard penetration details.

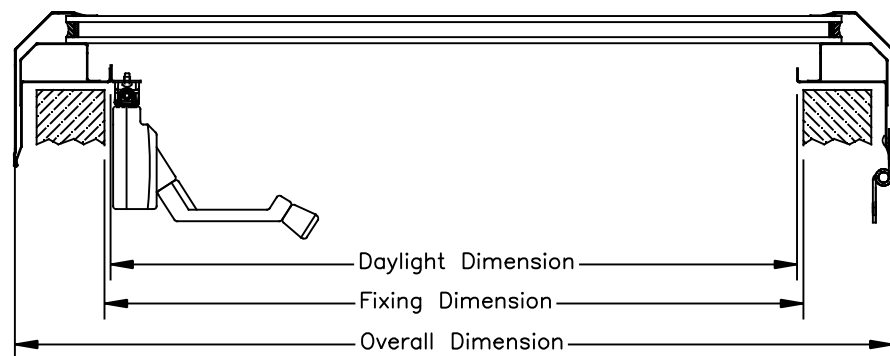
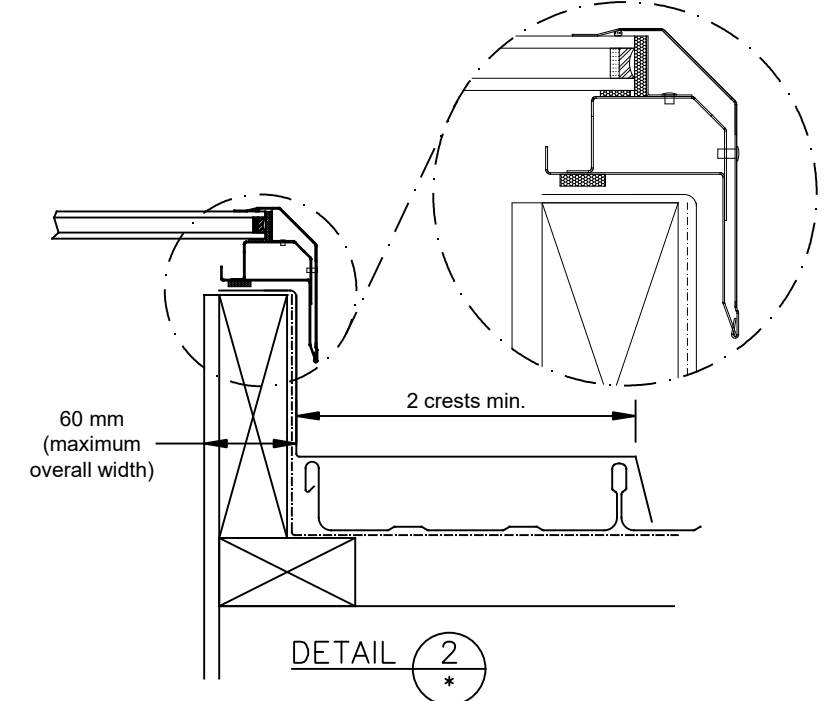
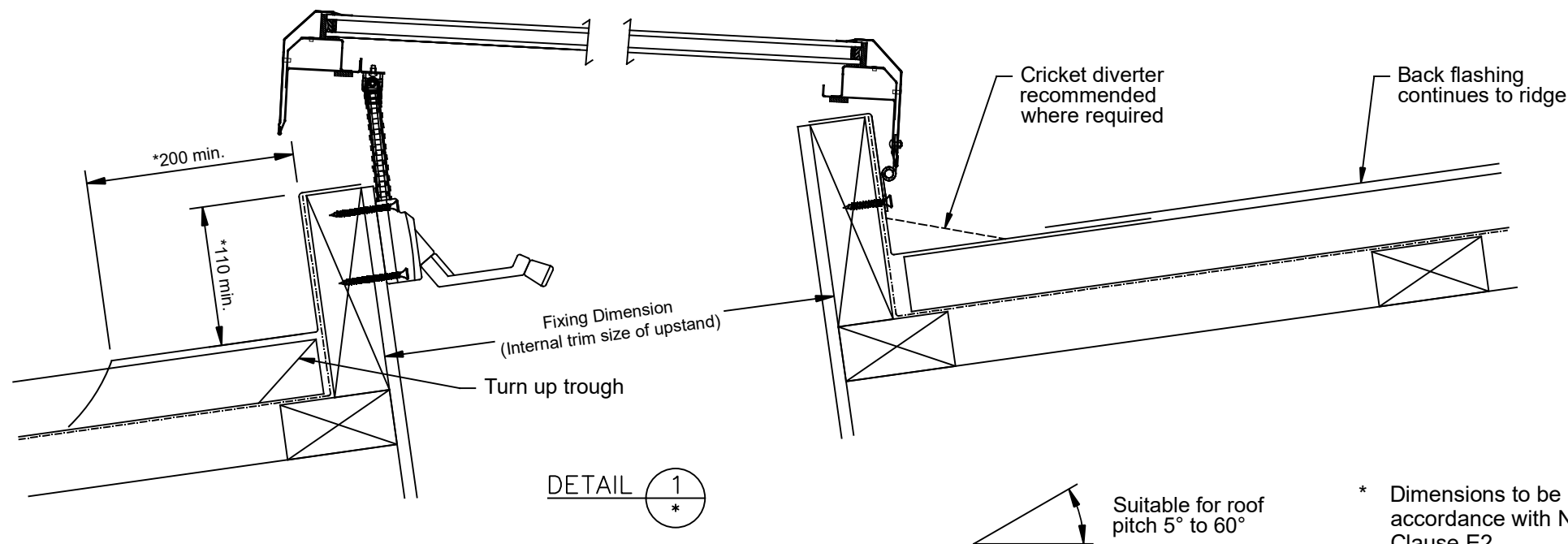


ADLUX Industries Ltd. ©  
36 Olive Road, Penrose  
P.O. Box 13866, Auckland  
New Zealand.  
Ph: (09) 636 6866  
Fax: (09) 636 6846  
Email: sales@adlux.co.nz

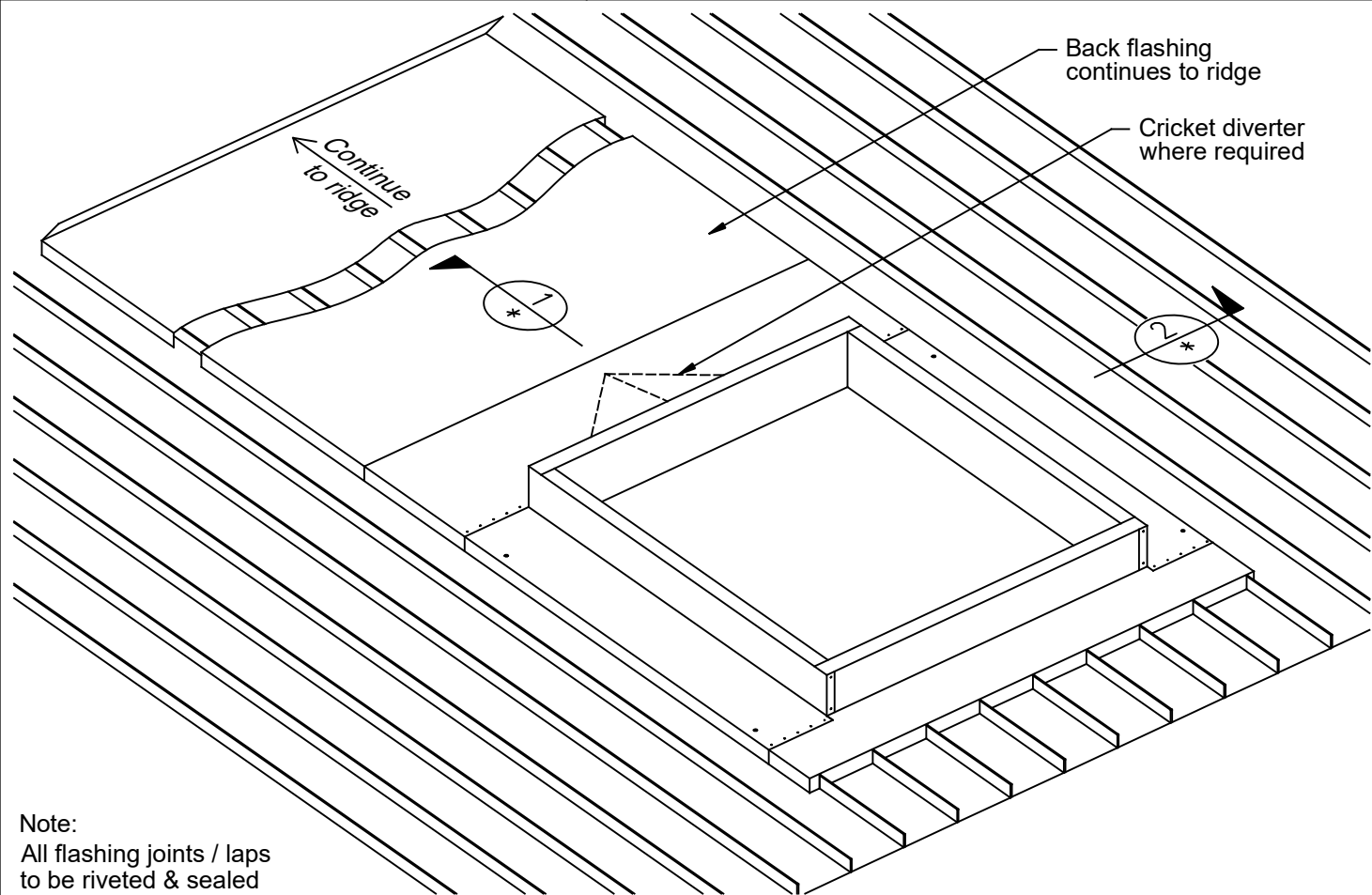
## ROOF WINDOW OPENING (Double Glazed) SASH STANDING SEAM ROOFING PROFILE PITCH 5° TO 60°

DATE: 07/01/2021

DWG No: RWS-SS



Model No.	DAYLIGHT DIMENSION		FIXING DIMENSION		OVERALL DIMENSION				
RWS77	575	x	575	680	x	680	705	x	705
RWS86	620	x	470	725	x	575	750	x	600
RWS99	780	x	780	885	x	885	910	x	910
RWS106	900	x	470	1005	x	575	1030	x	600
RWS107	900	x	575	1005	x	680	1030	x	705
RWS108	900	x	700	1005	x	805	1030	x	830
RWS128	1100	x	700	1205	x	805	1230	x	830
RWS137	1185	x	575	1290	x	680	1315	x	705
RWS139	1185	x	780	1290	x	885	1315	x	910
RWS148	1320	x	700	1425	x	805	1450	x	830
RWS1010	900	x	900	1005	x	1005	1030	x	1030



Note:  
All flashing joints / laps  
to be riveted & sealed

Not to scale, do not scale from drawing. All details are generic in nature and should be read in conjunction with the roofing manufacturers' standard penetration details.



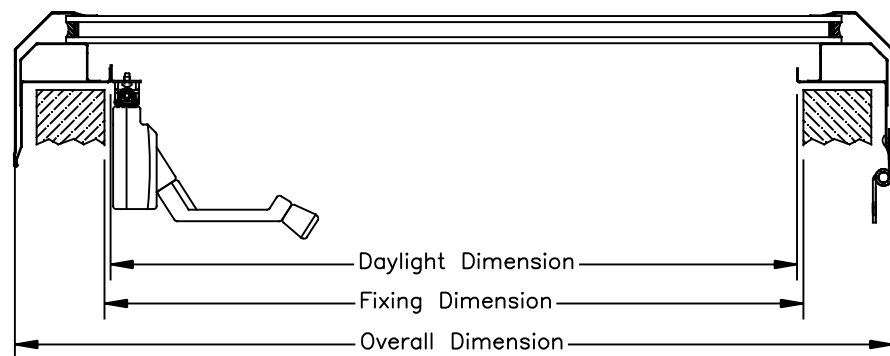
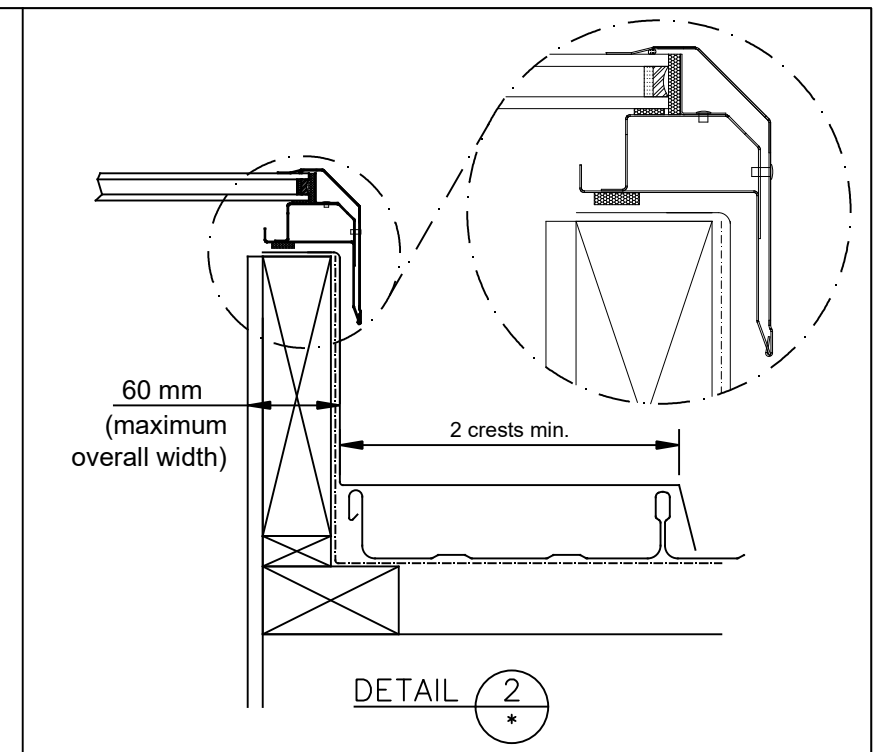
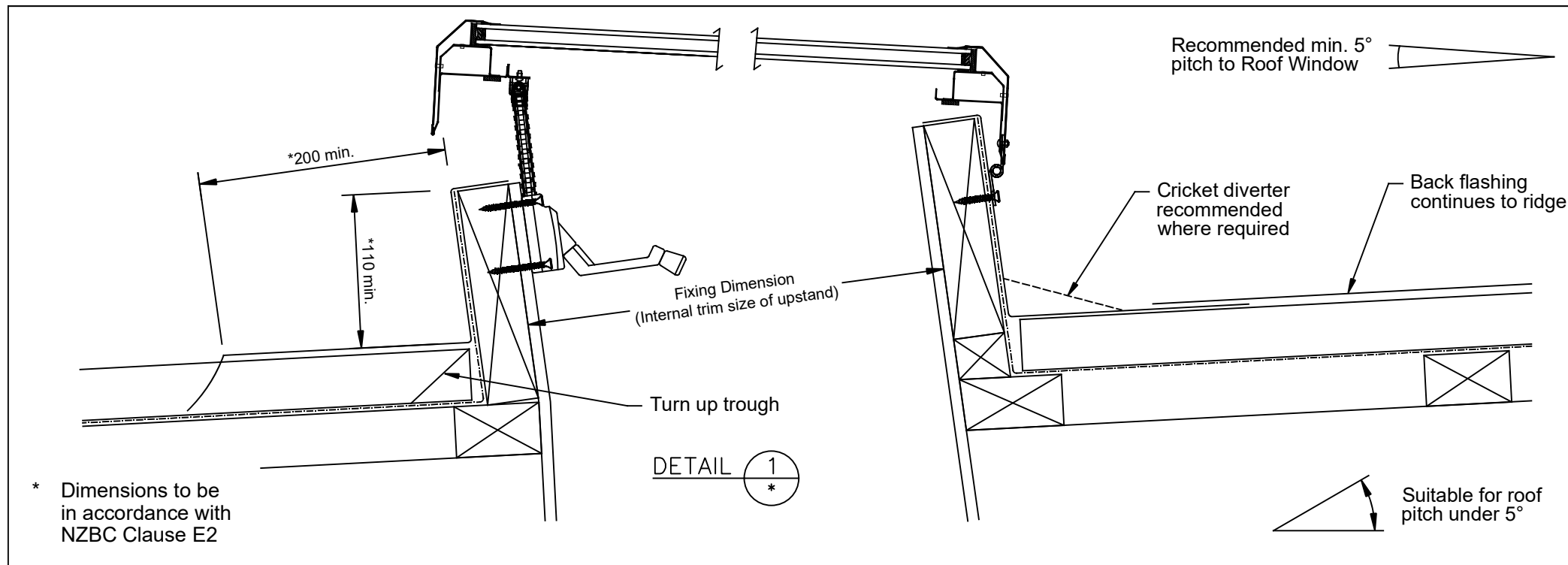
ADLUX Industries Ltd. ©  
36 Olive Road, Penrose  
P.O. Box 13866, Auckland  
New Zealand.  
Ph: (09) 636 6866  
Fax: (09) 636 6846  
Email: sales@adlux.co.nz

## ROOF WINDOW OPENING (Double Glazed) SASH TROUGH SECTION PROFILE (Back Tray) PITCH 5° TO 60°

DATE: 07/01/2021

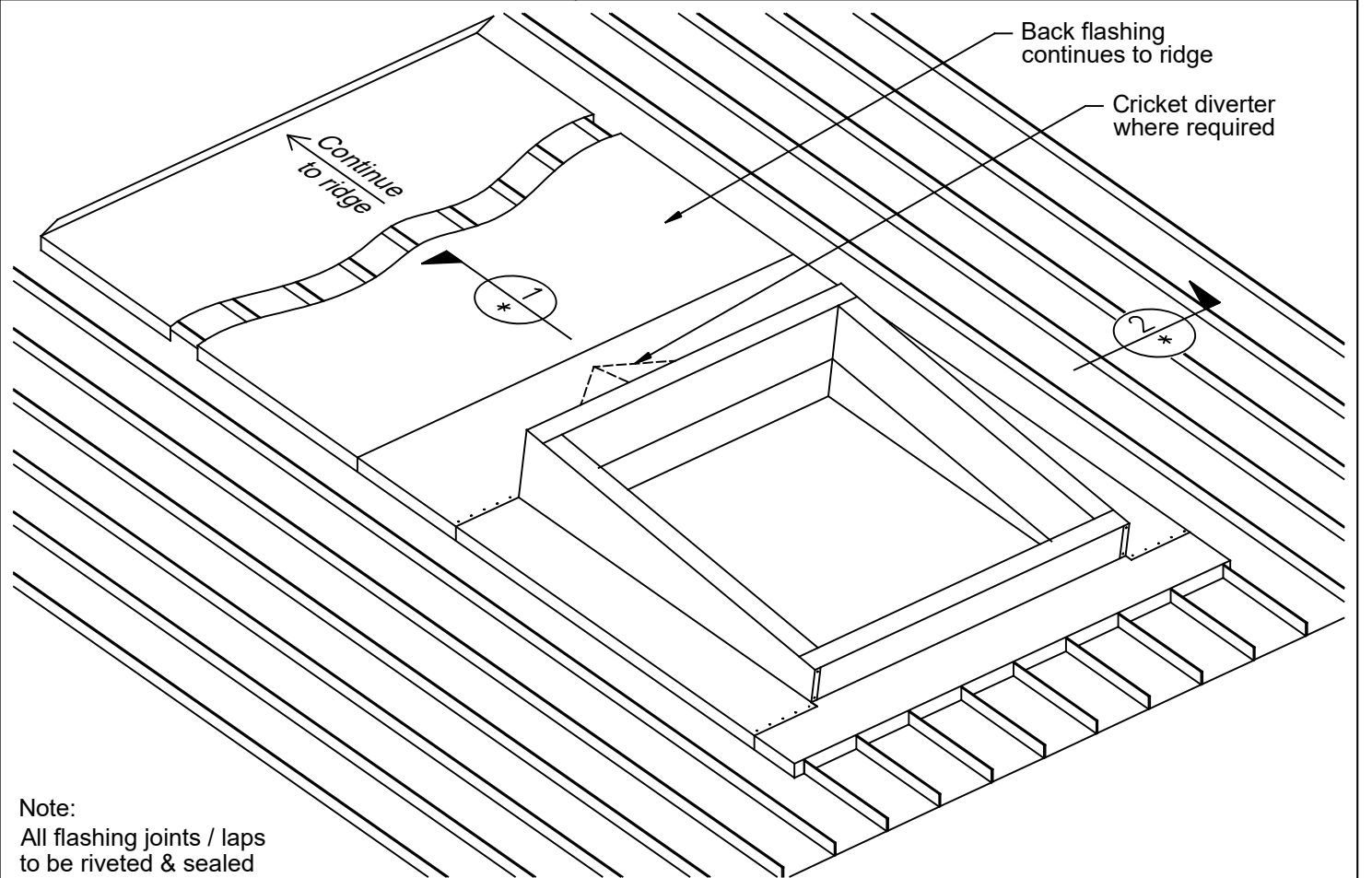
DWG No: RWS-TR-BT





Model No.	DAYLIGHT DIMENSION		FIXING DIMENSION		OVERALL DIMENSION	
RWS77	575	x	575	680	x	680
RWS86	620	x	470	725	x	575
RWS99	780	x	780	885	x	885
RWS106	900	x	470	1005	x	575
RWS107	900	x	575	1005	x	680
RWS108	900	x	700	1005	x	805
RWS128	1100	x	700	1205	x	805
RWS137	1185	x	575	1290	x	680
RWS139	1185	x	780	1290	x	885
RWS148	1320	x	700	1425	x	805
RWS1010	900	x	900	1005	x	1005

Not to scale, do not scale from drawing. All details are generic in nature and should be read in conjunction with the roofing manufacturers' standard penetration details.

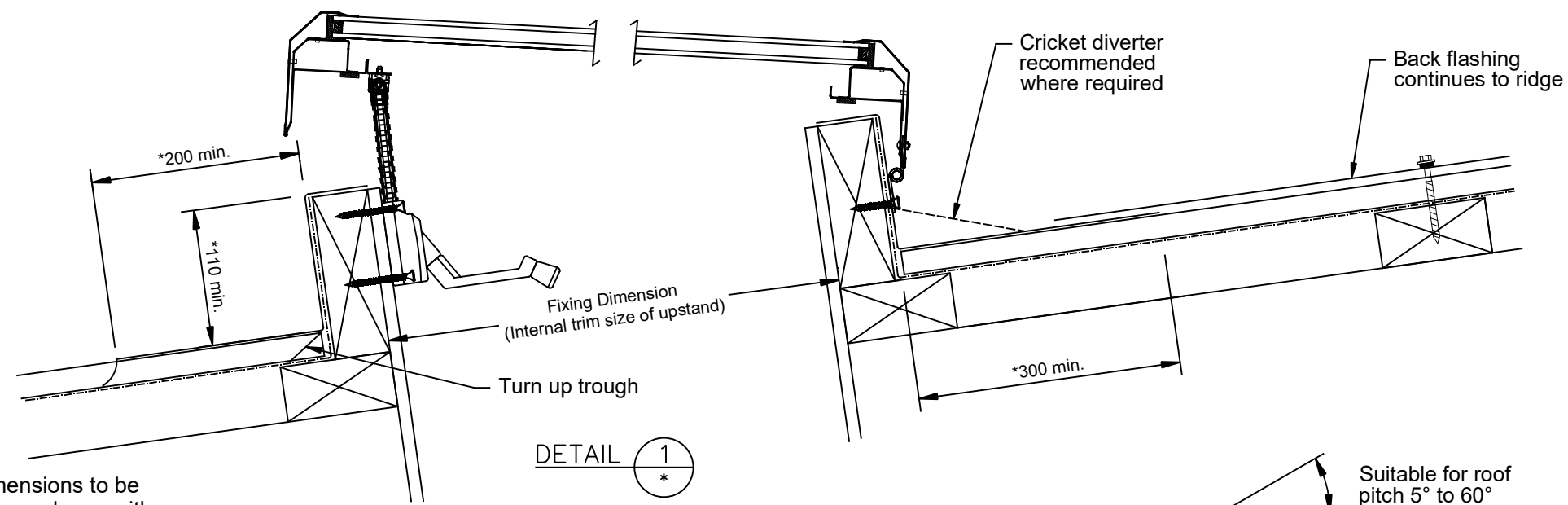


ADLUX Industries Ltd. ©  
36 Olive Road, Penrose  
P.O. Box 13866, Auckland  
New Zealand.  
Ph: (09) 636 6866  
Fax: (09) 636 6846  
Email: sales@adlux.co.nz

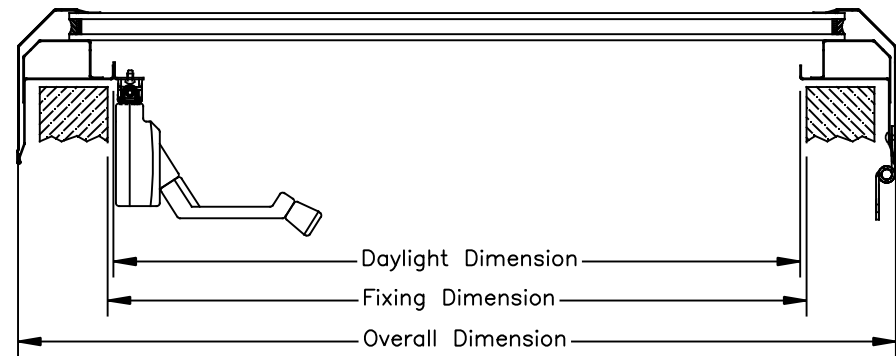
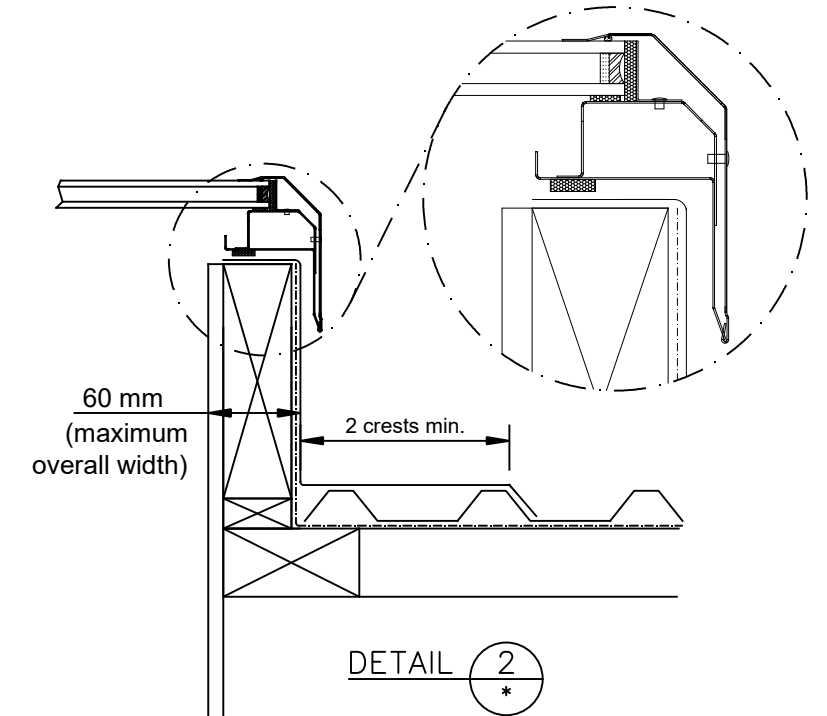
## ROOF WINDOW OPENING (Double Glazed) SASH TROUGH SECTION PROFILE (Back Tray with Pitched Upstand) For roofs less than 5°

DATE: 07/01/2021

DWG No: RWS-TR-BT-PU

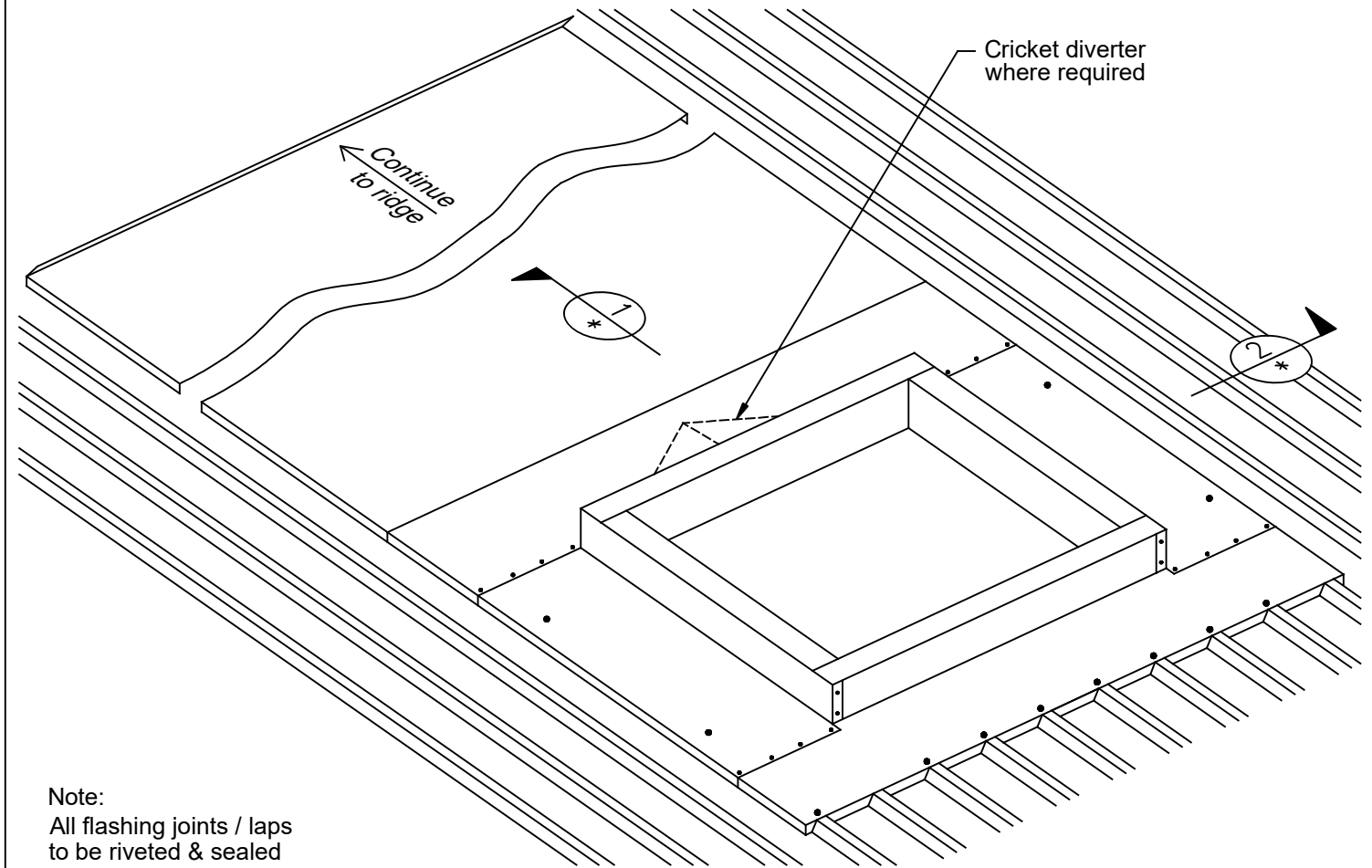


\* Dimensions to be in accordance with NZBC Clause E2



Roof Window Opening - Sash	DAYLIGHT DIMENSION		FIXING DIMENSION		OVERALL DIMENSION				
Model No.									
RWS77	575	x	575	680	x	680	705	x	705
RWS86	620	x	470	725	x	575	750	x	600
RWS99	780	x	780	885	x	885	910	x	910
RWS106	900	x	470	1005	x	575	1030	x	600
RWS107	900	x	575	1005	x	680	1030	x	705
RWS108	900	x	700	1005	x	805	1030	x	830
RWS128	1100	x	700	1205	x	805	1230	x	830
RWS137	1185	x	575	1290	x	680	1315	x	705
RWS139	1185	x	780	1290	x	885	1315	x	910
RWS148	1320	x	700	1425	x	805	1450	x	830
RWS1010	900	x	900	1005	x	1005	1030	x	1030

Not to scale, do not scale from drawing. All details are generic in nature and should be read in conjunction with the roofing manufacturers' standard penetration details.

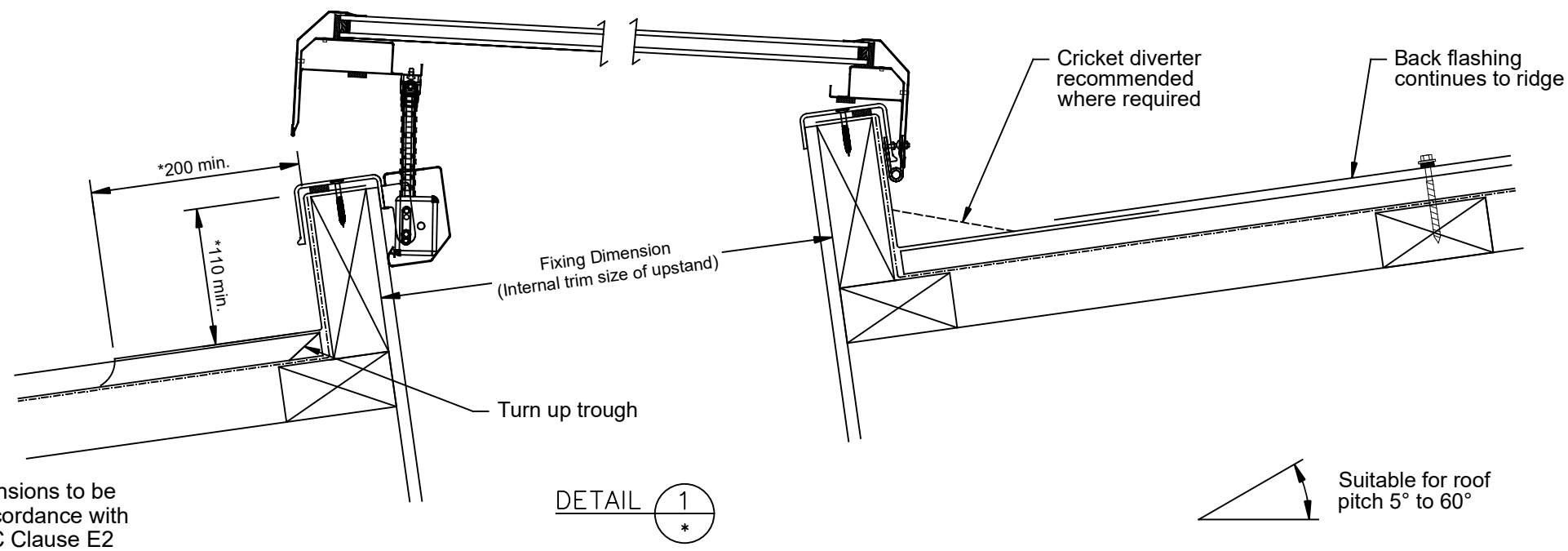


ADLUX Industries Ltd. ©  
 36 Olive Road, Penrose  
 P.O. Box 13866, Auckland  
 New Zealand.  
 Ph: (09) 636 6866  
 Fax: (09) 636 6846  
 Email: sales@adlux.co.nz

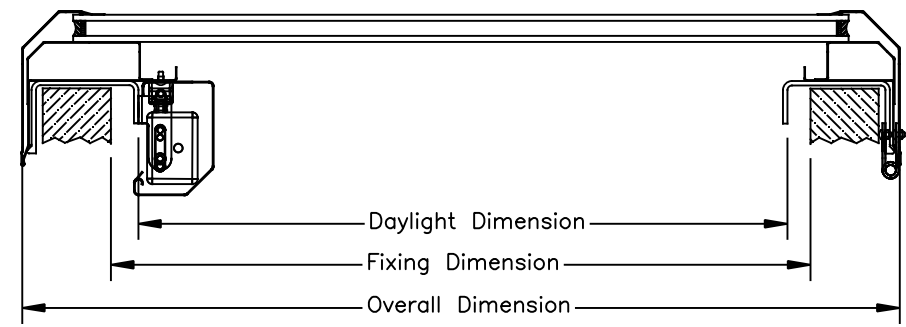
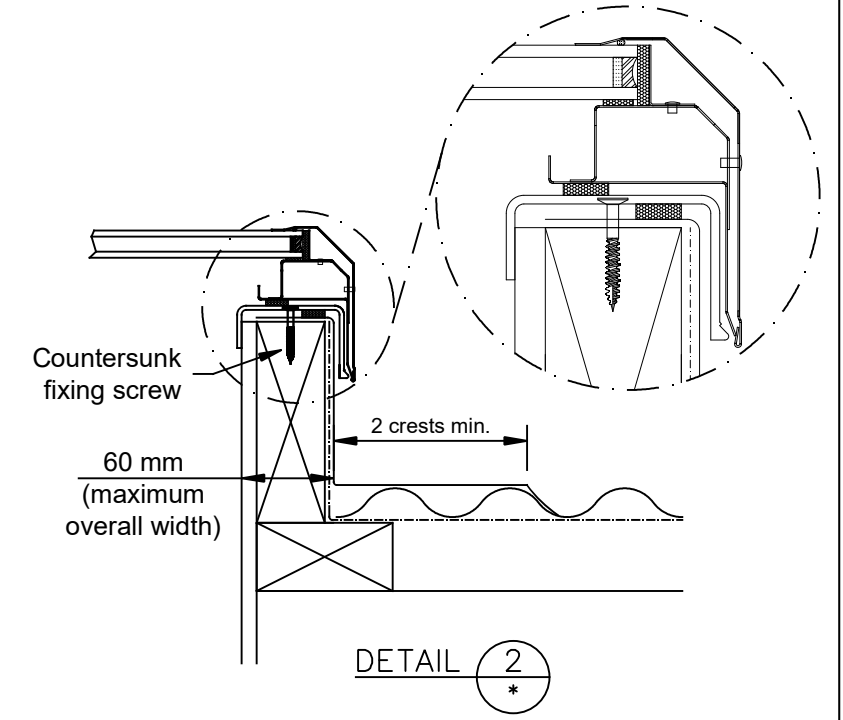
## ROOF WINDOW OPENING (Double Glazed) SASH TRAPEZOID ROOFING PROFILE (Back Tray) PITCH 5° TO 60°

DATE: 07/01/2021

DWG No: RWS-TZ-BT

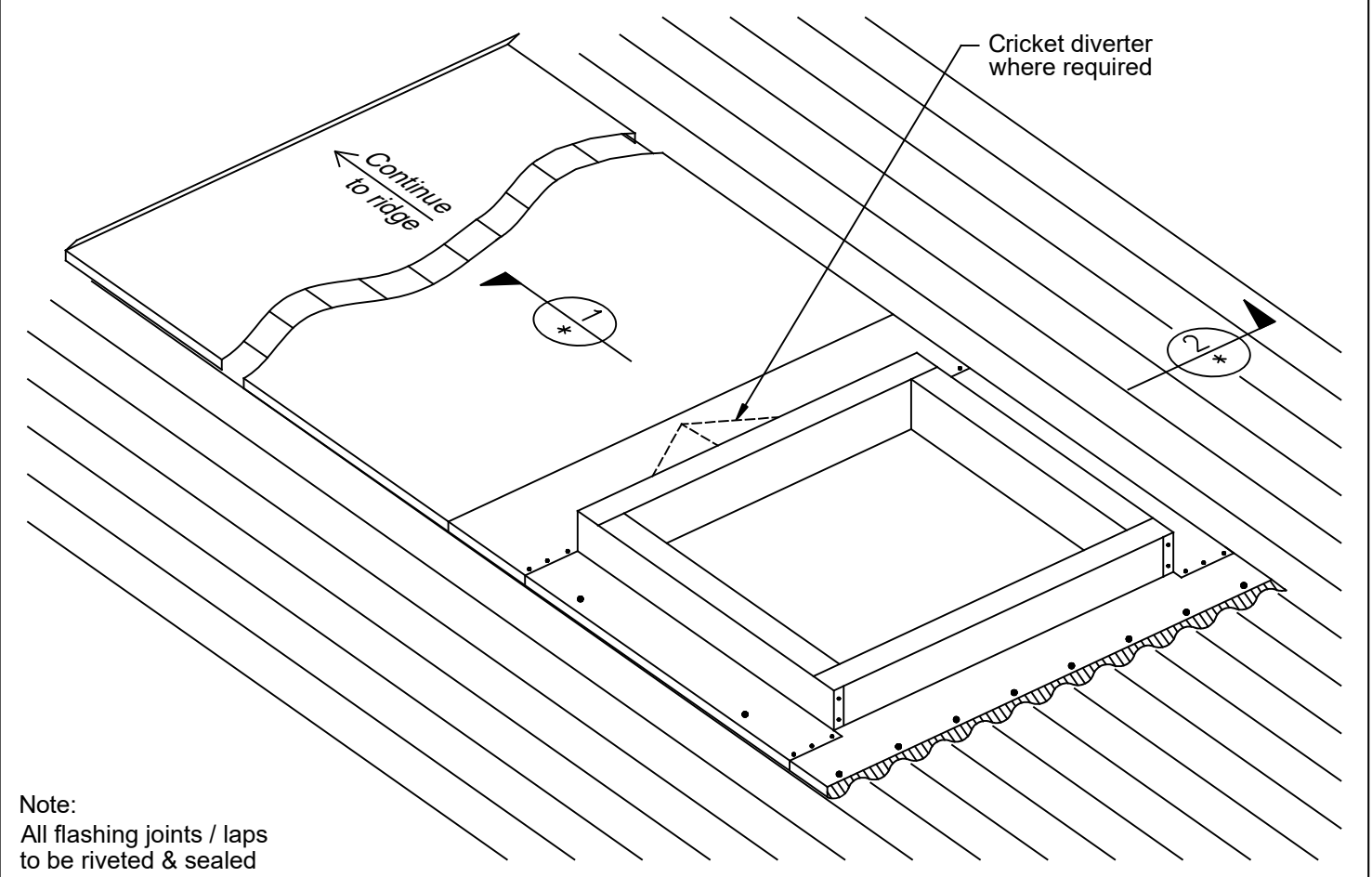


\* Dimensions to be in accordance with NZBC Clause E2



Model No.	DAYLIGHT DIMENSION		FIXING DIMENSION		OVERALL DIMENSION	
RWBse77	540	x 540	570	x 570	705	x 705
RWBse86	585	x 435	615	x 465	750	x 600
RWBse99	745	x 745	775	x 775	910	x 910
RWBse106	865	x 435	895	x 465	1030	x 600
RWBse107	905	x 540	1005	x 570	1030	x 705
RWBse108	865	x 665	895	x 695	1030	x 830
RWBse128	1065	x 665	1095	x 695	1230	x 830
RWBse137	1150	x 540	1180	x 570	1315	x 705
RWBse139	1190	x 785	1290	x 885	1315	x 910
RWBse148	1285	x 665	1315	x 695	1450	x 830
RWBse197	1785	x 540	1885	x 570	1910	x 705
RWBse1010	905	x 905	1005	x 1005	1030	x 1030
RWBse1212	1065	x 1025	1095	x 1055	1230	x 1190
RWBse1313	1150	x 1150	1180	x 1180	1315	x 1315
RWBse1412	1285	x 1025	1315	x 1055	1450	x 1190

Not to scale, do not scale from drawing. All details are generic in nature and should be read in conjunction with the roofing manufacturers' standard penetration details.



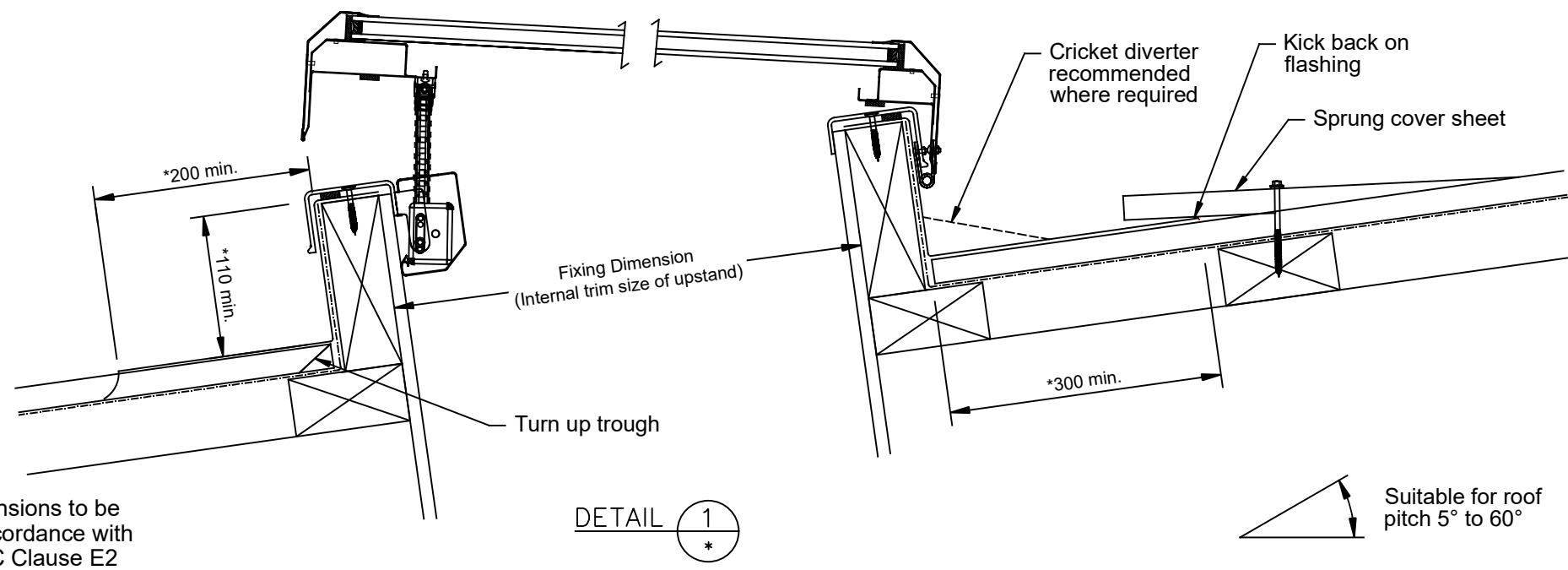
ADLUX Industries Ltd. ©  
 36 Olive Road, Penrose  
 P.O. Box 13866, Auckland  
 New Zealand.  
 Ph: (09) 636 6866  
 Fax: (09) 636 6846  
 Email: sales@adlux.co.nz

**ELECTRIC MOTORISED ROOF WINDOW (Double Glazed)**  
**CORRUGATED ROOFING PROFILE (Back Tray)**  
**PITCH 5° TO 60°**

DATE: 14/09/20

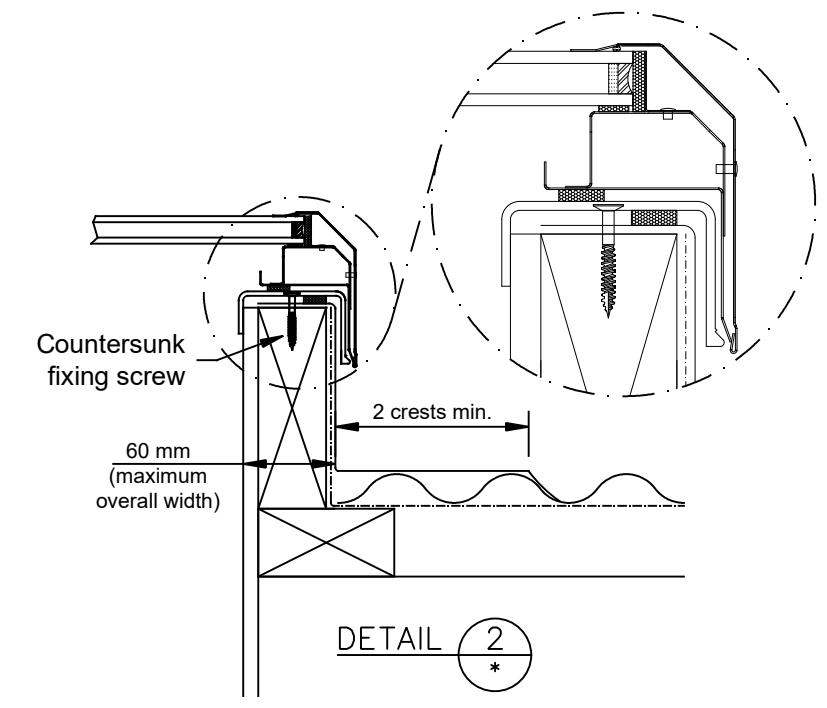
DWG No: RWBe-CR-BT



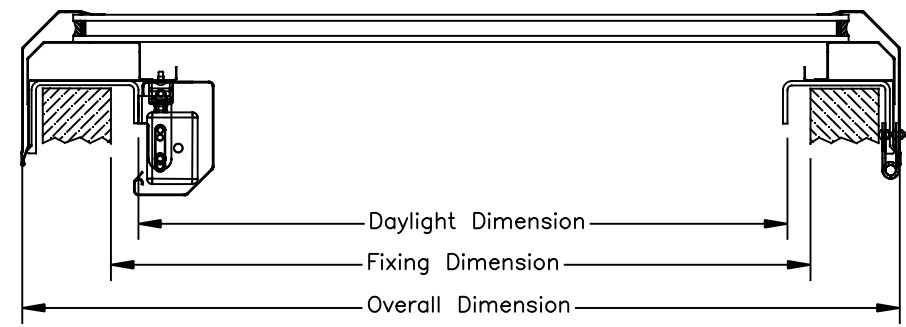


\* Dimensions to be in accordance with NZBC Clause E2

DETAIL 1

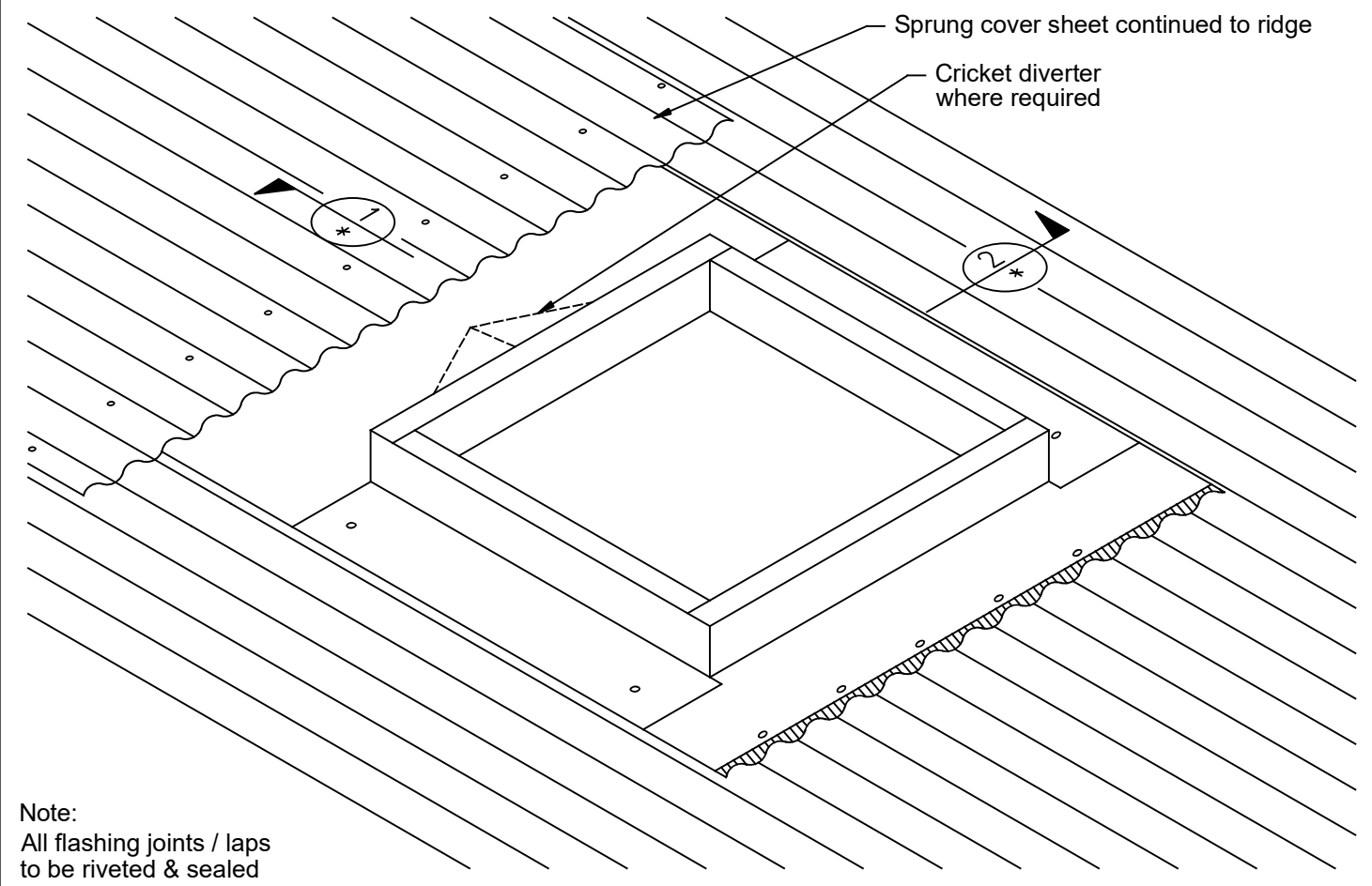


DETAIL 2



Roof Window Opening - Electric	DAYLIGHT DIMENSION		FIXING DIMENSION		OVERALL DIMENSION	
Model No.						
RWBse77	540	x 540	570	x 570	705	x 705
RWBse86	585	x 435	615	x 465	750	x 600
RWBse99	745	x 745	775	x 775	910	x 910
RWBse106	865	x 435	895	x 465	1030	x 600
RWBse107	905	x 540	1005	x 570	1030	x 705
RWBse108	865	x 665	895	x 695	1030	x 830
RWBse128	1065	x 665	1095	x 695	1230	x 830
RWBse137	1150	x 540	1180	x 570	1315	x 705
RWBse139	1190	x 785	1290	x 885	1315	x 910
RWBse148	1285	x 665	1315	x 695	1450	x 830
RWBse197	1785	x 540	1885	x 570	1910	x 705
RWBse1010	905	x 905	1005	x 1005	1030	x 1030
RWBse1212	1065	x 1025	1095	x 1055	1230	x 1190
RWBse1313	1150	x 1150	1180	x 1180	1315	x 1315
RWBse1412	1285	x 1025	1315	x 1055	1450	x 1190

Not to scale, do not scale from drawing. All details are generic in nature and should be read in conjunction with the roofing manufacturers' standard penetration details.



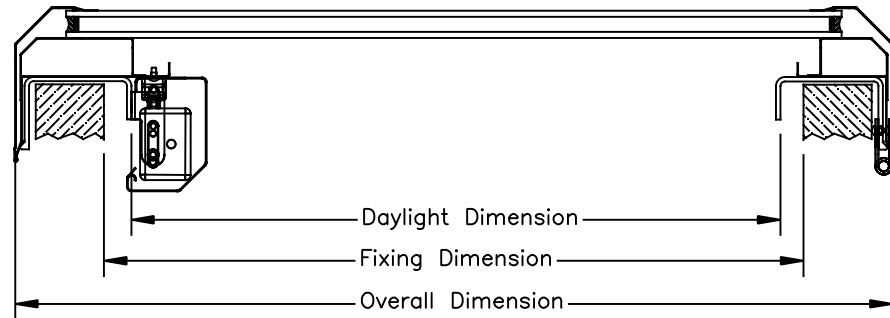
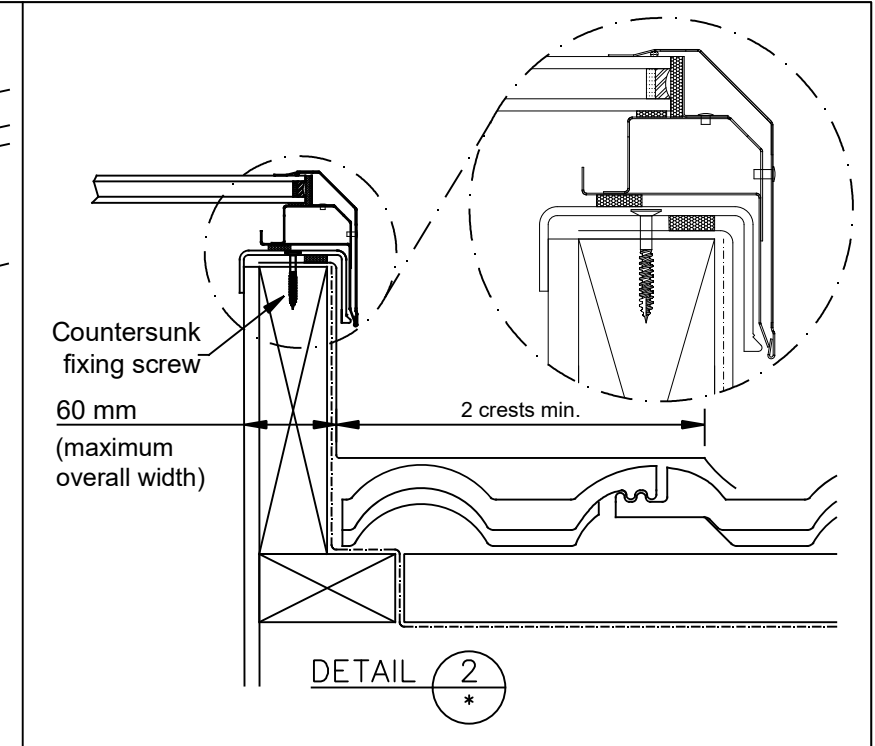
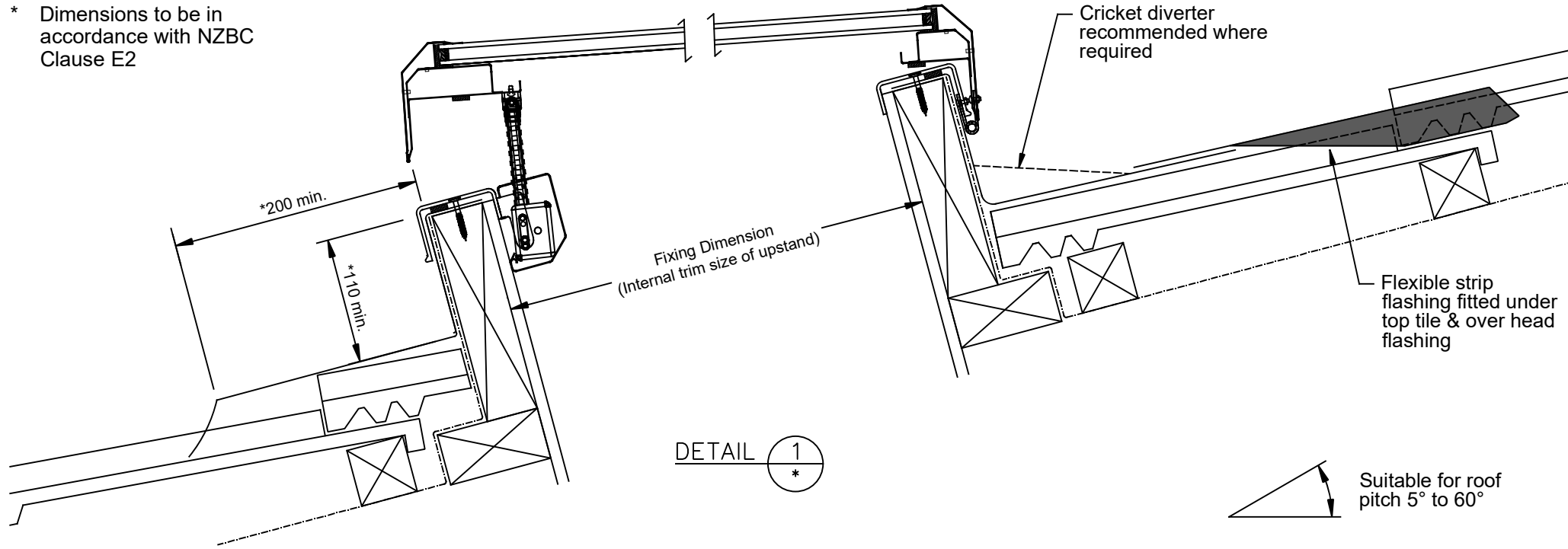
ADLUX Industries Ltd. ©  
 36 Olive Road, Penrose  
 P.O. Box 13866, Auckland  
 New Zealand.  
 Ph: (09) 636 6866  
 Fax: (09) 636 6846  
 Email: sales@adlux.co.nz

**ROOF WINDOW BASE electric opening (Double Glazed)  
 CORRUGATED ROOFING PROFILE (Sprung Sheet)  
 PITCH 5° TO 60°**

DATE: 17/09/20

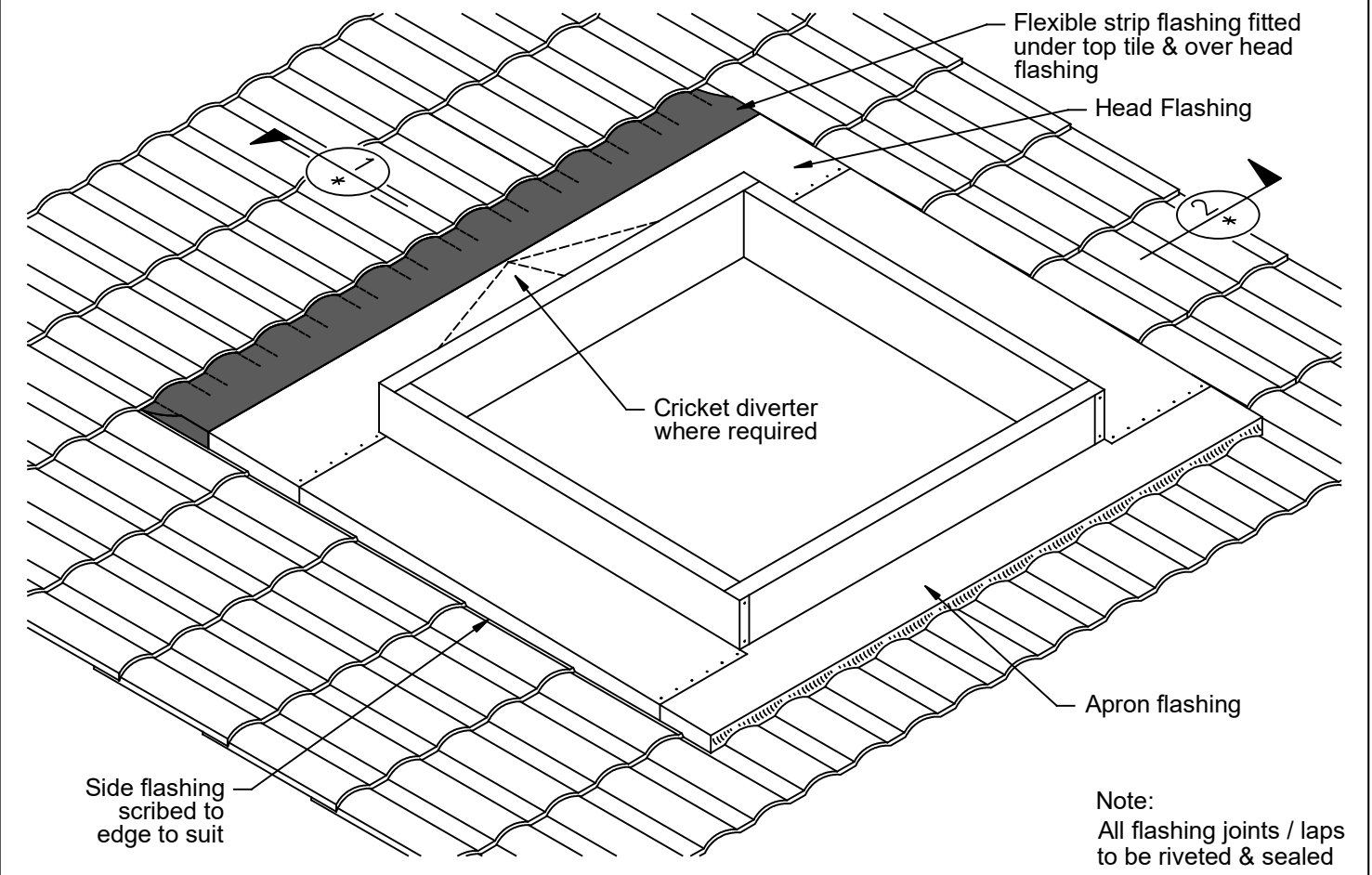
DWG No: RWBe-CR-SS

\* Dimensions to be in accordance with NZBC Clause E2



Model No.	DAYLIGHT DIMENSION		FIXING DIMENSION		OVERALL DIMENSION	
RWBse77	540	x 540	570	x 570	705	x 705
RWBse86	585	x 435	615	x 465	750	x 600
RWBse99	745	x 745	775	x 775	910	x 910
RWBse106	865	x 435	895	x 465	1030	x 600
RWBse107	905	x 540	1005	x 570	1030	x 705
RWBse108	865	x 665	895	x 695	1030	x 830
RWBse128	1065	x 665	1095	x 695	1230	x 830
RWBse137	1150	x 540	1180	x 570	1315	x 705
RWBse139	1190	x 785	1290	x 885	1315	x 910
RWBse148	1285	x 665	1315	x 695	1450	x 830
RWBse197	1785	x 540	1885	x 570	1910	x 705
RWBse1010	905	x 905	1005	x 1005	1030	x 1030
RWBse1212	1065	x 1025	1095	x 1055	1230	x 1190
RWBse1313	1150	x 1150	1180	x 1180	1315	x 1315
RWBse1412	1285	x 1025	1315	x 1055	1450	x 1190

Not to scale, do not scale from drawing. All details are generic in nature and should be read in conjunction with the roofing manufacturers' standard penetration details.



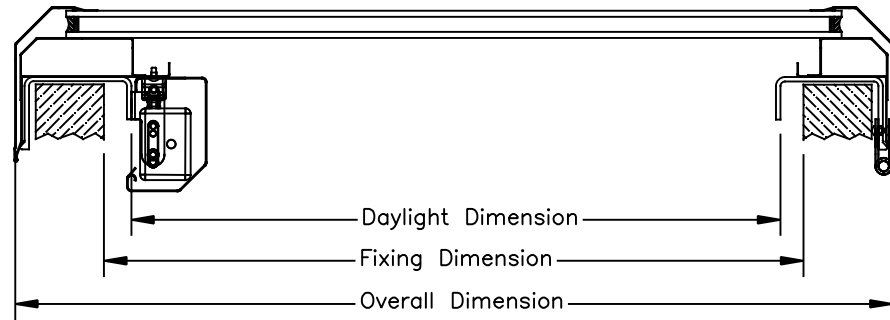
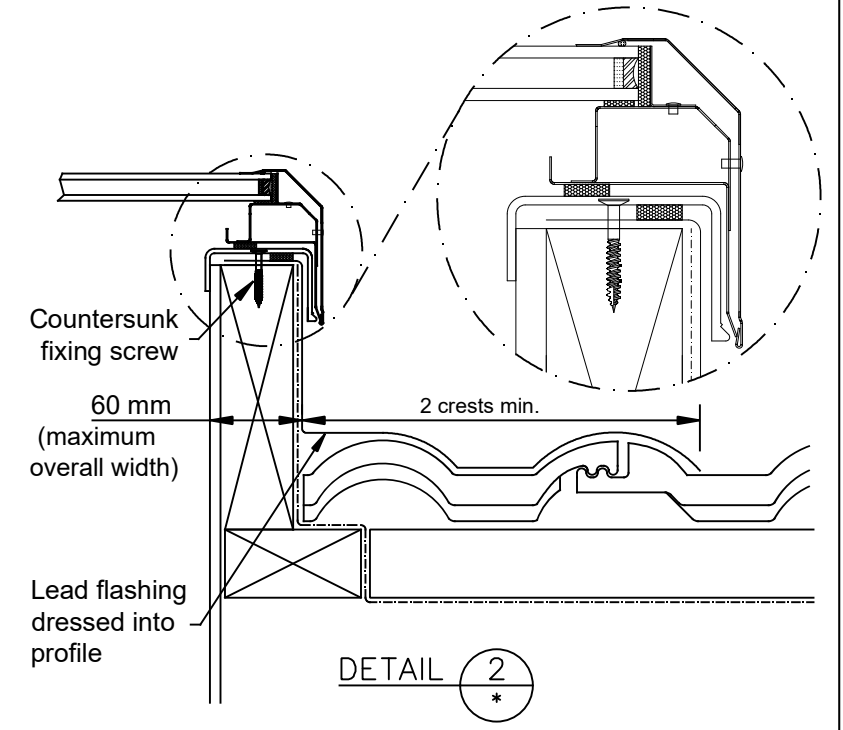
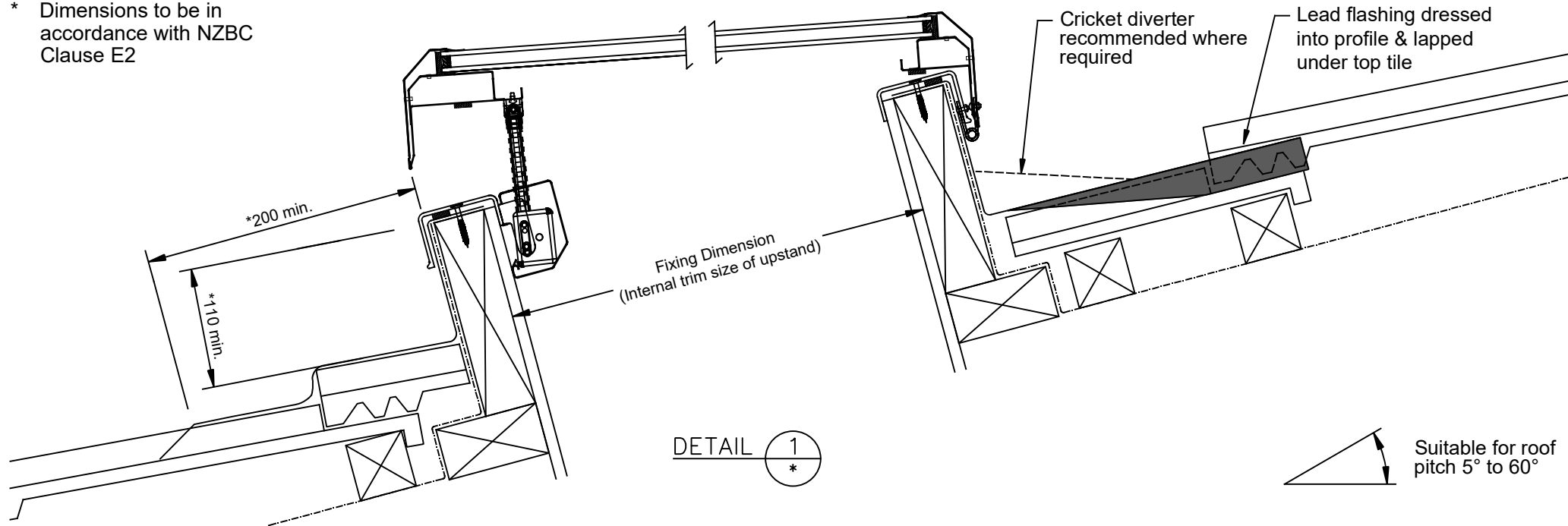
ADLUX Industries Ltd. ©  
 36 Olive Road, Penrose  
 P.O. Box 13866, Auckland  
 New Zealand.  
 Ph: (09) 636 6866  
 Fax: (09) 636 6846  
 Email: sales@adlux.co.nz

**ROOF WINDOW BASE electric opening (Double Glazed)  
 CONCRETE ROOFING TILE (Coloursteel Flashing)  
 PITCH 5° TO 60°**

DATE: 16/09/20

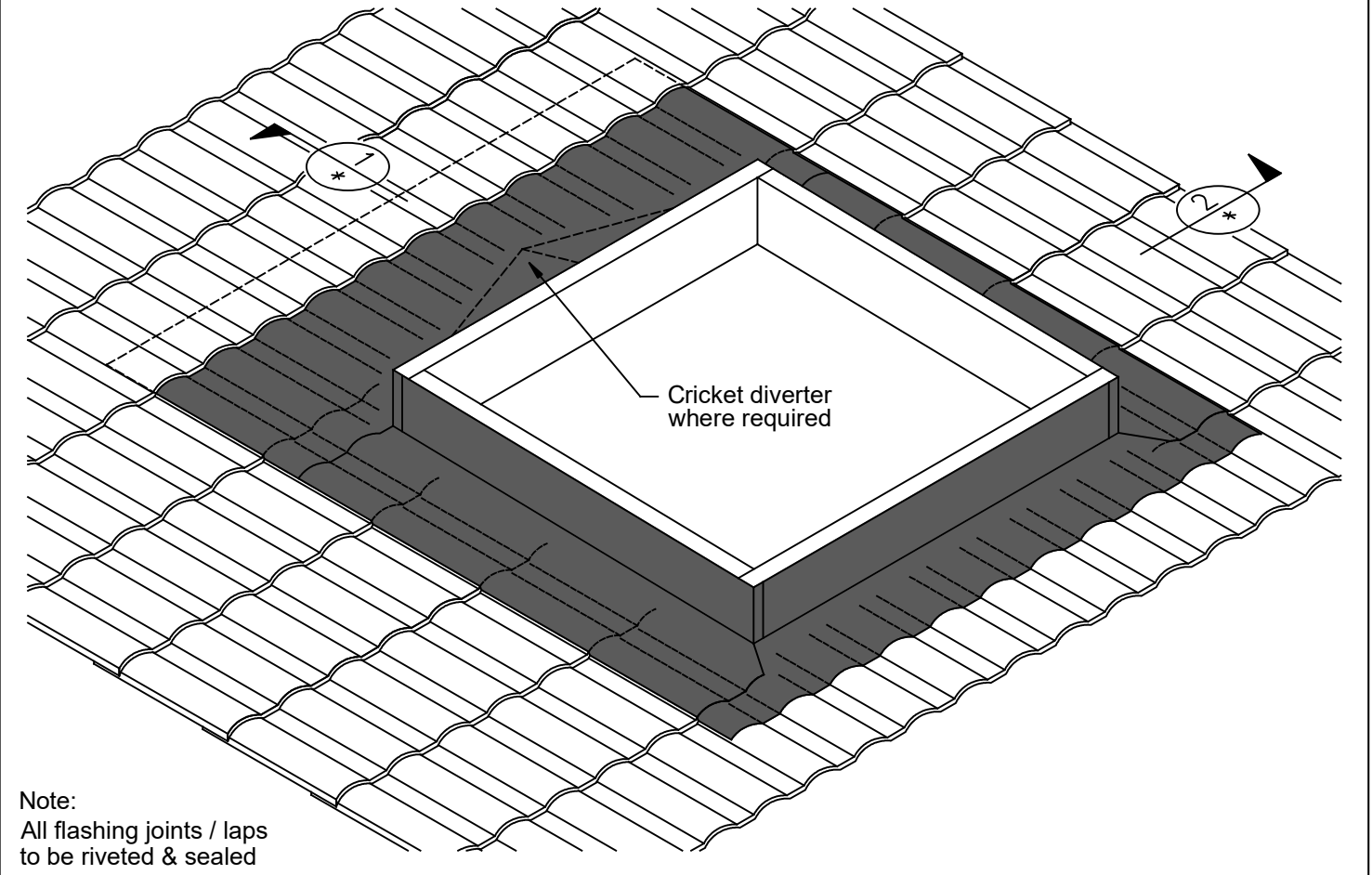
DWG No: RWBe-CT-CS

\* Dimensions to be in accordance with NZBC Clause E2



Roof Window Opening - Electric	DAYLIGHT DIMENSION		FIXING DIMENSION		OVERALL DIMENSION	
Model No.						
RWBse77	540	x 540	570	x 570	705	x 705
RWBse86	585	x 435	615	x 465	750	x 600
RWBse99	745	x 745	775	x 775	910	x 910
RWBse106	865	x 435	895	x 465	1030	x 600
RWBse107	905	x 540	1005	x 570	1030	x 705
RWBse108	865	x 665	895	x 695	1030	x 830
RWBse128	1065	x 665	1095	x 695	1230	x 830
RWBse137	1150	x 540	1180	x 570	1315	x 705
RWBse139	1190	x 785	1290	x 885	1315	x 910
RWBse148	1285	x 665	1315	x 695	1450	x 830
RWBse197	1785	x 540	1885	x 570	1910	x 705
RWBse1010	905	x 905	1005	x 1005	1030	x 1030
RWBse1212	1065	x 1025	1095	x 1055	1230	x 1190
RWBse1313	1150	x 1150	1180	x 1180	1315	x 1315
RWBse1412	1285	x 1025	1315	x 1055	1450	x 1190

Not to scale, do not scale from drawing. All details are generic in nature and should be read in conjunction with the roofing manufacturers' standard penetration details.



ADLUX Industries Ltd. ©  
 36 Olive Road, Penrose  
 P.O. Box 13866, Auckland  
 New Zealand.  
 Ph: (09) 636 6866  
 Fax: (09) 636 6846  
 Email: sales@adlux.co.nz

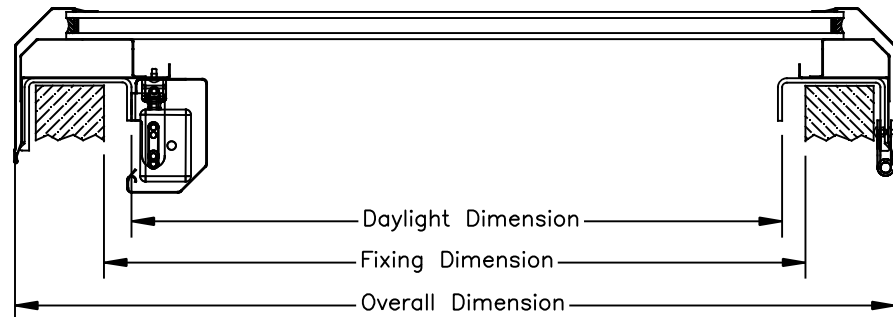
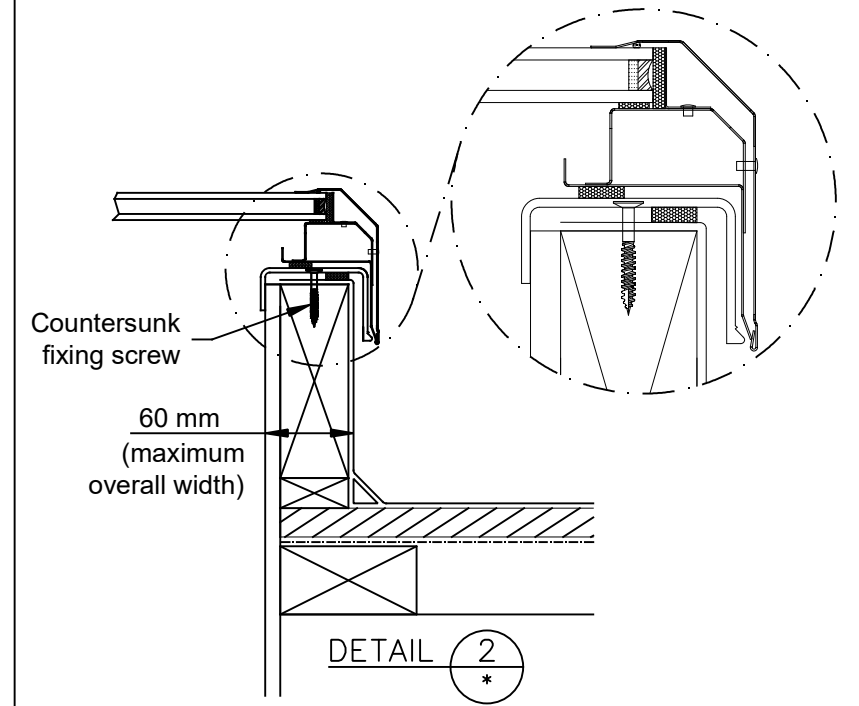
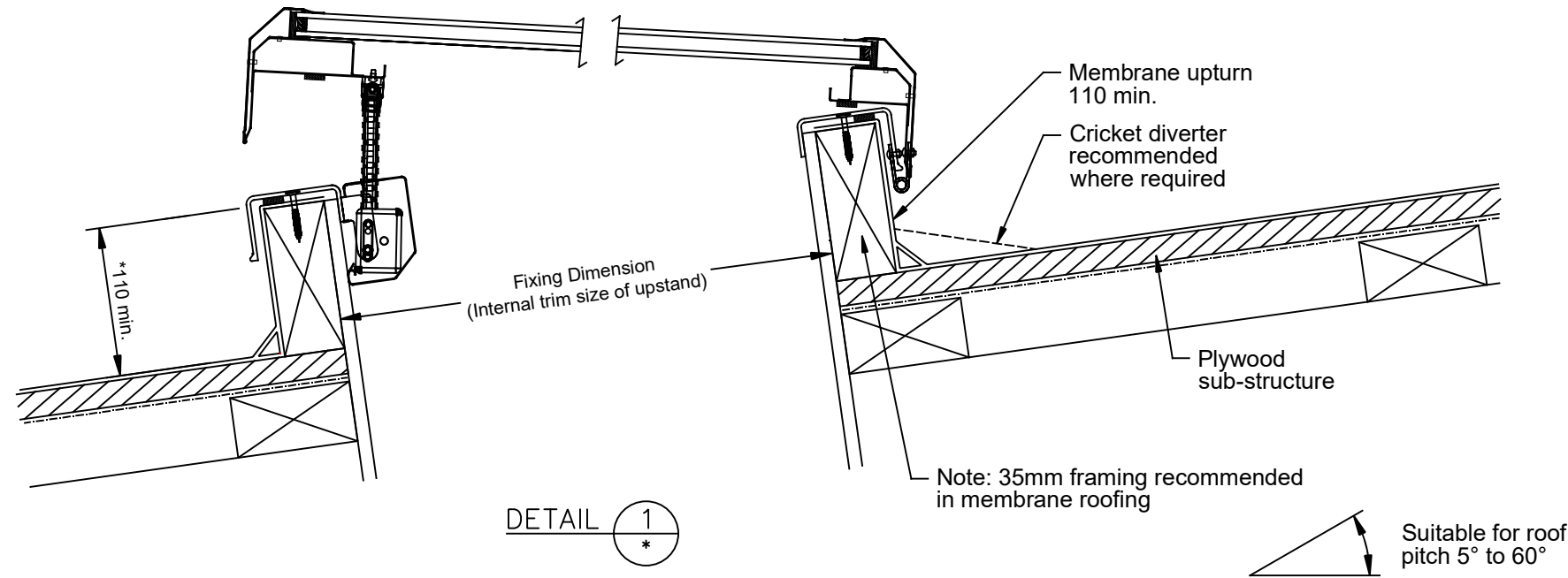
**ROOF WINDOW BASE electric opening (Double Glazed)  
 CONCRETE ROOFING TILE (Lead Flashing)  
 PITCH 5° TO 60°**

DATE: 17/09/20

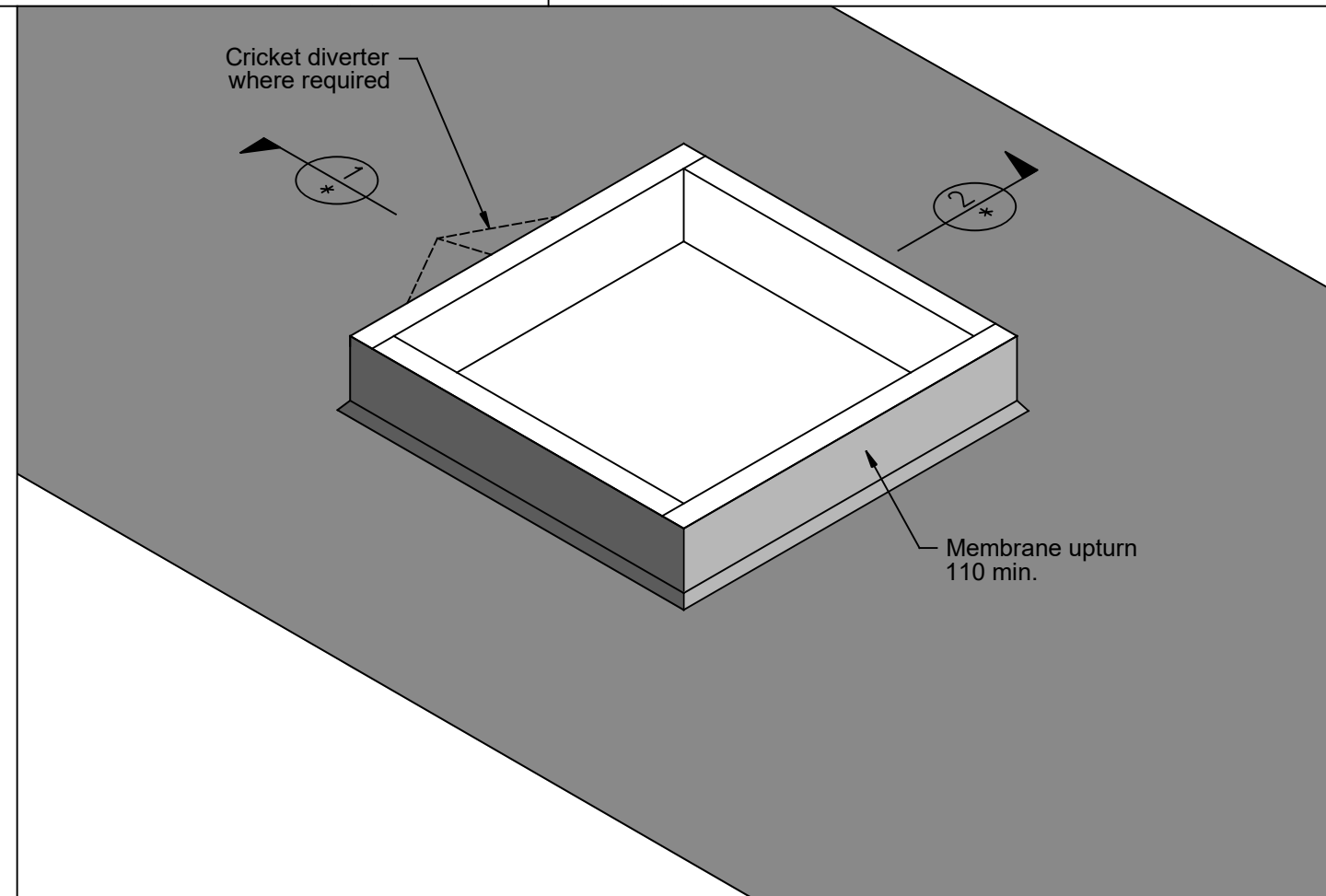
DWG No: RWBe-CT-LD



\* Dimensions to be in accordance with NZBC Clause E2



Model No.	DAYLIGHT DIMENSION		FIXING DIMENSION		OVERALL DIMENSION	
RWBse77	540	x 540	570	x 570	705	x 705
RWBse86	585	x 435	615	x 465	750	x 600
RWBse99	745	x 745	775	x 775	910	x 910
RWBse106	865	x 435	895	x 465	1030	x 600
RWBse107	905	x 540	1005	x 570	1030	x 705
RWBse108	865	x 665	895	x 695	1030	x 830
RWBse128	1065	x 665	1095	x 695	1230	x 830
RWBse137	1150	x 540	1180	x 570	1315	x 705
RWBse139	1190	x 785	1290	x 885	1315	x 910
RWBse148	1285	x 665	1315	x 695	1450	x 830
RWBse197	1785	x 540	1885	x 570	1910	x 705
RWBse1010	905	x 905	1005	x 1005	1030	x 1030
RWBse1212	1065	x 1025	1095	x 1055	1230	x 1190
RWBse1313	1150	x 1150	1180	x 1180	1315	x 1315
RWBse1412	1285	x 1025	1315	x 1055	1450	x 1190



Not to scale, do not scale from drawing. All details are generic in nature and should be read in conjunction with the roofing manufacturers' standard penetration details.



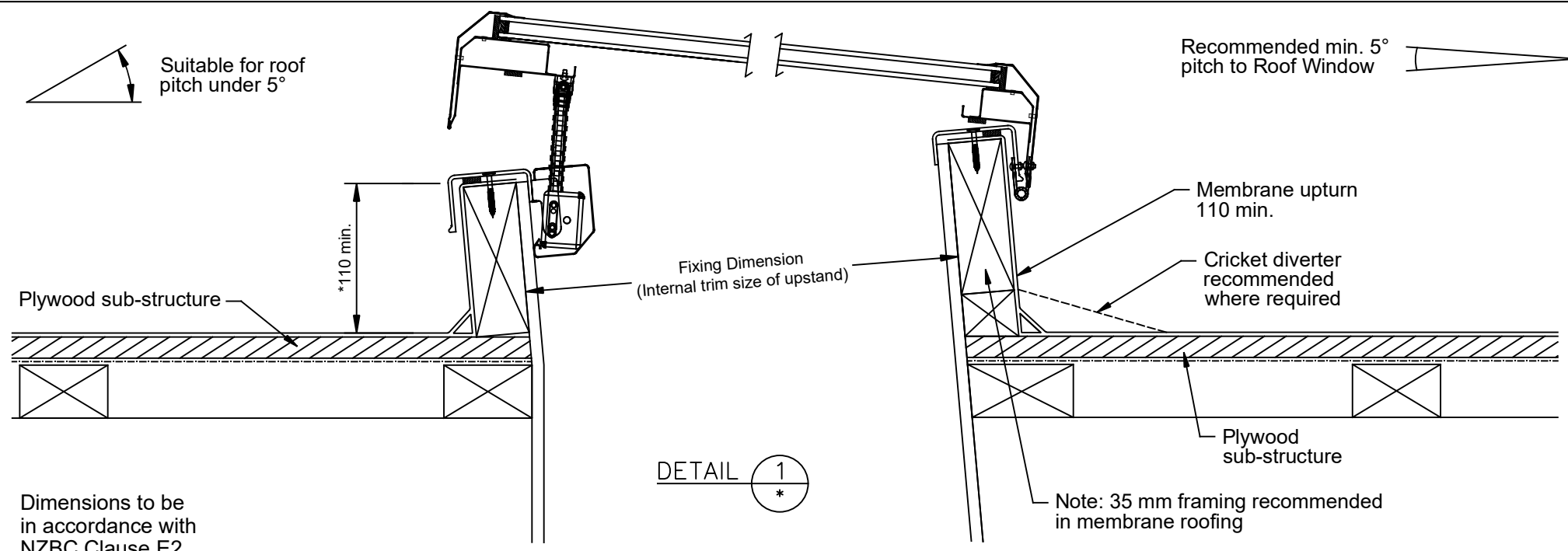
ADLUX Industries Ltd. ©  
 36 Olive Road, Penrose  
 P.O. Box 13866, Auckland  
 New Zealand.  
 Ph: (09) 636 6866  
 Fax: (09) 636 6846  
 Email: sales@adlux.co.nz

**ROOF WINDOW BASE electric opening (Double Glazed)  
 MEMBRANE ROOFING  
 PITCH 5° TO 60°**

DATE: 18/09/20

DWG No: RWBe-MEM

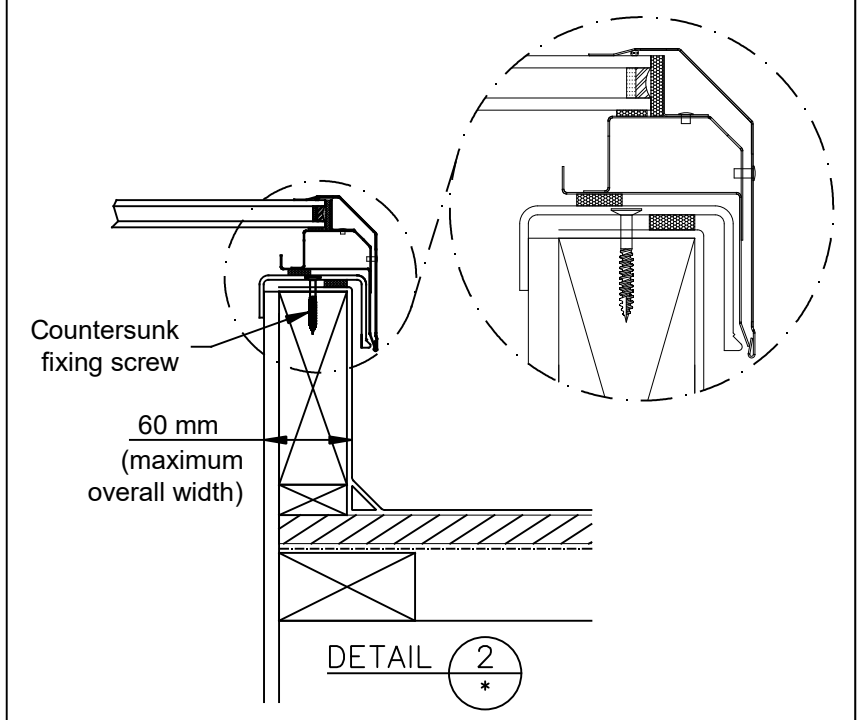
Suitable for roof pitch under 5°



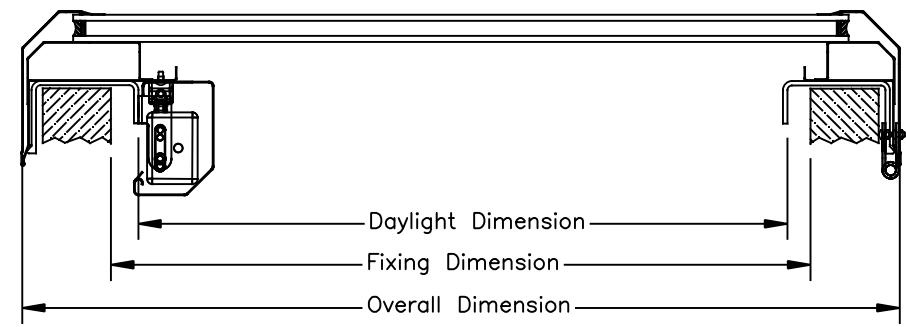
DETAIL 1

\* Dimensions to be in accordance with NZBC Clause E2

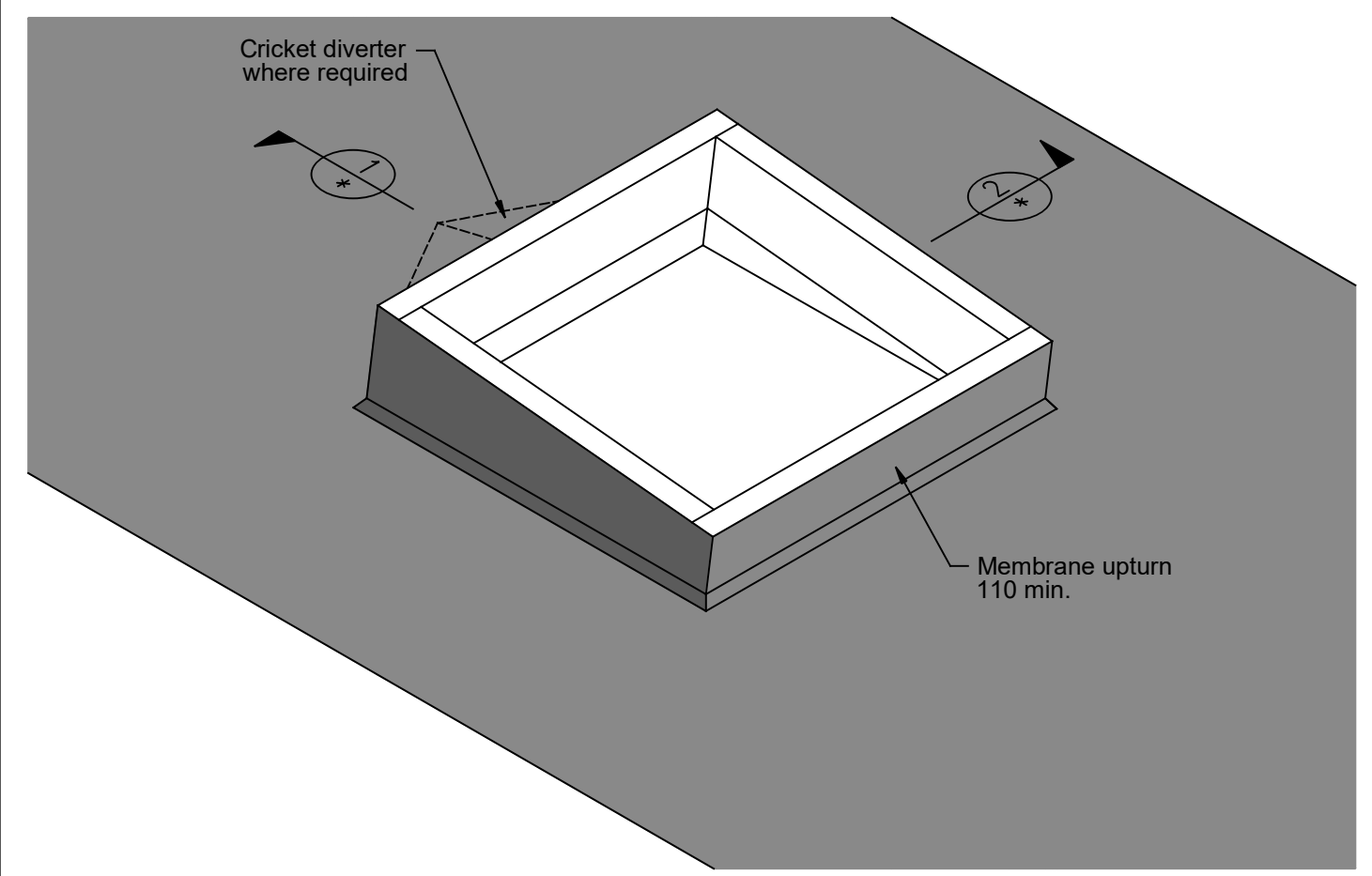
Recommended min. 5° pitch to Roof Window



DETAIL 2



Roof Window Opening - Electric						
Model No.	DAYLIGHT DIMENSION		FIXING DIMENSION		OVERALL DIMENSION	
RWBse77	540	x	540	570	x	570
RWBse86	585	x	435	615	x	465
RWBse99	745	x	745	775	x	775
RWBse106	865	x	435	895	x	465
RWBse107	905	x	540	1005	x	570
RWBse108	865	x	665	895	x	695
RWBse128	1065	x	665	1095	x	695
RWBse137	1150	x	540	1180	x	570
RWBse139	1190	x	785	1290	x	885
RWBse148	1285	x	665	1315	x	695
RWBse197	1785	x	540	1885	x	570
RWBse1010	905	x	905	1005	x	1005
RWBse1212	1065	x	1025	1095	x	1055
RWBse1313	1150	x	1150	1180	x	1180
RWBse1412	1285	x	1025	1315	x	1055



Not to scale, do not scale from drawing. All details are generic in nature and should be read in conjunction with the roofing manufacturers' standard penetration details.



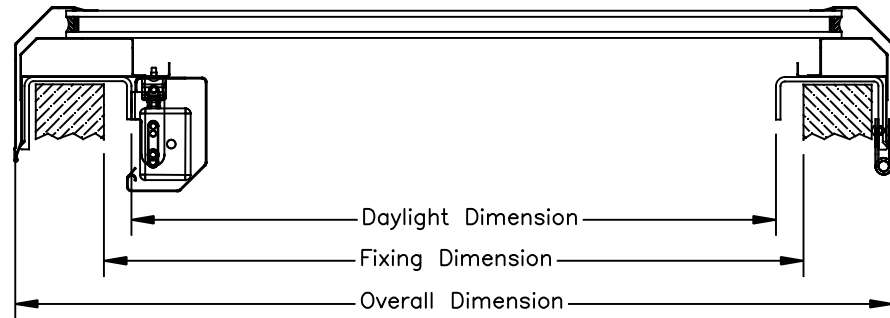
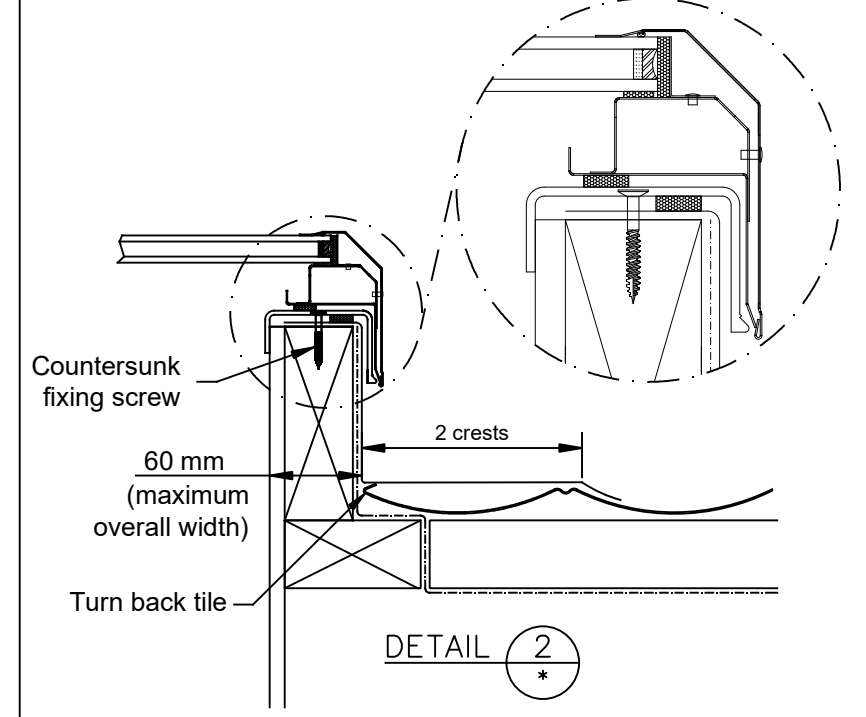
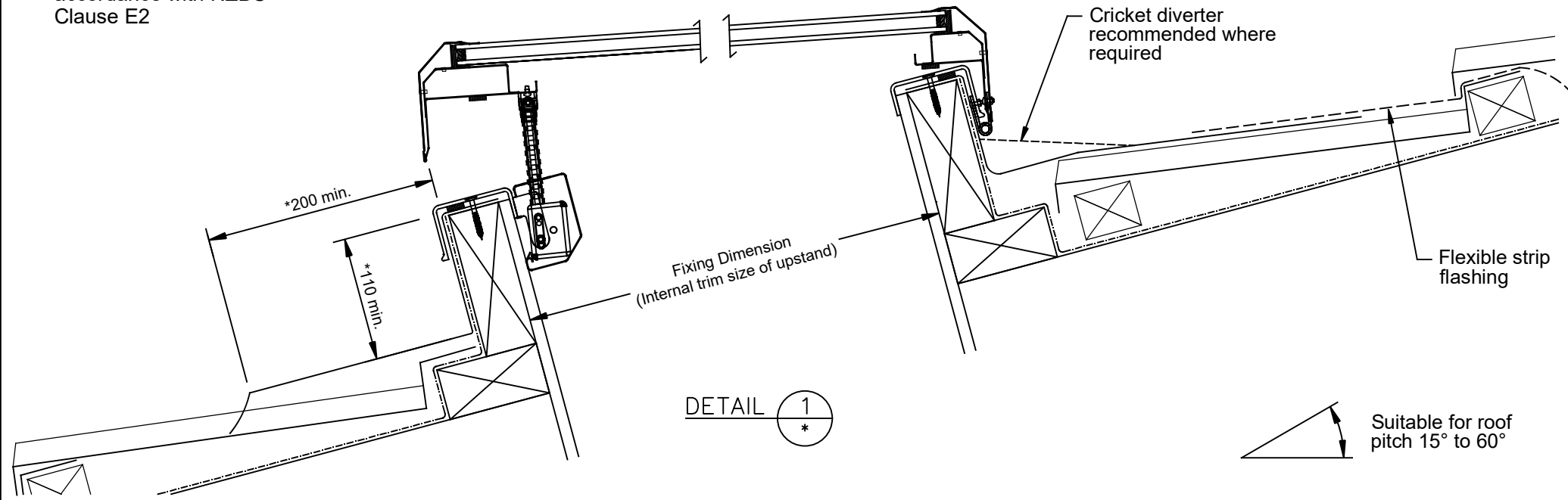
ADLUX Industries Ltd. ©  
 36 Olive Road, Penrose  
 P.O. Box 13866, Auckland  
 New Zealand.  
 Ph: (09) 636 6866  
 Fax: (09) 636 6846  
 Email: sales@adlux.co.nz

**ROOF WINDOW BASE electric opening (Double Glazed)**  
**MEMBRANE ROOFING (Pitched Upstand)**  
 For roofs less than 5°

DATE: 18/09/20

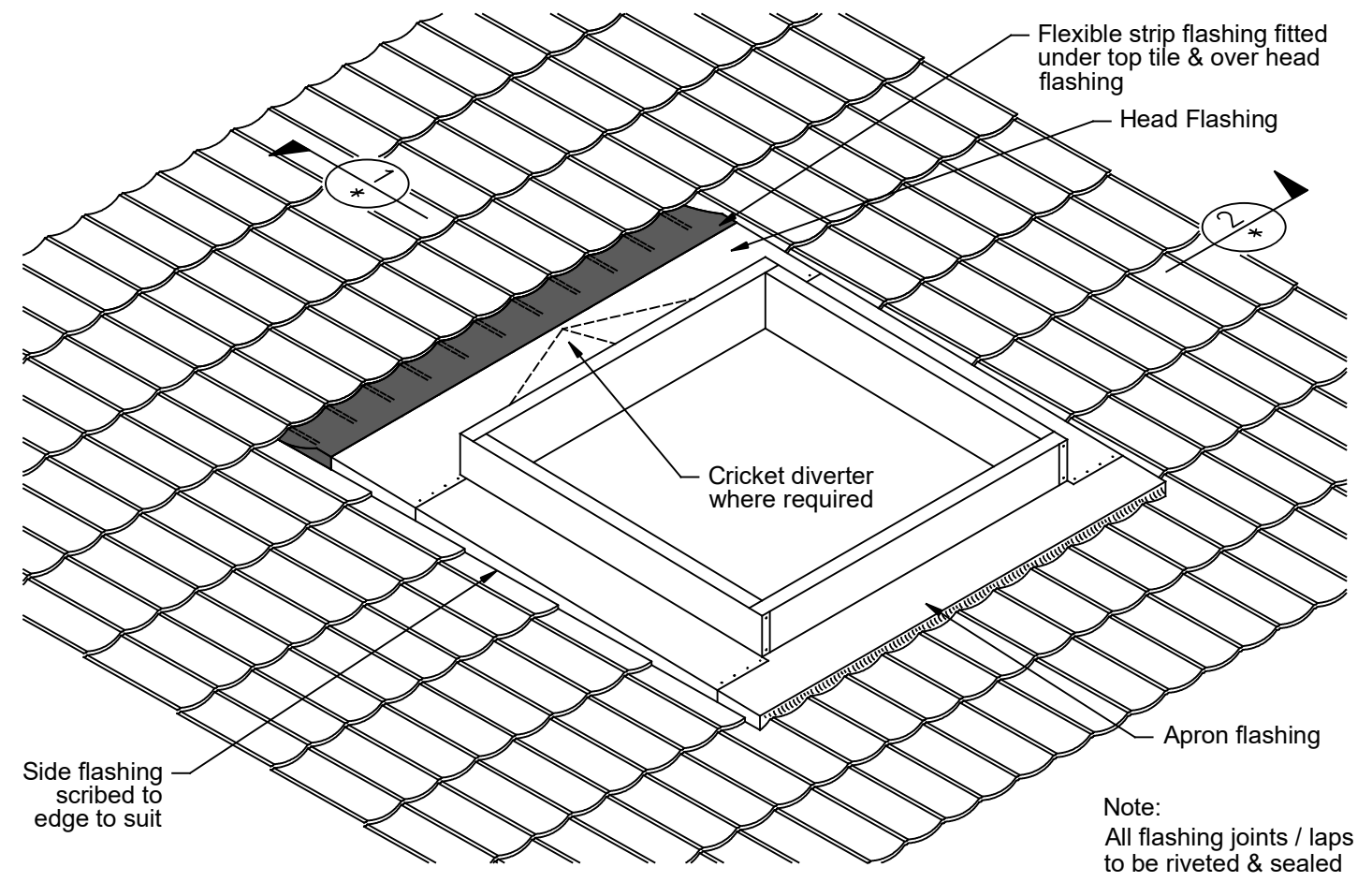
DWG No: RWBe-MEM-PU

\* Dimensions to be in accordance with NZBC Clause E2



Model No.	DAYLIGHT DIMENSION		FIXING DIMENSION		OVERALL DIMENSION	
RWBse77	540	x 540	570	x 570	705	x 705
RWBse86	585	x 435	615	x 465	750	x 600
RWBse99	745	x 745	775	x 775	910	x 910
RWBse106	865	x 435	895	x 465	1030	x 600
RWBse107	905	x 540	1005	x 570	1030	x 705
RWBse108	865	x 665	895	x 695	1030	x 830
RWBse128	1065	x 665	1095	x 695	1230	x 830
RWBse137	1150	x 540	1180	x 570	1315	x 705
RWBse139	1190	x 785	1290	x 885	1315	x 910
RWBse148	1285	x 665	1315	x 695	1450	x 830
RWBse197	1785	x 540	1885	x 570	1910	x 705
RWBse1010	905	x 905	1005	x 1005	1030	x 1030
RWBse1212	1065	x 1025	1095	x 1055	1230	x 1190
RWBse1313	1150	x 1150	1180	x 1180	1315	x 1315
RWBse1412	1285	x 1025	1315	x 1055	1450	x 1190

Not to scale, do not scale from drawing. All details are generic in nature and should be read in conjunction with the roofing manufacturers' standard penetration details.



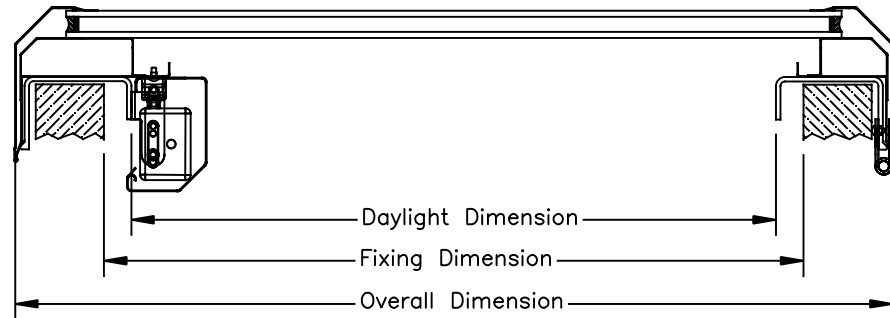
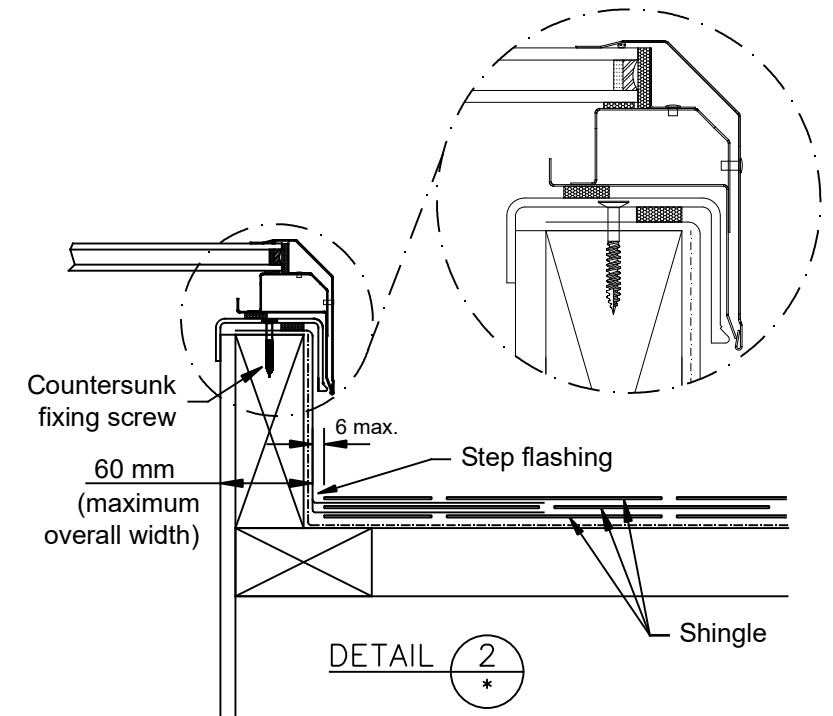
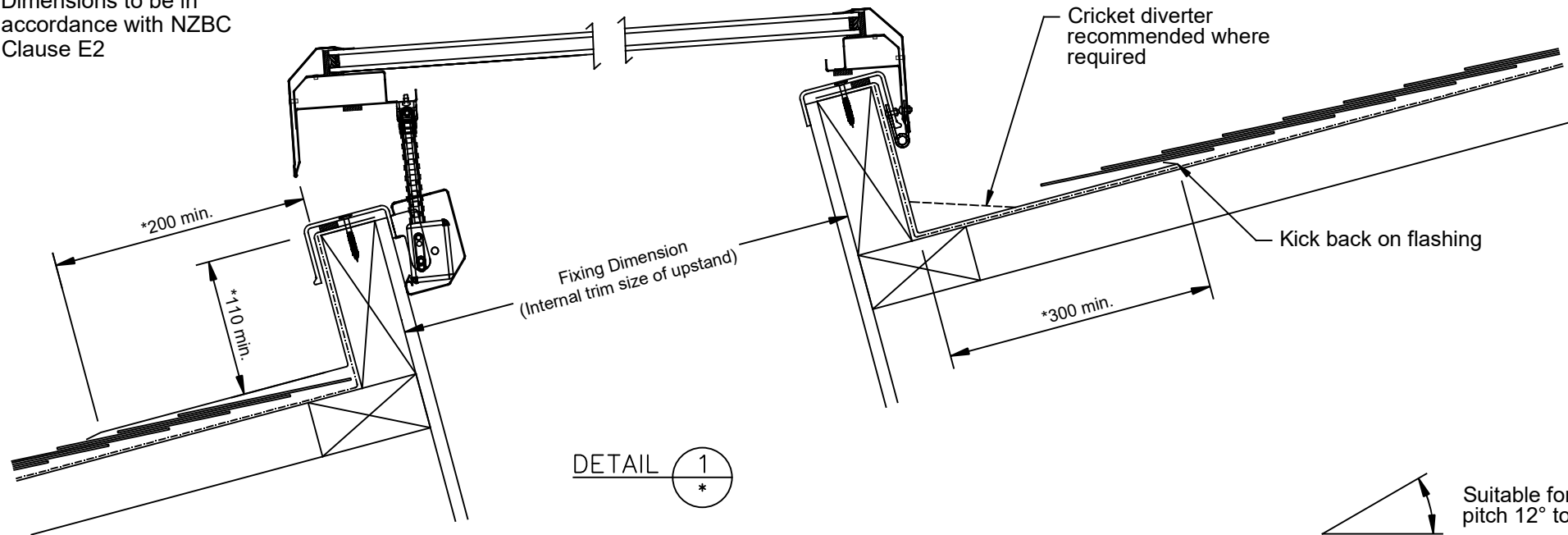
ADLUX Industries Ltd. ©  
 36 Olive Road, Penrose  
 P.O. Box 13866, Auckland  
 New Zealand.  
 Ph: (09) 636 6866  
 Fax: (09) 636 6846  
 Email: sales@adlux.co.nz

**ROOF WINDOW BASE electric opening (Double Glazed)  
 METAL ROOFING TILE  
 PITCH 15° TO 60°**

DATE: 18/09/20

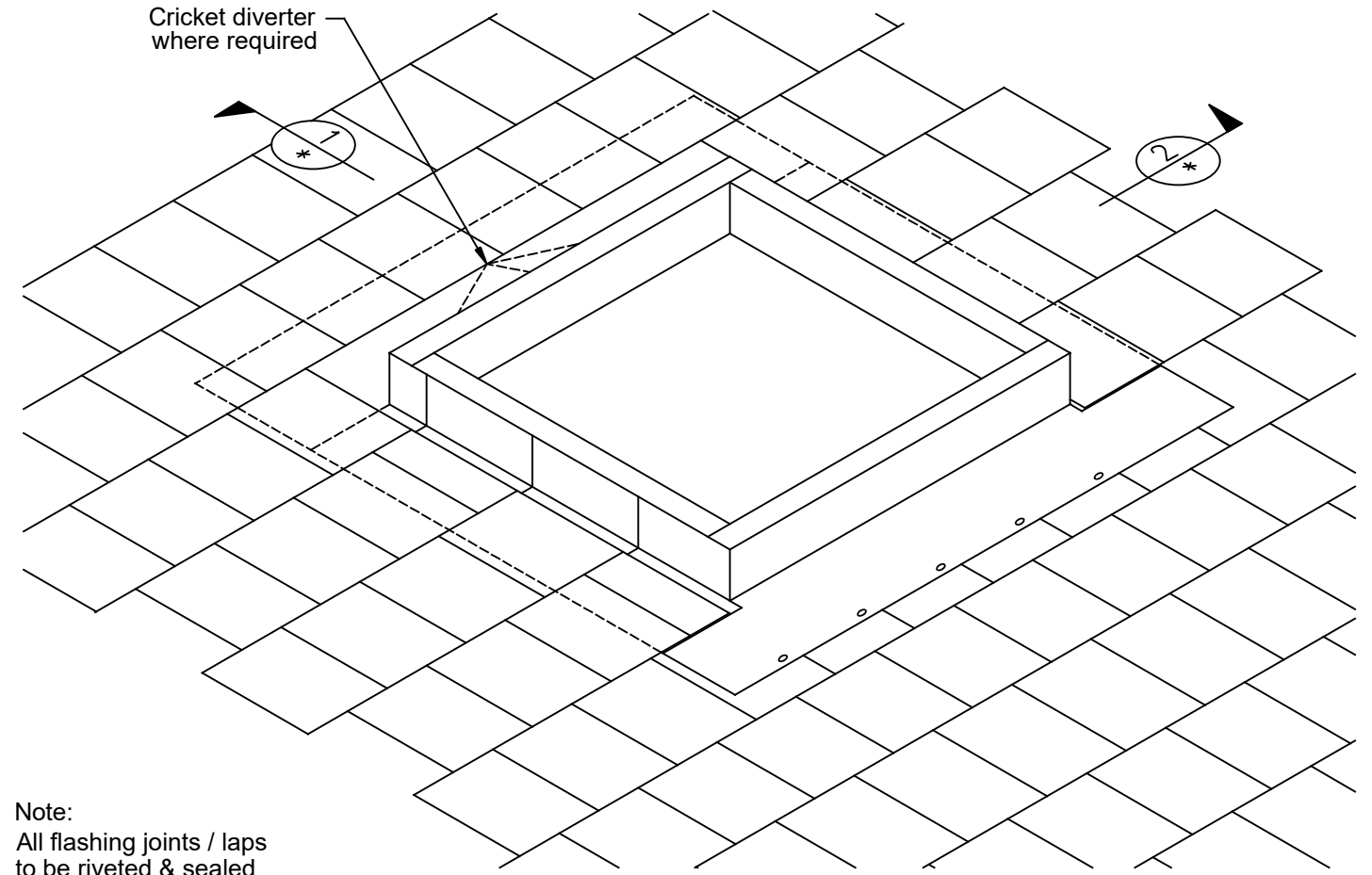
DWG No: RWBe-MT

\* Dimensions to be in accordance with NZBC Clause E2



Model No.	DAYLIGHT DIMENSION		FIXING DIMENSION		OVERALL DIMENSION	
RWBse77	540	x 540	570	x 570	705	x 705
RWBse86	585	x 435	615	x 465	750	x 600
RWBse99	745	x 745	775	x 775	910	x 910
RWBse106	865	x 435	895	x 465	1030	x 600
RWBse107	905	x 540	1005	x 570	1030	x 705
RWBse108	865	x 665	895	x 695	1030	x 830
RWBse128	1065	x 665	1095	x 695	1230	x 830
RWBse137	1150	x 540	1180	x 570	1315	x 705
RWBse139	1190	x 785	1290	x 885	1315	x 910
RWBse148	1285	x 665	1315	x 695	1450	x 830
RWBse197	1785	x 540	1885	x 570	1910	x 705
RWBse1010	905	x 905	1005	x 1005	1030	x 1030
RWBse1212	1065	x 1025	1095	x 1055	1230	x 1190
RWBse1313	1150	x 1150	1180	x 1180	1315	x 1315
RWBse1412	1285	x 1025	1315	x 1055	1450	x 1190

Not to scale, do not scale from drawing. All details are generic in nature and should be read in conjunction with the roofing manufacturers' standard penetration details.



ADLUX Industries Ltd. ©  
 36 Olive Road, Penrose  
 P.O. Box 13866, Auckland  
 New Zealand.  
 Ph: (09) 636 6866  
 Fax: (09) 636 6846  
 Email: sales@adlux.co.nz

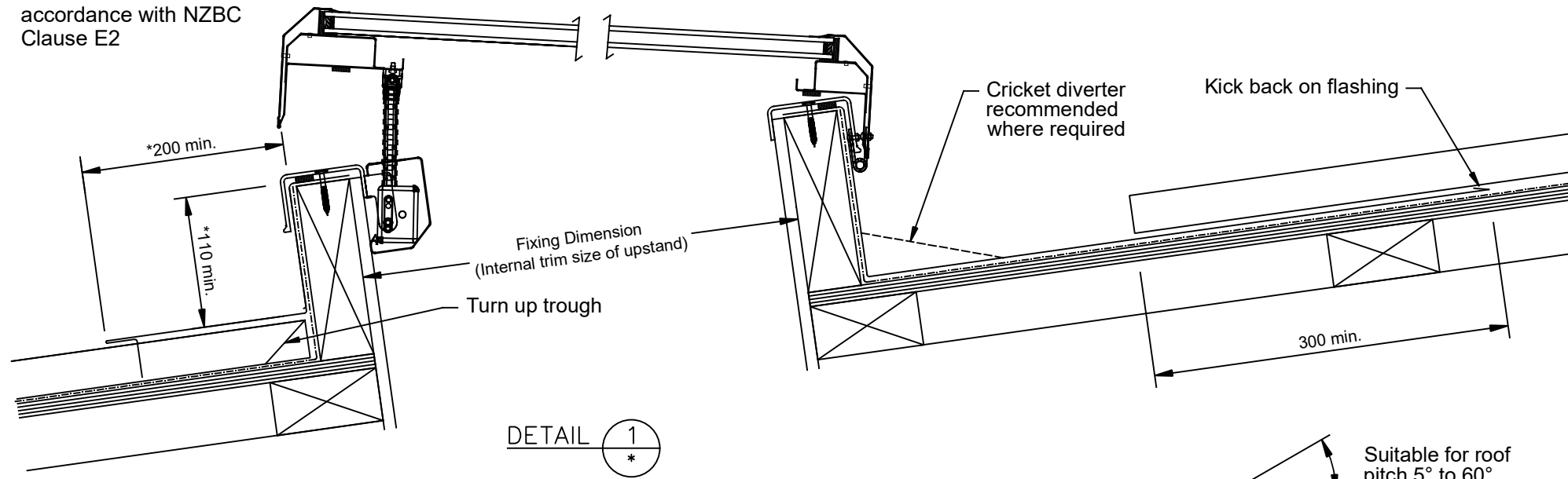
**ROOF WINDOW BASE electric opening (Double Glazed)  
 SLATE / SHINGLE ROOFING TILE  
 PITCH 12° TO 60°**

DATE: 18/09/20

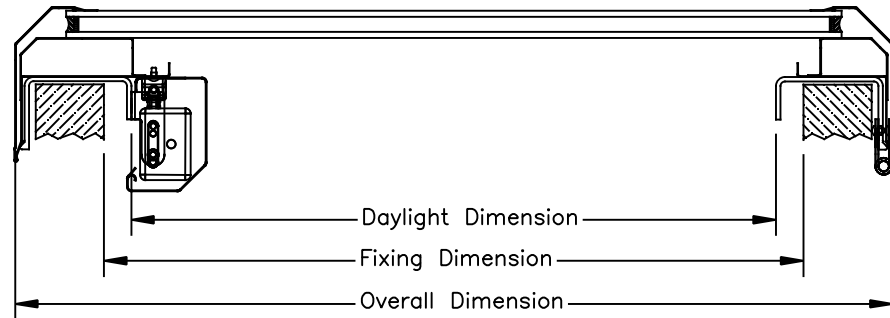
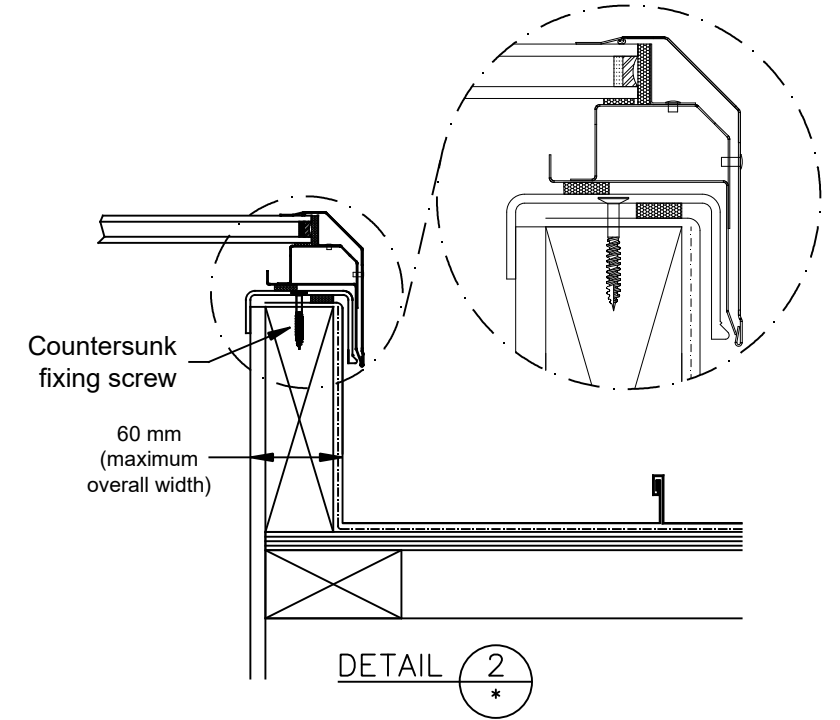
DWG No: RWBe-SL/SH



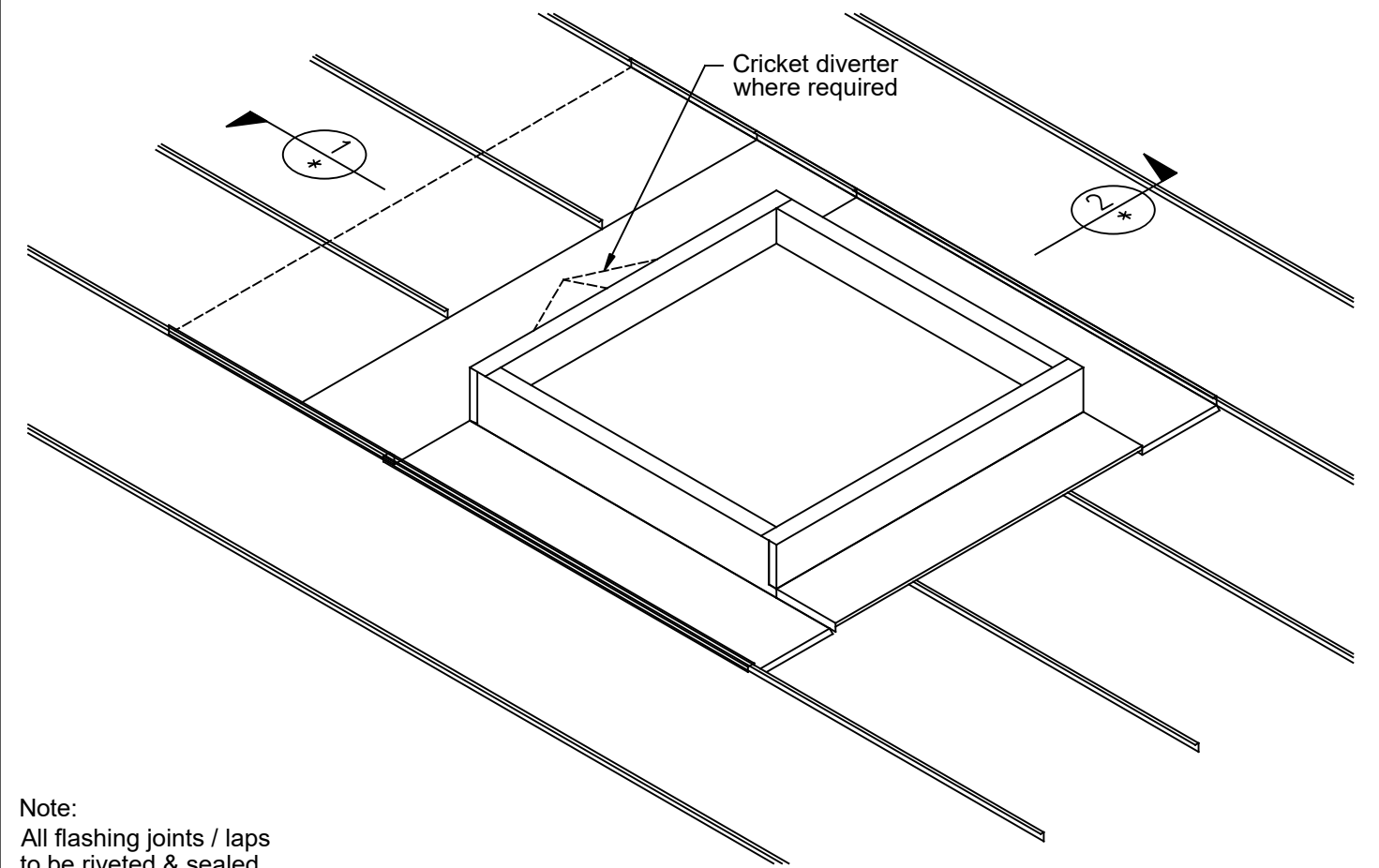
\* Dimensions to be in accordance with NZBC Clause E2



DETAIL 1



Model No.	DAYLIGHT DIMENSION		FIXING DIMENSION		OVERALL DIMENSION	
RWBse77	540	x 540	570	x 570	705	x 705
RWBse86	585	x 435	615	x 465	750	x 600
RWBse99	745	x 745	775	x 775	910	x 910
RWBse106	865	x 435	895	x 465	1030	x 600
RWBse107	905	x 540	1005	x 570	1030	x 705
RWBse108	865	x 665	895	x 695	1030	x 830
RWBse128	1065	x 665	1095	x 695	1230	x 830
RWBse137	1150	x 540	1180	x 570	1315	x 705
RWBse139	1190	x 785	1290	x 885	1315	x 910
RWBse148	1285	x 665	1315	x 695	1450	x 830
RWBse197	1785	x 540	1885	x 570	1910	x 705
RWBse1010	905	x 905	1005	x 1005	1030	x 1030
RWBse1212	1065	x 1025	1095	x 1055	1230	x 1190
RWBse1313	1150	x 1150	1180	x 1180	1315	x 1315
RWBse1412	1285	x 1025	1315	x 1055	1450	x 1190



Not to scale, do not scale from drawing. All details are generic in nature and should be read in conjunction with the roofing manufacturers' standard penetration details.



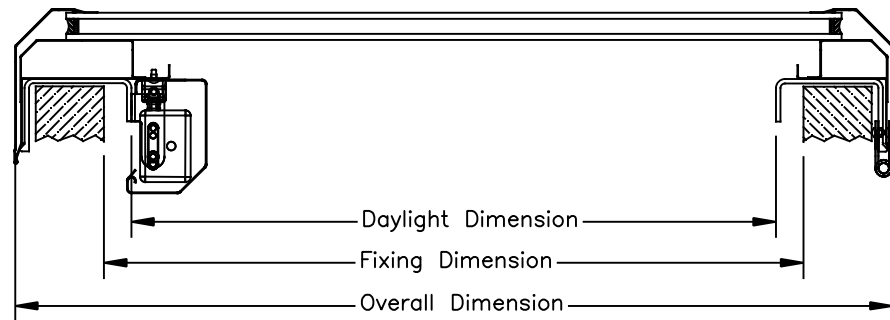
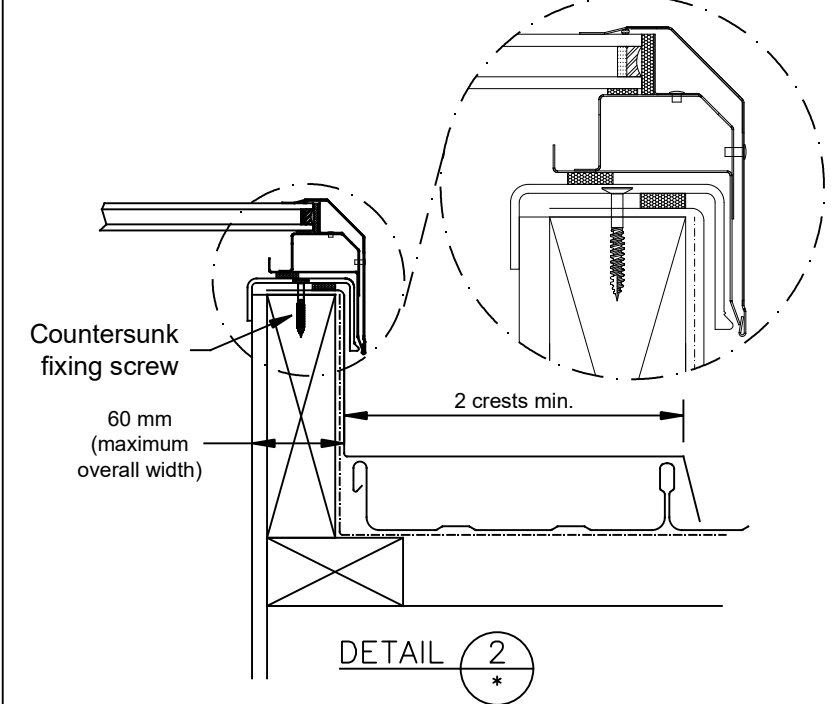
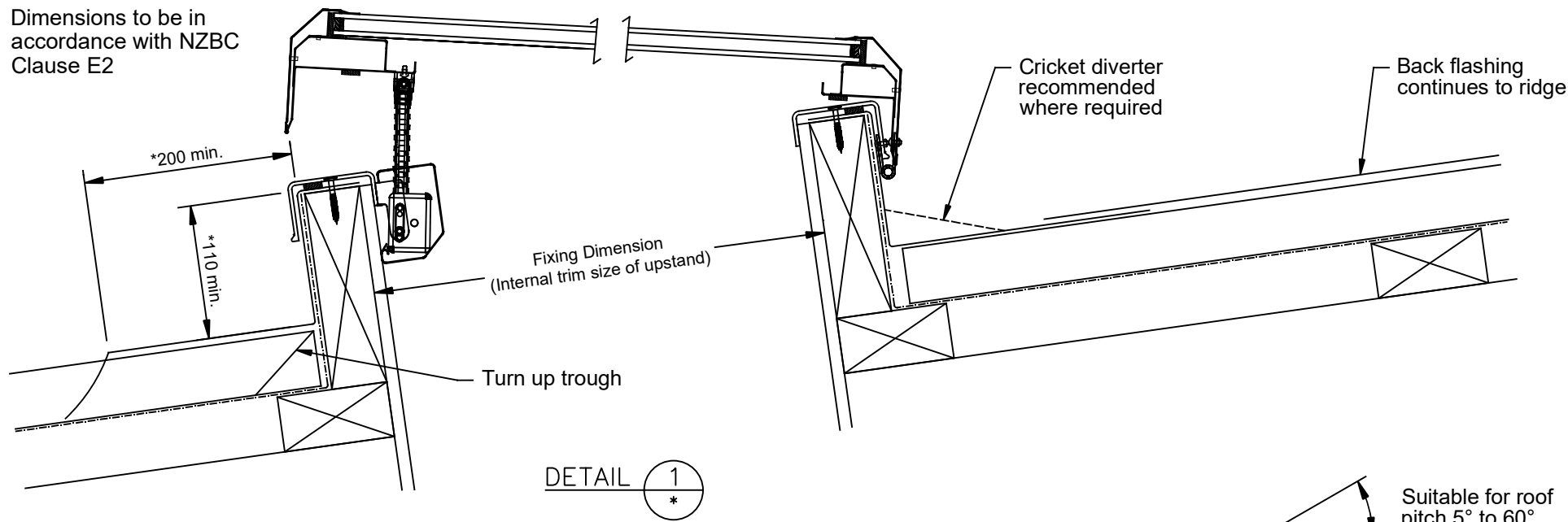
ADLUX Industries Ltd. ©  
 36 Olive Road, Penrose  
 P.O. Box 13866, Auckland  
 New Zealand.  
 Ph: (09) 636 6866  
 Fax: (09) 636 6846  
 Email: sales@adlux.co.nz

**ROOF WINDOW BASE electric opening (Double Glazed)**  
**STANDING SEAM ROOFING PROFILE**  
**PITCH 5° TO 60°**

DATE: 18/09/20

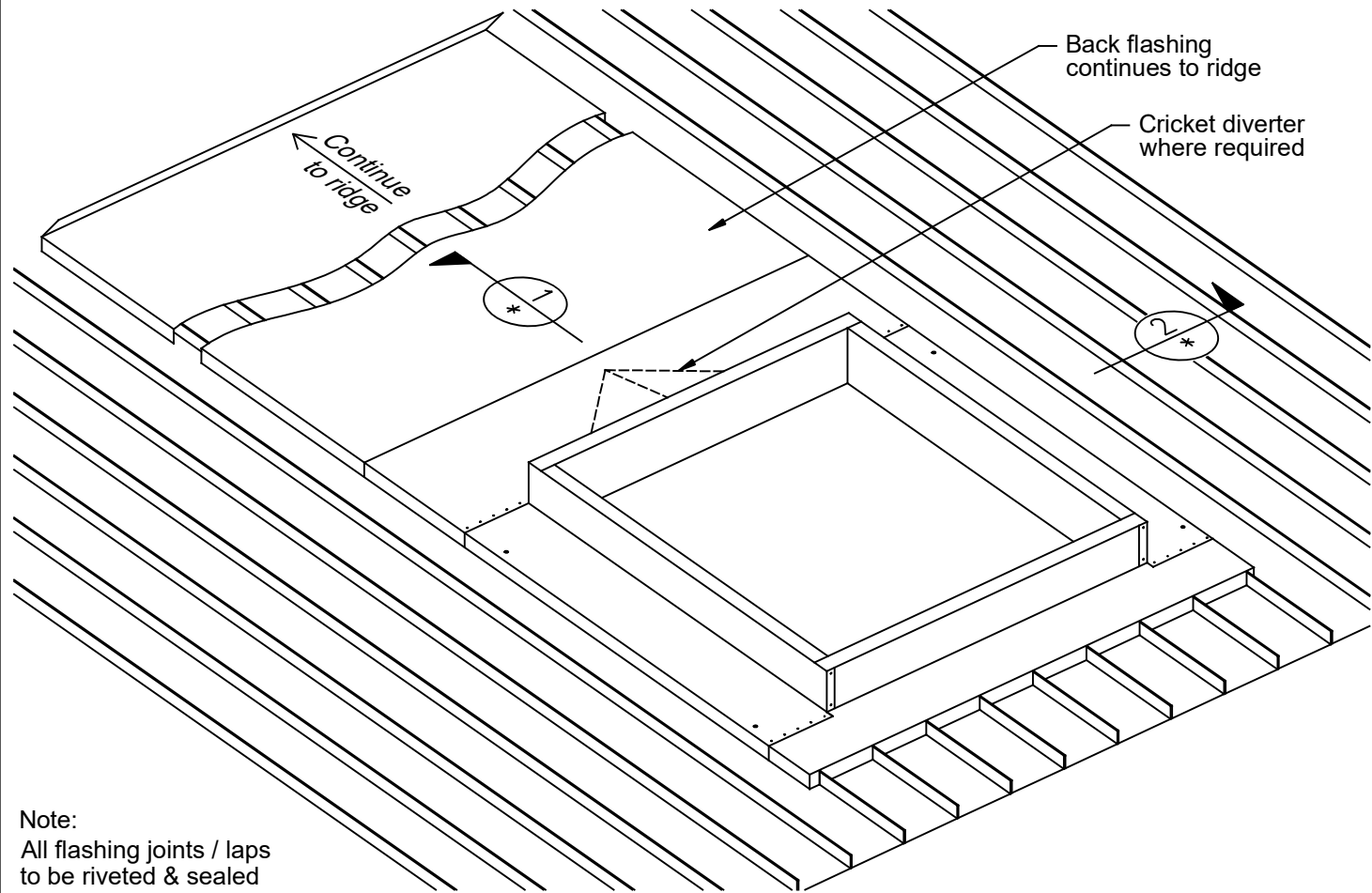
DWG No: RWBe-SS

\* Dimensions to be in accordance with NZBC Clause E2



Model No.	DAYLIGHT DIMENSION		FIXING DIMENSION		OVERALL DIMENSION	
RWBse77	540	x 540	570	x 570	705	x 705
RWBse86	585	x 435	615	x 465	750	x 600
RWBse99	745	x 745	775	x 775	910	x 910
RWBse106	865	x 435	895	x 465	1030	x 600
RWBse107	905	x 540	1005	x 570	1030	x 705
RWBse108	865	x 665	895	x 695	1030	x 830
RWBse128	1065	x 665	1095	x 695	1230	x 830
RWBse137	1150	x 540	1180	x 570	1315	x 705
RWBse139	1190	x 785	1290	x 885	1315	x 910
RWBse148	1285	x 665	1315	x 695	1450	x 830
RWBse197	1785	x 540	1885	x 570	1910	x 705
RWBse1010	905	x 905	1005	x 1005	1030	x 1030
RWBse1212	1065	x 1025	1095	x 1055	1230	x 1190
RWBse1313	1150	x 1150	1180	x 1180	1315	x 1315
RWBse1412	1285	x 1025	1315	x 1055	1450	x 1190

Not to scale, do not scale from drawing. All details are generic in nature and should be read in conjunction with the roofing manufacturers' standard penetration details.



Note:  
All flashing joints / laps to be riveted & sealed

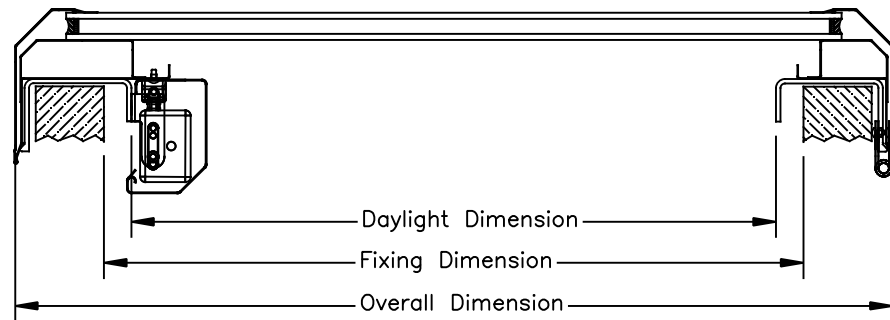
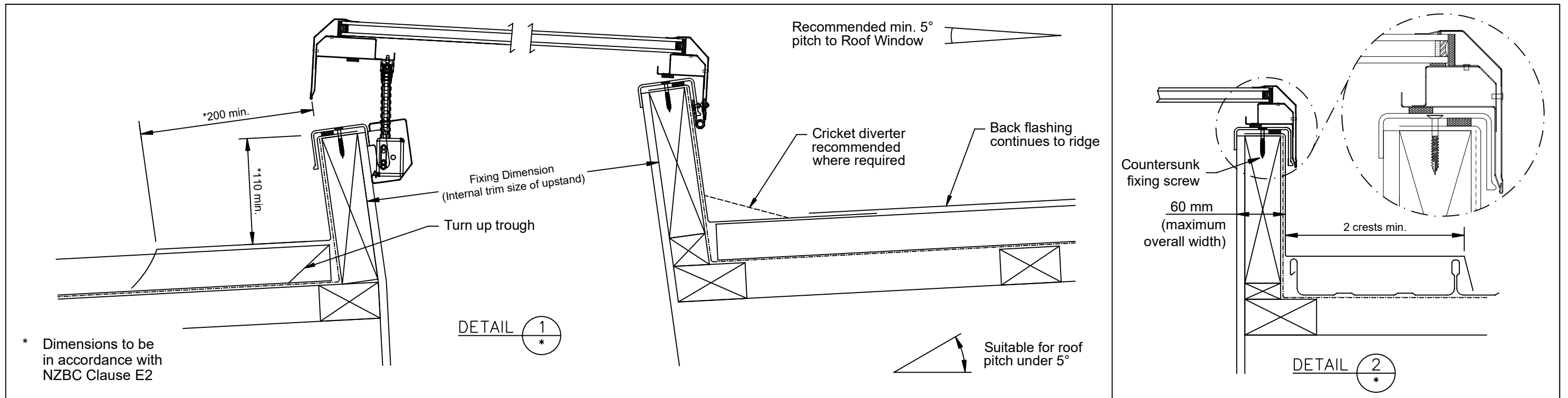


ADLUX Industries Ltd. ©  
36 Olive Road, Penrose  
P.O. Box 13866, Auckland  
New Zealand.  
Ph: (09) 636 6866  
Fax: (09) 636 6846  
Email: sales@adlux.co.nz

ROOF WINDOW BASE electric opening (Double Glazed)  
TROUGH SECTION PROFILE (Back Tray)  
PITCH 5° TO 60°

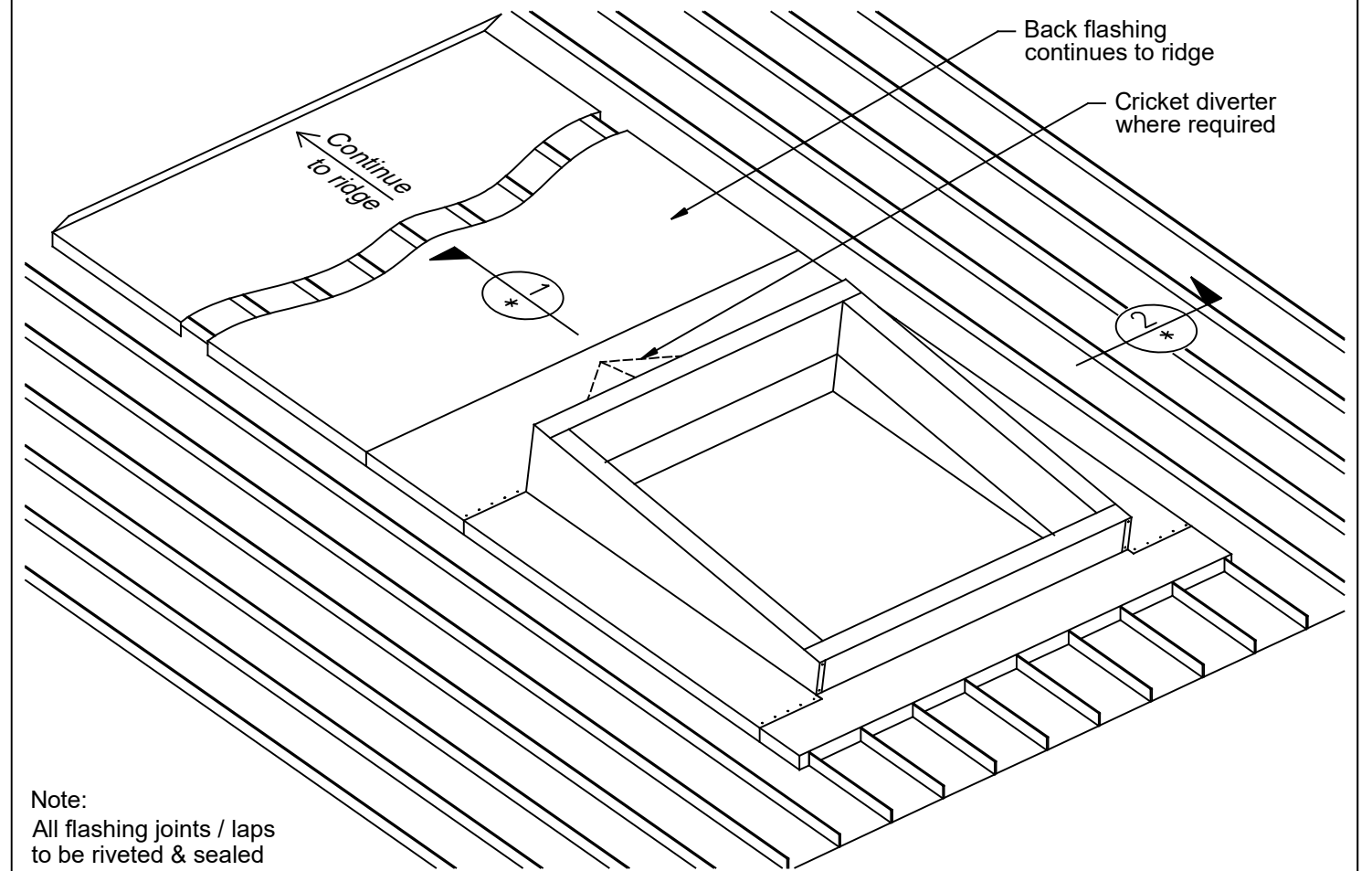
DATE: 18/09/20

DWG No: RWBe-TR-BT



Roof Window Opening - Electric	DAYLIGHT DIMENSION		FIXING DIMENSION		OVERALL DIMENSION	
Model No.						
RWBse77	540	x 540	570	x 570	705	x 705
RWBse86	585	x 435	615	x 465	750	x 600
RWBse99	745	x 745	775	x 775	910	x 910
RWBse106	865	x 435	895	x 465	1030	x 600
RWBse107	905	x 540	1005	x 570	1030	x 705
RWBse108	865	x 665	895	x 695	1030	x 830
RWBse128	1065	x 665	1095	x 695	1230	x 830
RWBse137	1150	x 540	1180	x 570	1315	x 705
RWBse139	1190	x 785	1290	x 885	1315	x 910
RWBse148	1285	x 665	1315	x 695	1450	x 830
RWBse197	1785	x 540	1885	x 570	1910	x 705
RWBse1010	905	x 905	1005	x 1005	1030	x 1030
RWBse1212	1065	x 1025	1095	x 1055	1230	x 1190
RWBse1313	1150	x 1150	1180	x 1180	1315	x 1315
RWBse1412	1285	x 1025	1315	x 1055	1450	x 1190

Not to scale, do not scale from drawing. All details are generic in nature and should be read in conjunction with the roofing manufacturers' standard penetration details.



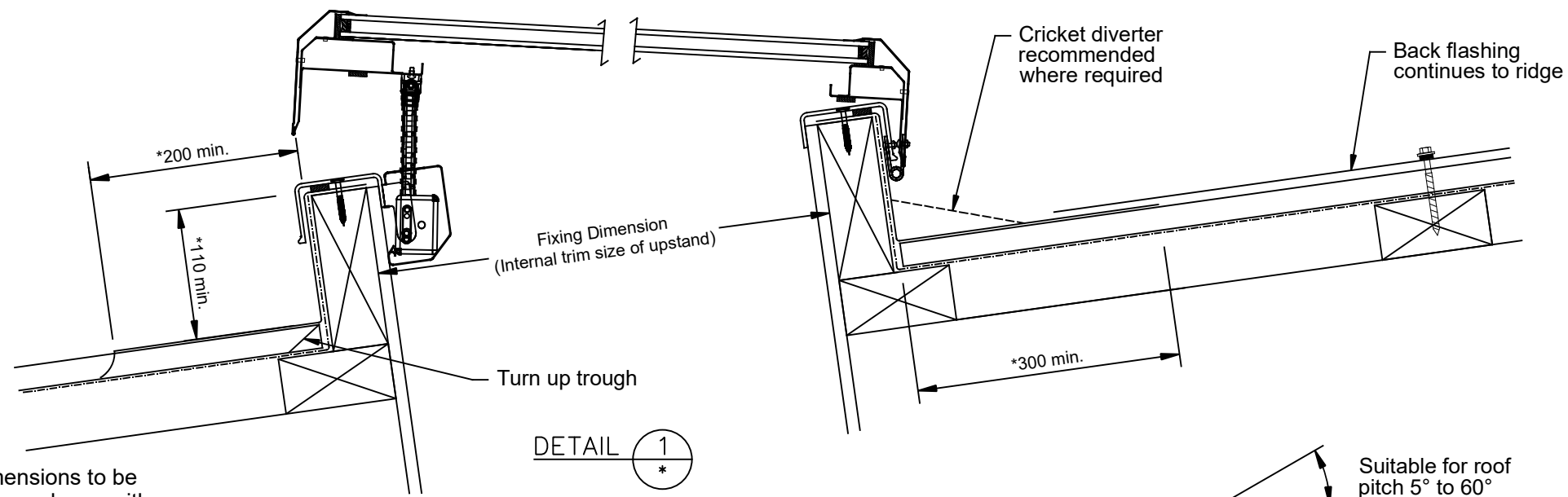
ADLUX Industries Ltd. ©  
36 Olive Road, Penrose  
P.O. Box 13866, Auckland  
New Zealand.  
Ph: (09) 636 6866  
Fax: (09) 636 6846  
Email: sales@adlux.co.nz

ROOF WINDOW BASE electric opening (Double Glazed)  
TROUGH SECTION PROFILE (Back Tray with Pitched Upstand)  
For roofs less than 5°

DATE: 18/09/20

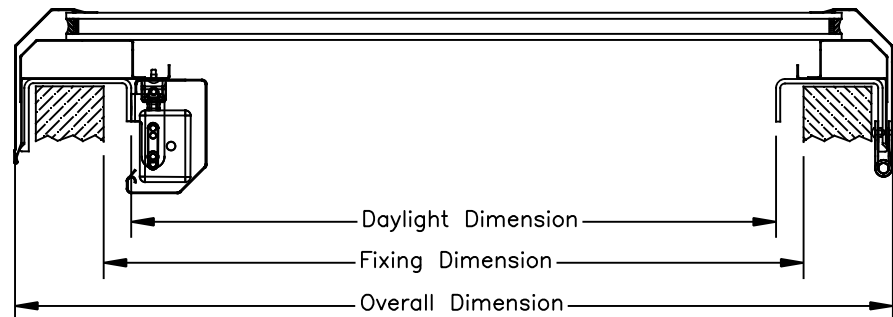
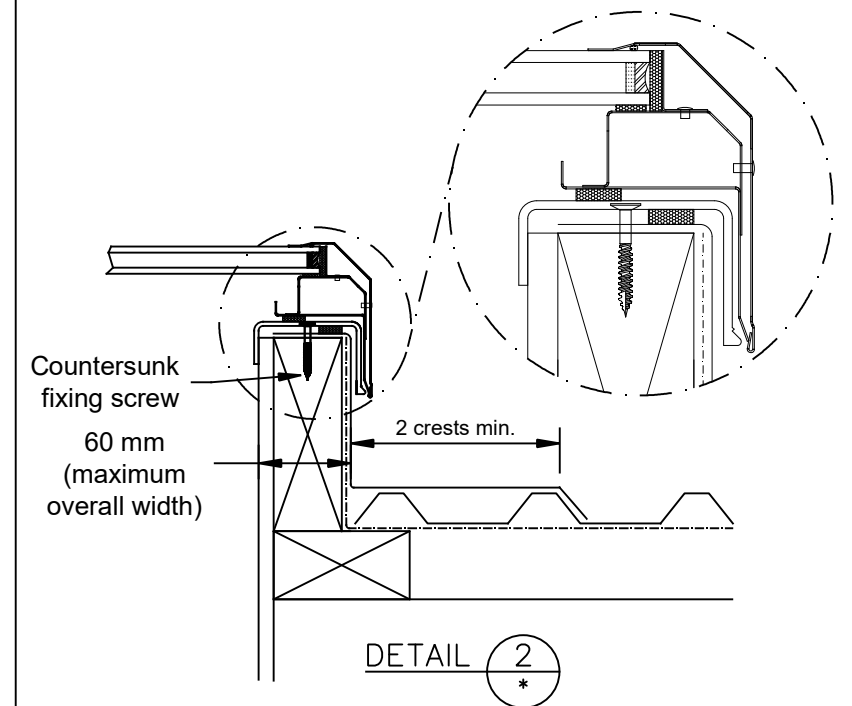
DWG No: RWBe-TR-BT-PU





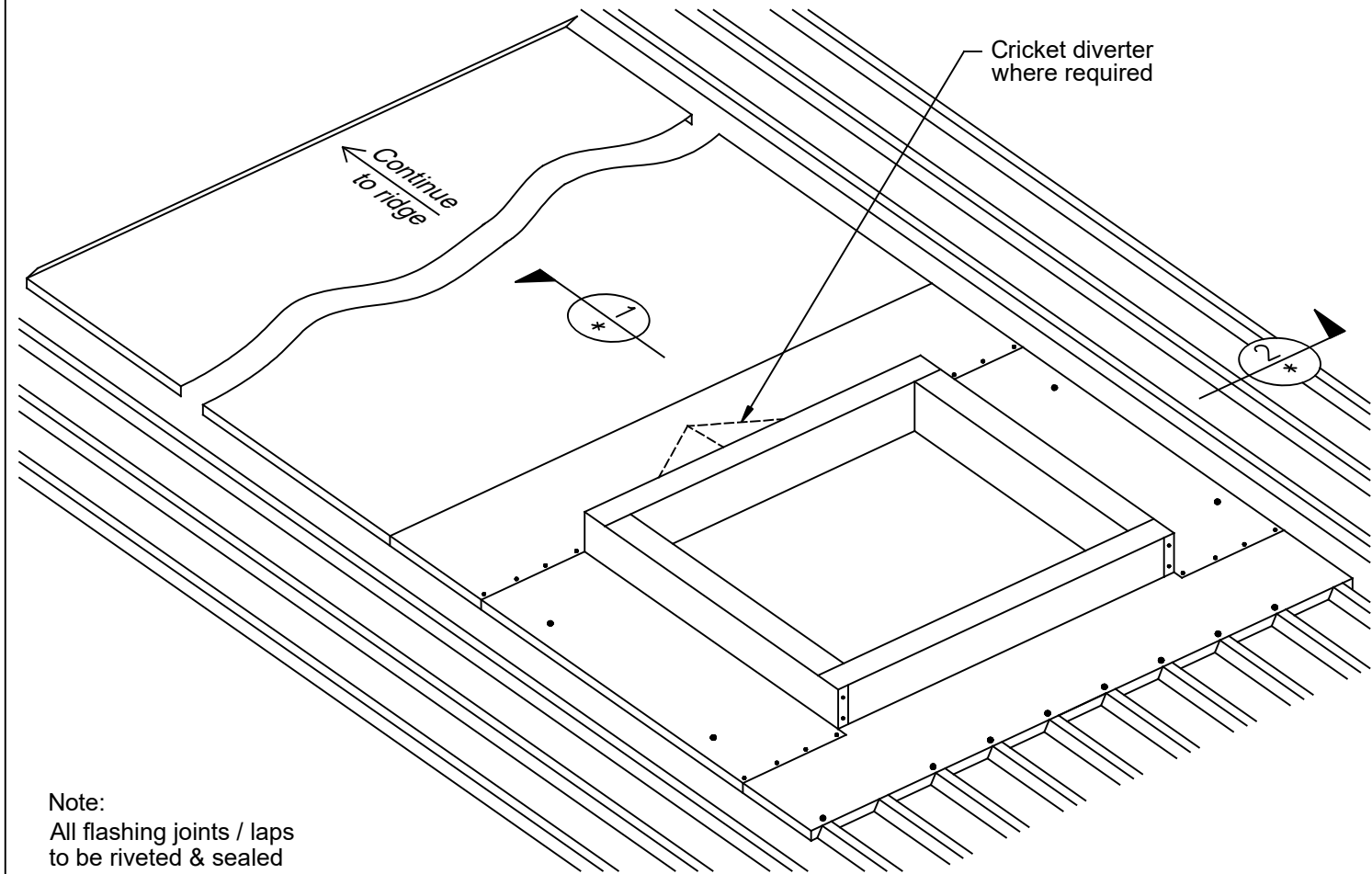
\* Dimensions to be in accordance with NZBC Clause E2

Suitable for roof pitch 5° to 60°



Roof Window Opening - Electric	DAYLIGHT DIMENSION		FIXING DIMENSION		OVERALL DIMENSION	
Model No.						
RWBse77	540	x 540	570	x 570	705	x 705
RWBse86	585	x 435	615	x 465	750	x 600
RWBse99	745	x 745	775	x 775	910	x 910
RWBse106	865	x 435	895	x 465	1030	x 600
RWBse107	905	x 540	1005	x 570	1030	x 705
RWBse108	865	x 665	895	x 695	1030	x 830
RWBse128	1065	x 665	1095	x 695	1230	x 830
RWBse137	1150	x 540	1180	x 570	1315	x 705
RWBse139	1190	x 785	1290	x 885	1315	x 910
RWBse148	1285	x 665	1315	x 695	1450	x 830
RWBse197	1785	x 540	1885	x 570	1910	x 705
RWBse1010	905	x 905	1005	x 1005	1030	x 1030
RWBse1212	1065	x 1025	1095	x 1055	1230	x 1190
RWBse1313	1150	x 1150	1180	x 1180	1315	x 1315
RWBse1412	1285	x 1025	1315	x 1055	1450	x 1190

Not to scale, do not scale from drawing. All details are generic in nature and should be read in conjunction with the roofing manufacturers' standard penetration details.

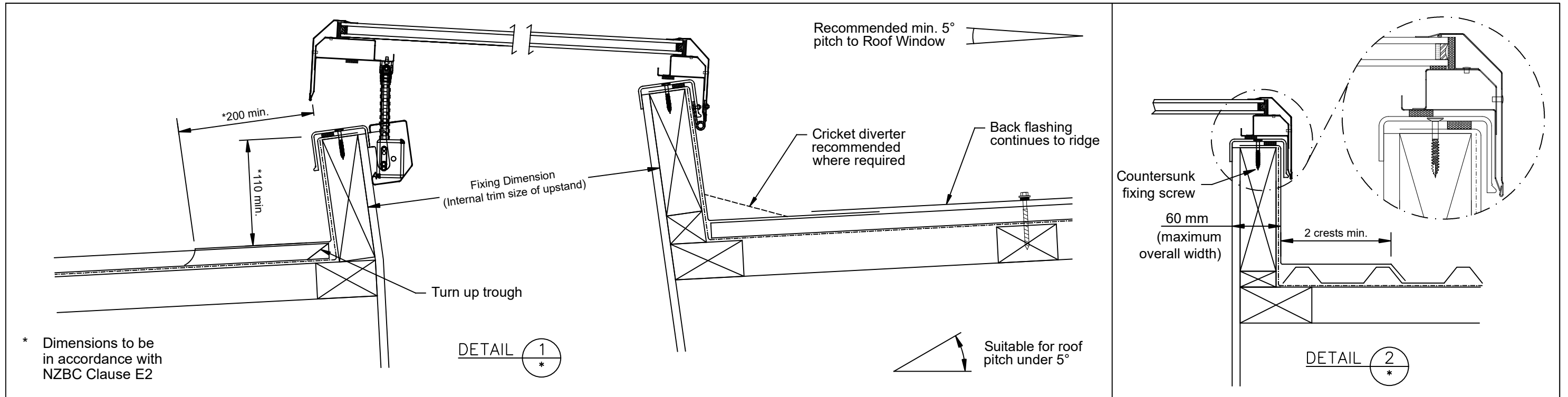


ADLUX Industries Ltd. ©  
36 Olive Road, Penrose  
P.O. Box 13866, Auckland  
New Zealand.  
Ph: (09) 636 6866  
Fax: (09) 636 6846  
Email: sales@adlux.co.nz

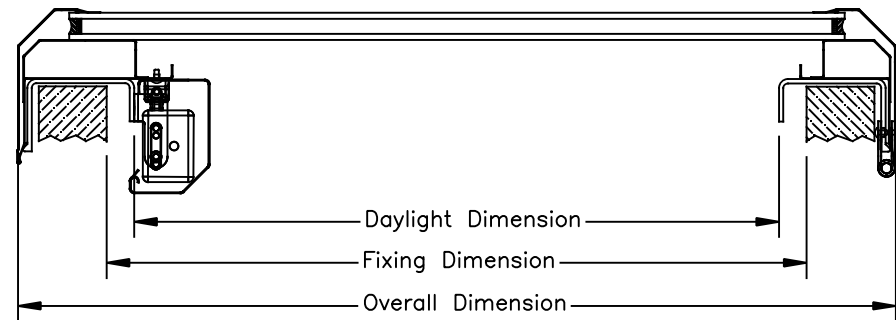
ROOF WINDOW BASE electric opening (Double Glazed)  
TRAPEZOID ROOFING PROFILE (Back Tray)  
PITCH 5° TO 60°

DATE: 21/09/20

DWG No: RWBe-TZ-BT

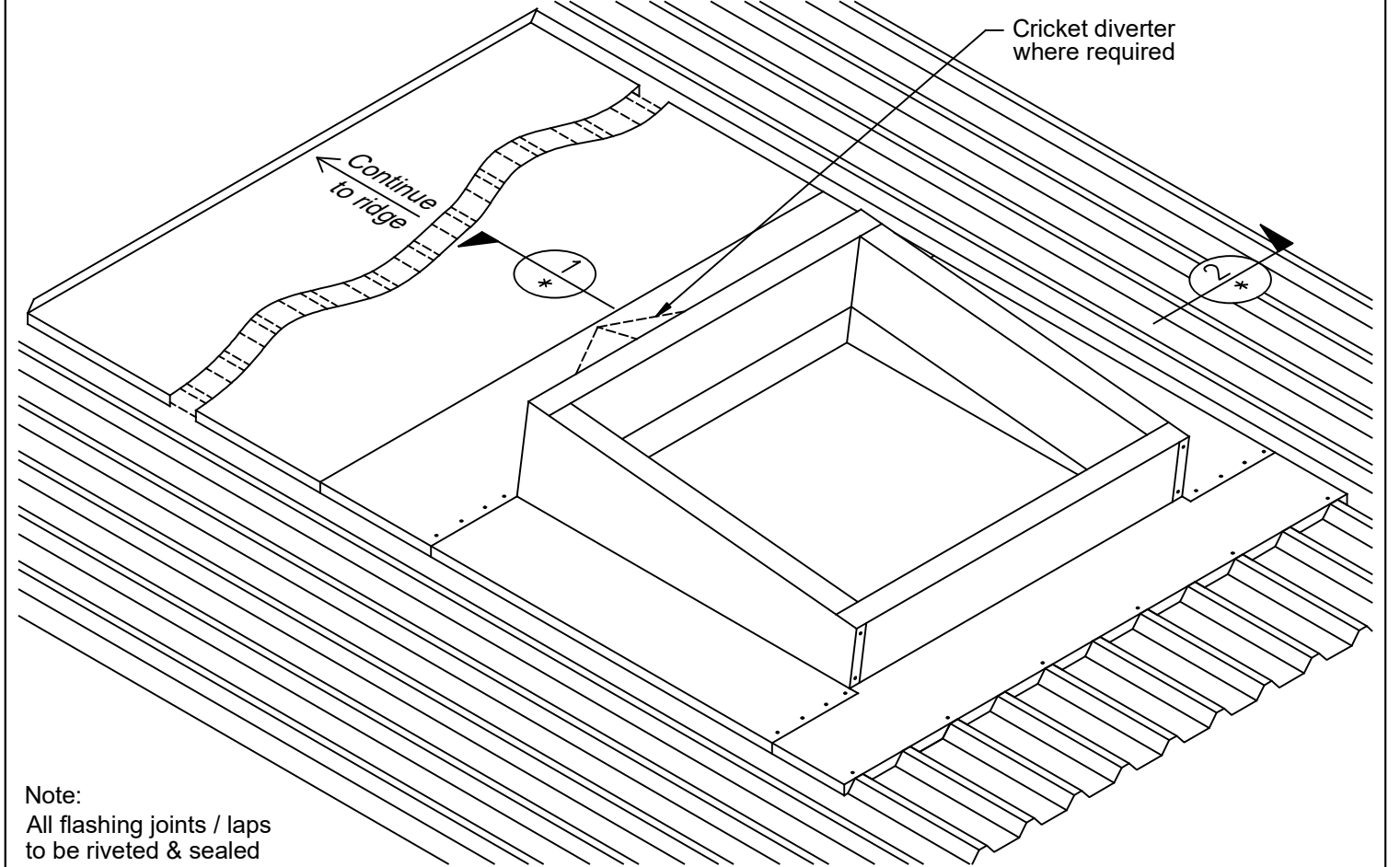


\* Dimensions to be in accordance with NZBC Clause E2



Roof Window Opening - Electric	DAYLIGHT DIMENSION		FIXING DIMENSION		OVERALL DIMENSION	
Model No.						
RWBse77	540	x 540	570	x 570	705	x 705
RWBse86	585	x 435	615	x 465	750	x 600
RWBse99	745	x 745	775	x 775	910	x 910
RWBse106	865	x 435	895	x 465	1030	x 600
RWBse107	905	x 540	1005	x 570	1030	x 705
RWBse108	865	x 665	895	x 695	1030	x 830
RWBse128	1065	x 665	1095	x 695	1230	x 830
RWBse137	1150	x 540	1180	x 570	1315	x 705
RWBse139	1190	x 785	1290	x 885	1315	x 910
RWBse148	1285	x 665	1315	x 695	1450	x 830
RWBse197	1785	x 540	1885	x 570	1910	x 705
RWBse1010	905	x 905	1005	x 1005	1030	x 1030
RWBse1212	1065	x 1025	1095	x 1055	1230	x 1190
RWBse1313	1150	x 1150	1180	x 1180	1315	x 1315
RWBse1412	1285	x 1025	1315	x 1055	1450	x 1190

Not to scale, do not scale from drawing. All details are generic in nature and should be read in conjunction with the roofing manufacturers' standard penetration details.



Note:  
All flashing joints / laps to be riveted & sealed

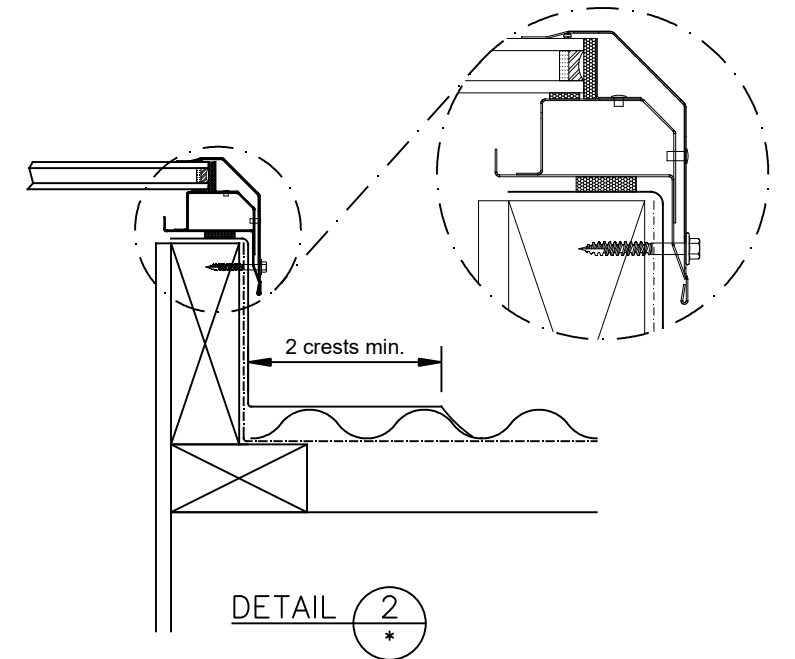
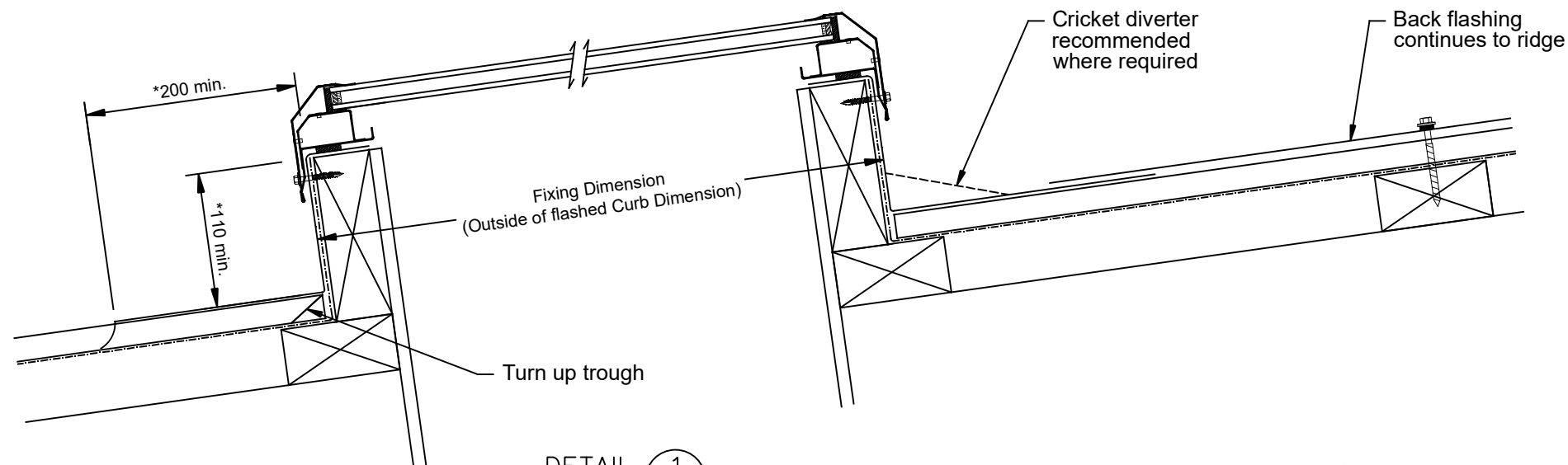


ADLUX Industries Ltd. ©  
36 Olive Road, Penrose  
P.O. Box 13866, Auckland  
New Zealand.  
Ph: (09) 636 6866  
Fax: (09) 636 6846  
Email: sales@adlux.co.nz

**ROOF WINDOW BASE electric opening (Double Glazed)**  
**TRAPEZOID ROOFING PROFILE (Back Tray with Pitched Upstand)**  
For roofs less than 5°

DATE: 21/09/20

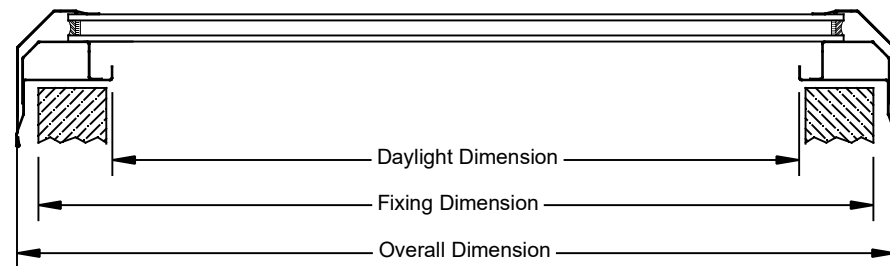
DWG No: RWBe-TZ-BT-PU



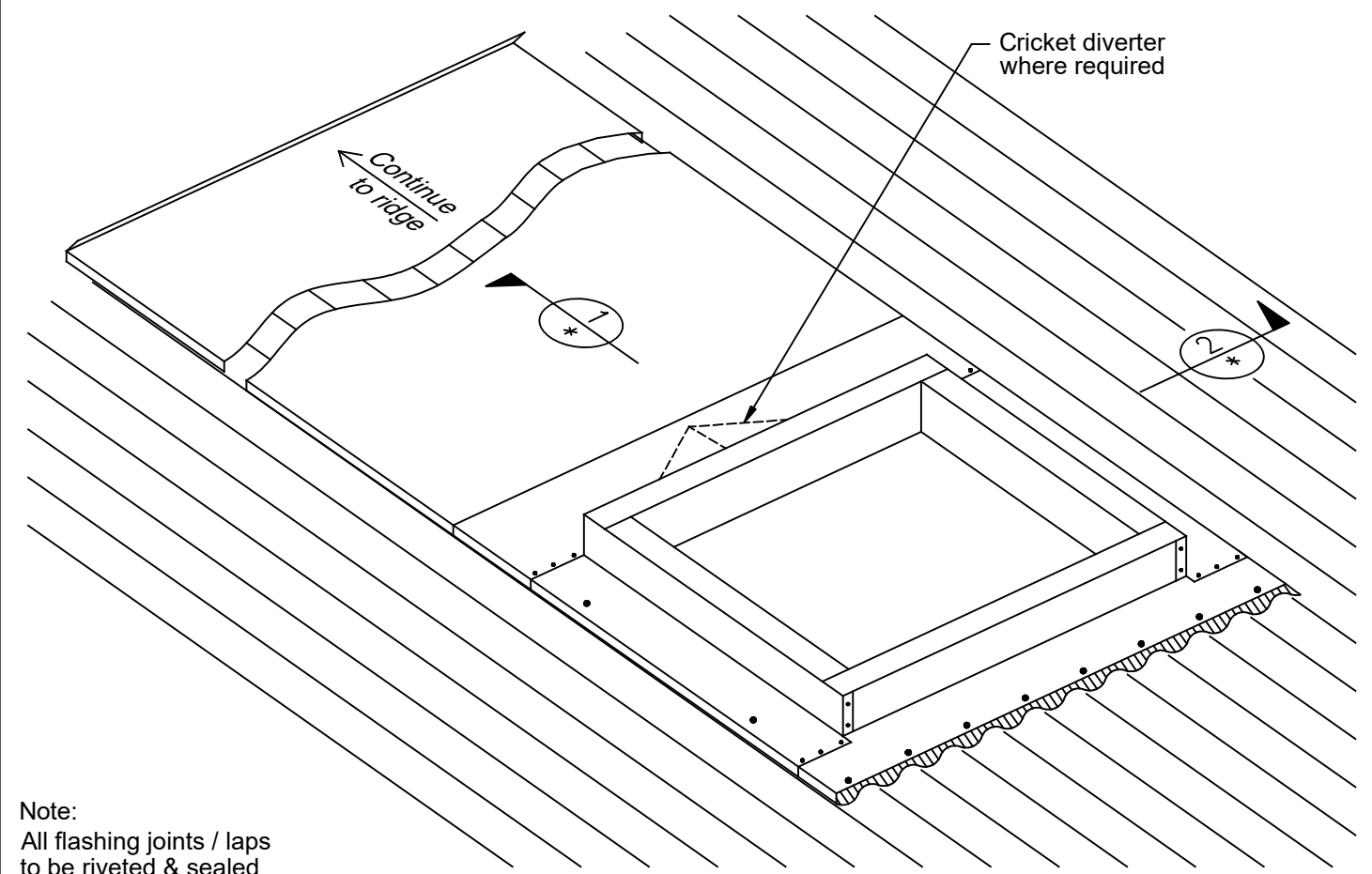
\* Dimensions to be in accordance with NZBC Clause E2

DETAIL 1

Suitable for roof pitch 5° to 60°



Roof Window (non-vent)			
Model No.	Daylight Dimension (mm)	Fixing Dimension (mm)	Overall Dimension (mm)
RW77	580 x 580	680 x 680	705 x 705
RW86	625 x 475	725 x 575	750 x 600
RW99	785 x 785	885 x 885	910 x 910
RW106	905 x 475	1005 x 575	1030 x 600
RW107	905 x 580	1005 x 608	1030 x 705
RW108	905 x 705	1005 x 805	1030 x 830
RW128	1105 x 705	1205 x 805	1230 x 830
RW137	1190 x 580	1290 x 680	1315 x 705
RW139	1190 x 785	1290 x 885	1315 x 910
RW148	1325 x 705	1425 x 805	1450 x 830
RW197	1785 x 580	1885 x 680	1910 x 705
RW1010	905 x 905	1005 x 1005	1030 x 1030
RW1212	1105 x 1065	1205 x 1165	1230 x 1190
RW1313	1190 x 1190	1290 x 1290	1315 x 1315
RW1412	1325 x 1065	1425 x 1165	1450 x 1190



Note:  
All flashing joints / laps to be riveted & sealed

Not to scale, do not scale from drawing. All details are generic in nature and should be read in conjunction with the roofing manufacturers' standard penetration details.



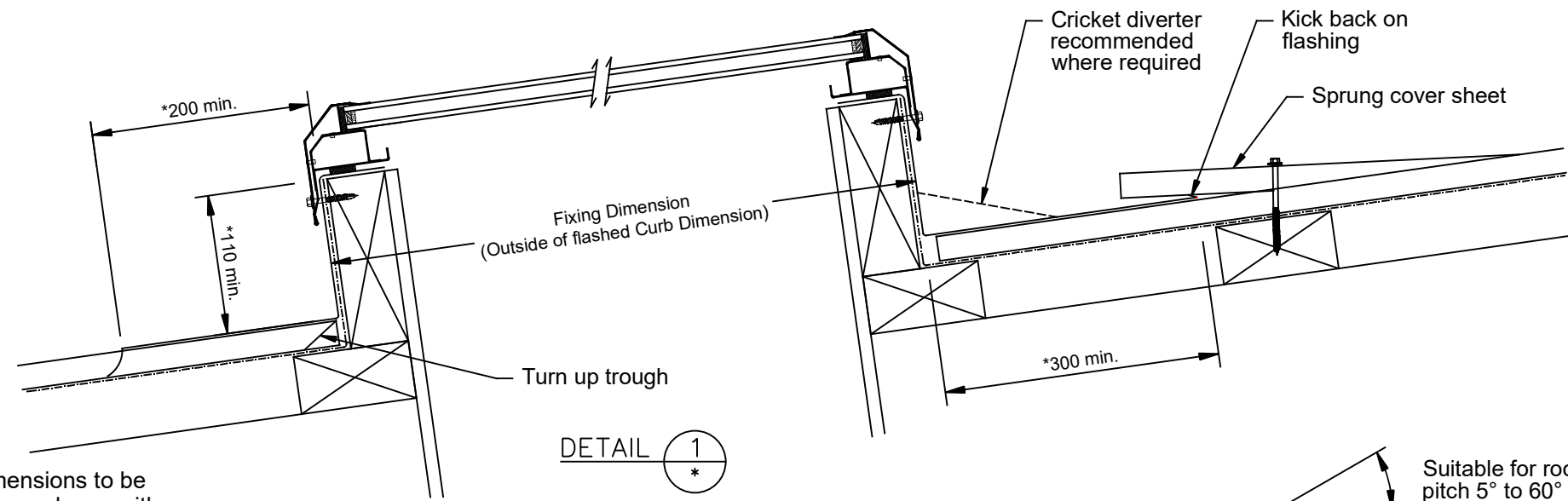
ADLUX Industries Ltd. ©  
36 Olive Road, Penrose  
P.O. Box 13866, Auckland  
New Zealand.  
Ph: (09) 636 6866  
Fax: (09) 636 6846  
Email: sales@adlux.co.nz

**ROOF WINDOW non-vent (Double Glazed)  
CORRUGATED ROOFING PROFILE (Back Tray)  
PITCH 5° TO 60°**

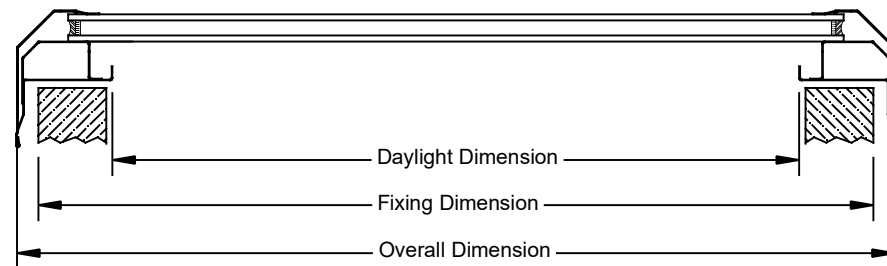
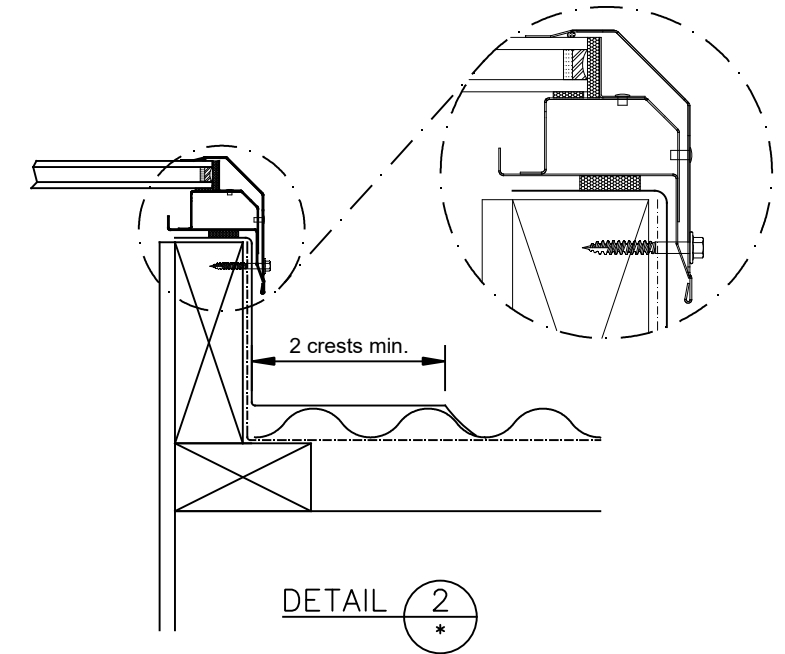
DATE: 22/09/20

DWG No: RW-CR-BT

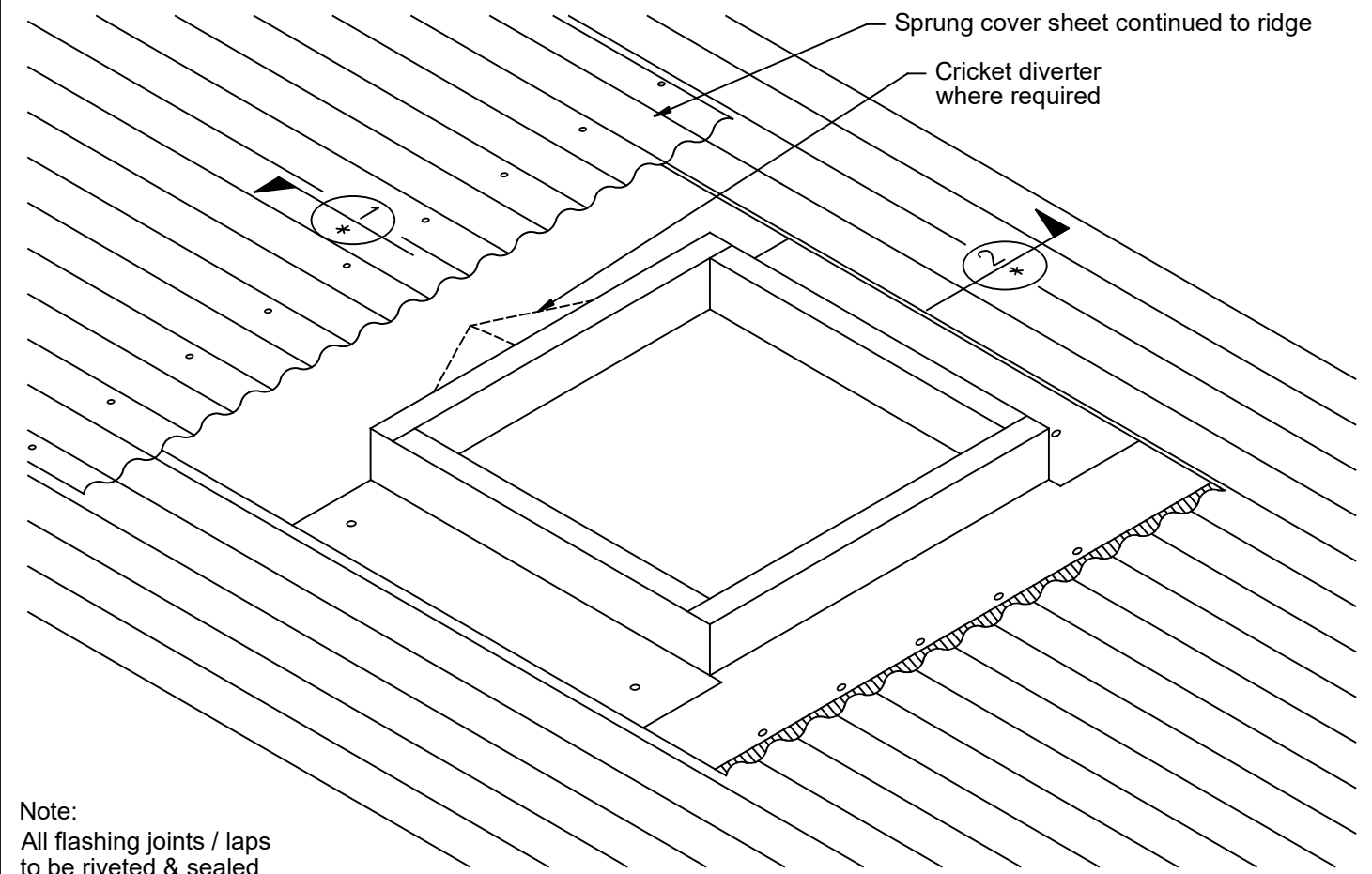




\* Dimensions to be in accordance with NZBC Clause E2



Roof Window (non-vent)			
Model No.	Daylight Dimension (mm)	Fixing Dimension (mm)	Overall Dimension (mm)
RW77	580 x 580	680 x 680	705 x 705
RW86	625 x 475	725 x 575	750 x 600
RW99	785 x 785	885 x 885	910 x 910
RW106	905 x 475	1005 x 575	1030 x 600
RW107	905 x 580	1005 x 608	1030 x 705
RW108	905 x 705	1005 x 805	1030 x 830
RW128	1105 x 705	1205 x 805	1230 x 830
RW137	1190 x 580	1290 x 680	1315 x 705
RW139	1190 x 785	1290 x 885	1315 x 910
RW148	1325 x 705	1425 x 805	1450 x 830
RW197	1785 x 580	1885 x 680	1910 x 705
RW1010	905 x 905	1005 x 1005	1030 x 1030
RW1212	1105 x 1065	1205 x 1165	1230 x 1190
RW1313	1190 x 1190	1290 x 1290	1315 x 1315
RW1412	1325 x 1065	1425 x 1165	1450 x 1190



Note:  
All flashing joints / laps to be riveted & sealed

Not to scale, do not scale from drawing. All details are generic in nature and should be read in conjunction with the roofing manufacturers' standard penetration details.



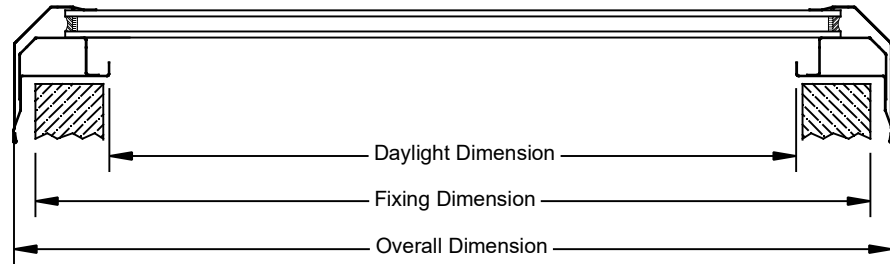
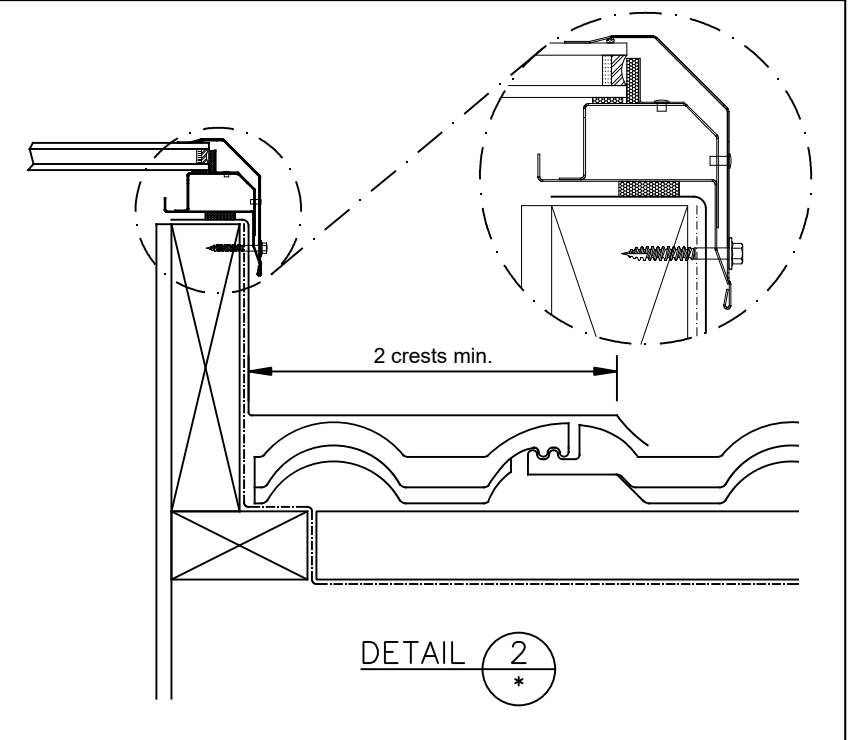
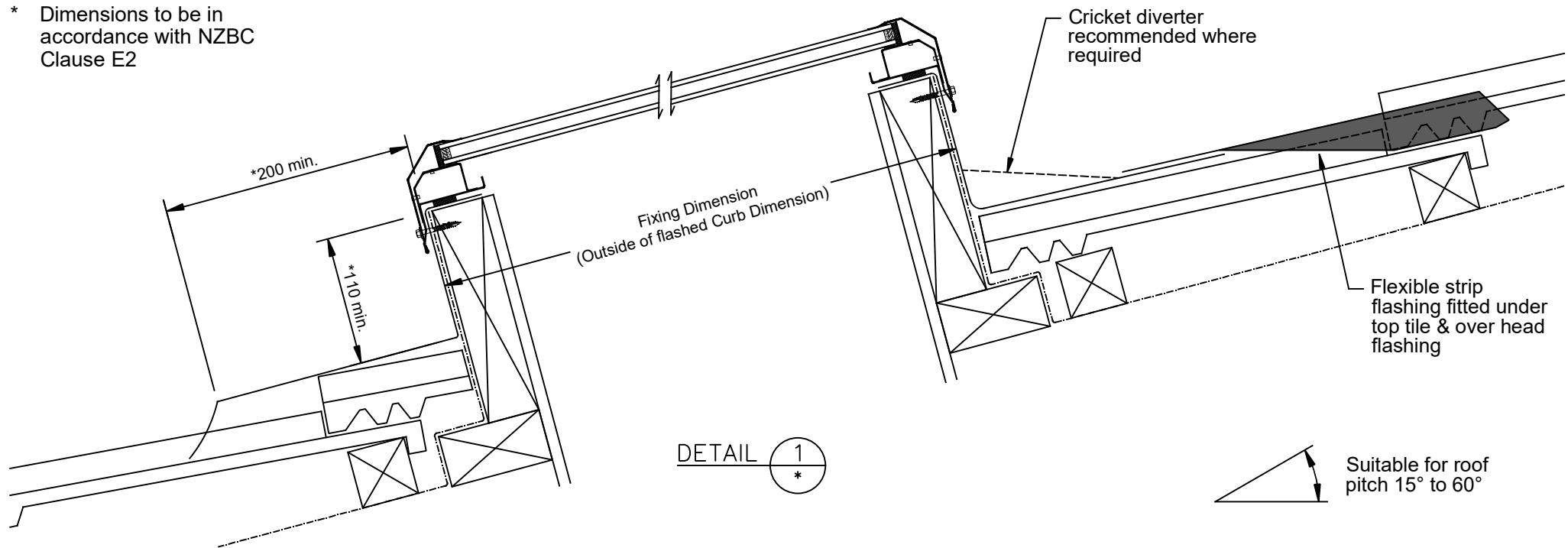
ADLUX Industries Ltd. ©  
36 Olive Road, Penrose  
P.O. Box 13866, Auckland  
New Zealand.  
Ph: (09) 636 6866  
Fax: (09) 636 6846  
Email: sales@adlux.co.nz

**ROOF WINDOW non-vent (Double Glazed)  
CORRUGATED ROOFING PROFILE (Sprung Sheet)  
PITCH 5° TO 60°**

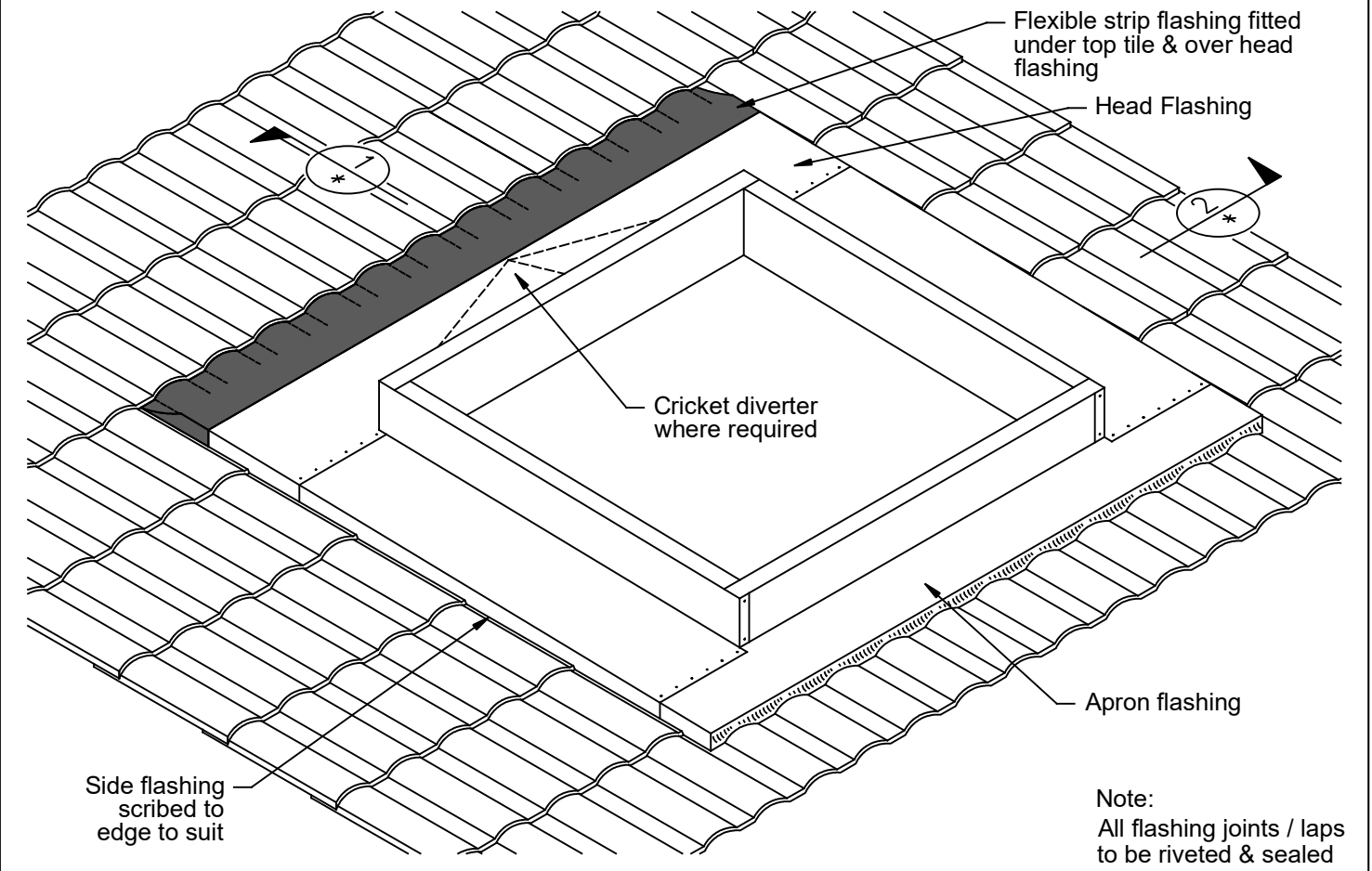
DATE: 22/09/20

DWG No: RW-CR-SS

\* Dimensions to be in accordance with NZBC Clause E2



Roof Window (non-vent)			
Model No.	Daylight Dimension (mm)	Fixing Dimension (mm)	Overall Dimension (mm)
RW77	580 x 580	680 x 680	705 x 705
RW86	625 x 475	725 x 575	750 x 600
RW99	785 x 785	885 x 885	910 x 910
RW106	905 x 475	1005 x 575	1030 x 600
RW107	905 x 580	1005 x 608	1030 x 705
RW108	905 x 705	1005 x 805	1030 x 830
RW128	1105 x 705	1205 x 805	1230 x 830
RW137	1190 x 580	1290 x 680	1315 x 705
RW139	1190 x 785	1290 x 885	1315 x 910
RW148	1325 x 705	1425 x 805	1450 x 830
RW197	1785 x 580	1885 x 680	1910 x 705
RW1010	905 x 905	1005 x 1005	1030 x 1030
RW1212	1105 x 1065	1205 x 1165	1230 x 1190
RW1313	1190 x 1190	1290 x 1290	1315 x 1315
RW1412	1325 x 1065	1425 x 1165	1450 x 1190



Not to scale, do not scale from drawing. All details are generic in nature and should be read in conjunction with the roofing manufacturers' standard penetration details.



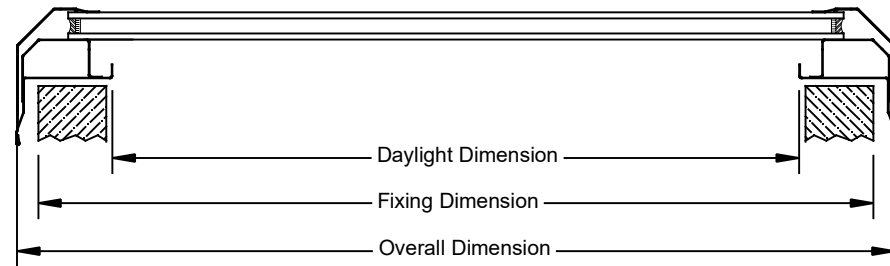
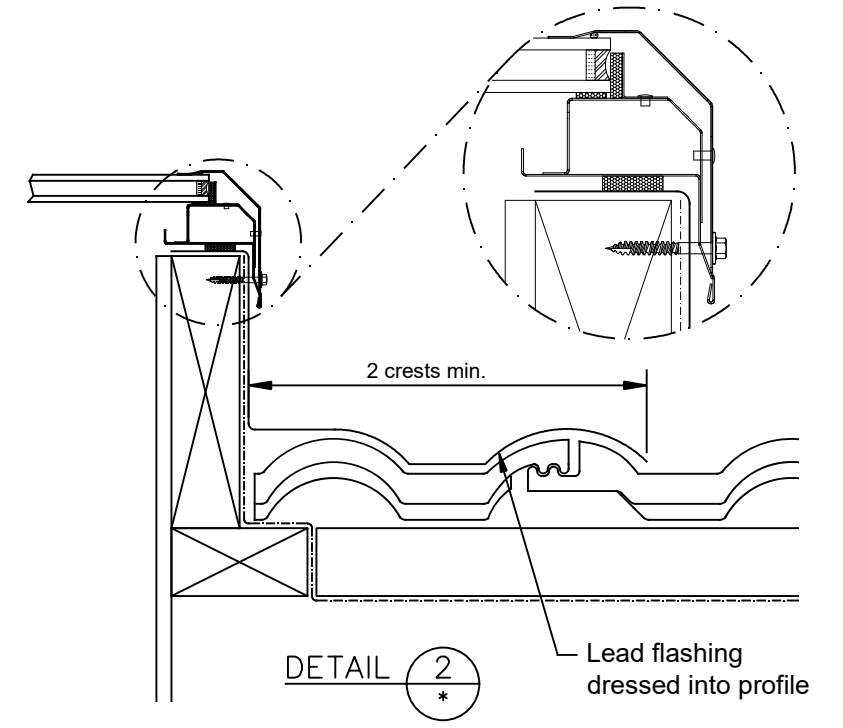
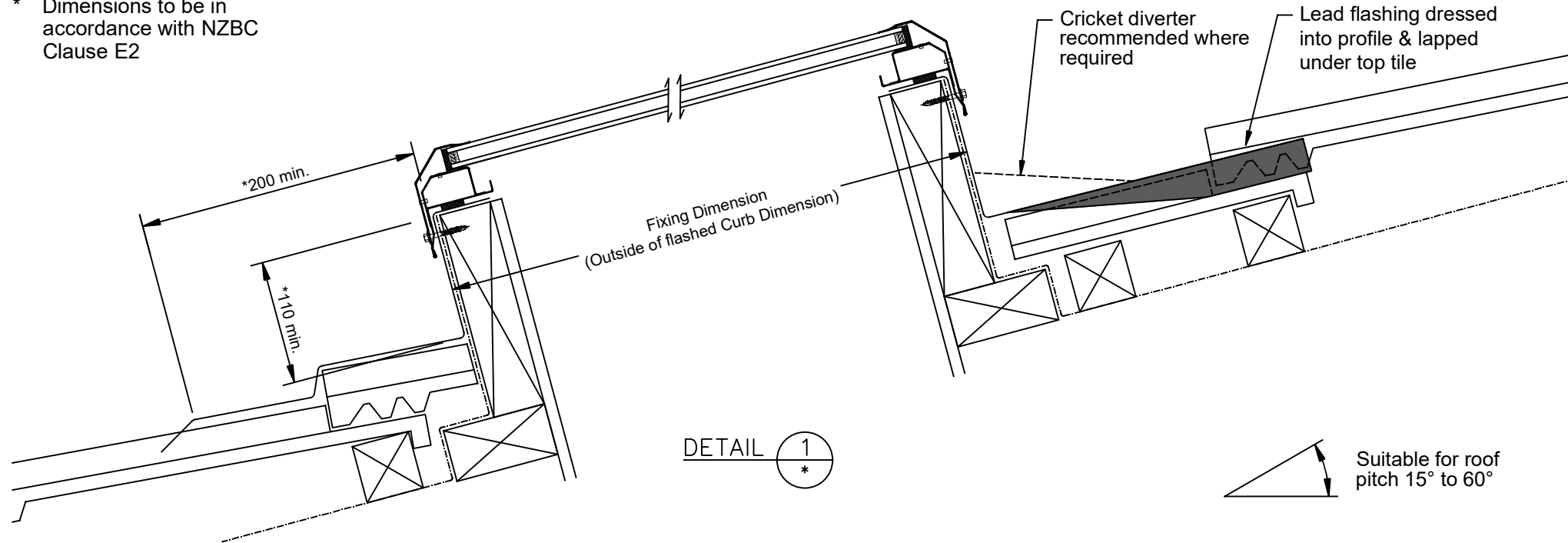
ADLUX Industries Ltd. ©  
 36 Olive Road, Penrose  
 P.O. Box 13866, Auckland  
 New Zealand.  
 Ph: (09) 636 6866  
 Fax: (09) 636 6846  
 Email: sales@adlux.co.nz

**ROOF WINDOW non-vent (Double Glazed)  
 CONCRETE ROOFING TILE (Coloursteel Flashing)  
 PITCH 15° TO 60°**

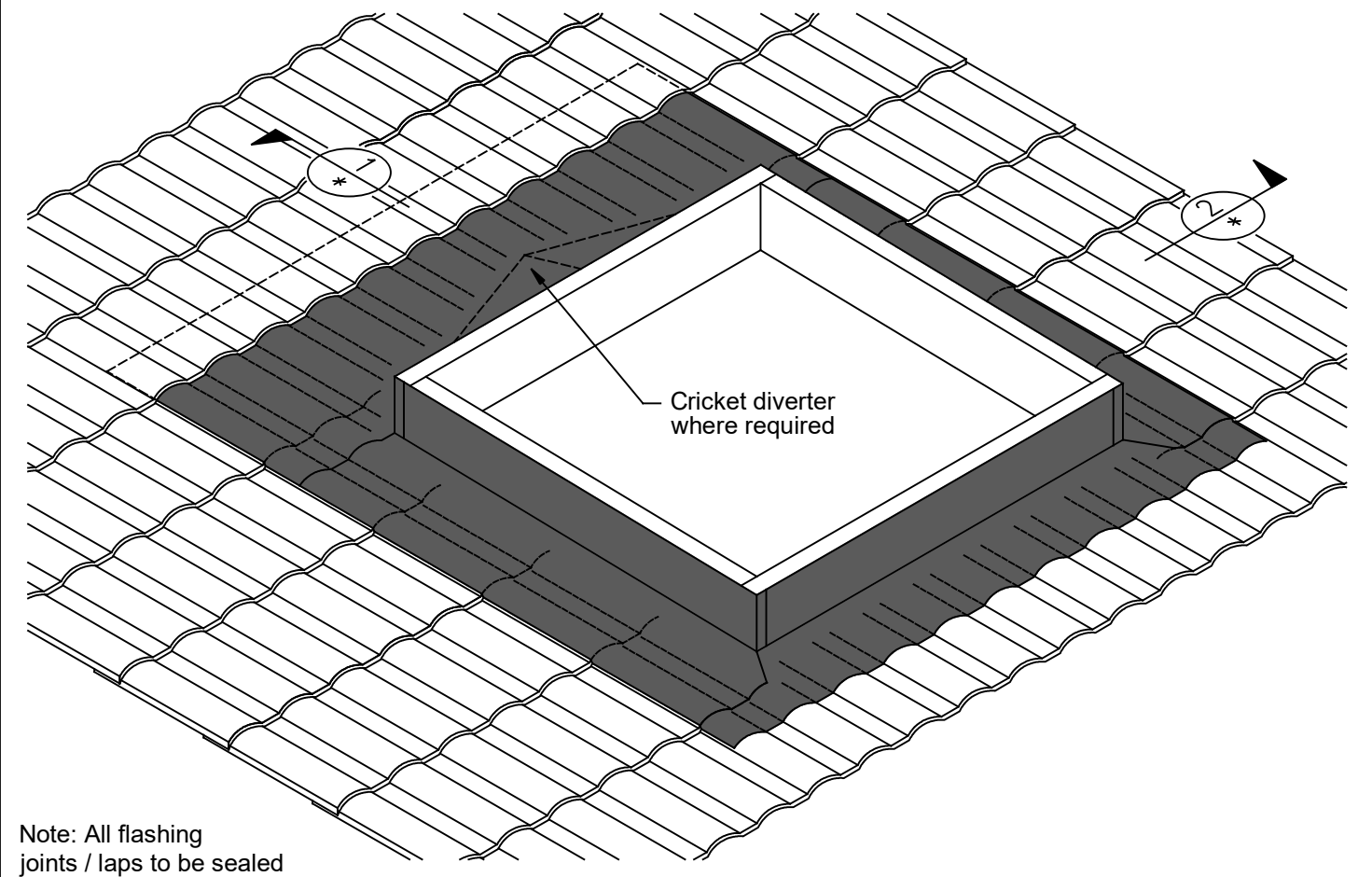
DATE: 22/09/20

DWG No: RW-CT-CS

\* Dimensions to be in accordance with NZBC Clause E2



Roof Window (non-vent)			
Model No.	Daylight Dimension (mm)	Fixing Dimension (mm)	Overall Dimension (mm)
RW77	580 x 580	680 x 680	705 x 705
RW86	625 x 475	725 x 575	750 x 600
RW99	785 x 785	885 x 885	910 x 910
RW106	905 x 475	1005 x 575	1030 x 600
RW107	905 x 580	1005 x 608	1030 x 705
RW108	905 x 705	1005 x 805	1030 x 830
RW128	1105 x 705	1205 x 805	1230 x 830
RW137	1190 x 580	1290 x 680	1315 x 705
RW139	1190 x 785	1290 x 885	1315 x 910
RW148	1325 x 705	1425 x 805	1450 x 830
RW197	1785 x 580	1885 x 680	1910 x 705
RW1010	905 x 905	1005 x 1005	1030 x 1030
RW1212	1105 x 1065	1205 x 1165	1230 x 1190
RW1313	1190 x 1190	1290 x 1290	1315 x 1315
RW1412	1325 x 1065	1425 x 1165	1450 x 1190



Not to scale, do not scale from drawing. All details are generic in nature and should be read in conjunction with the roofing manufacturers' standard penetration details.



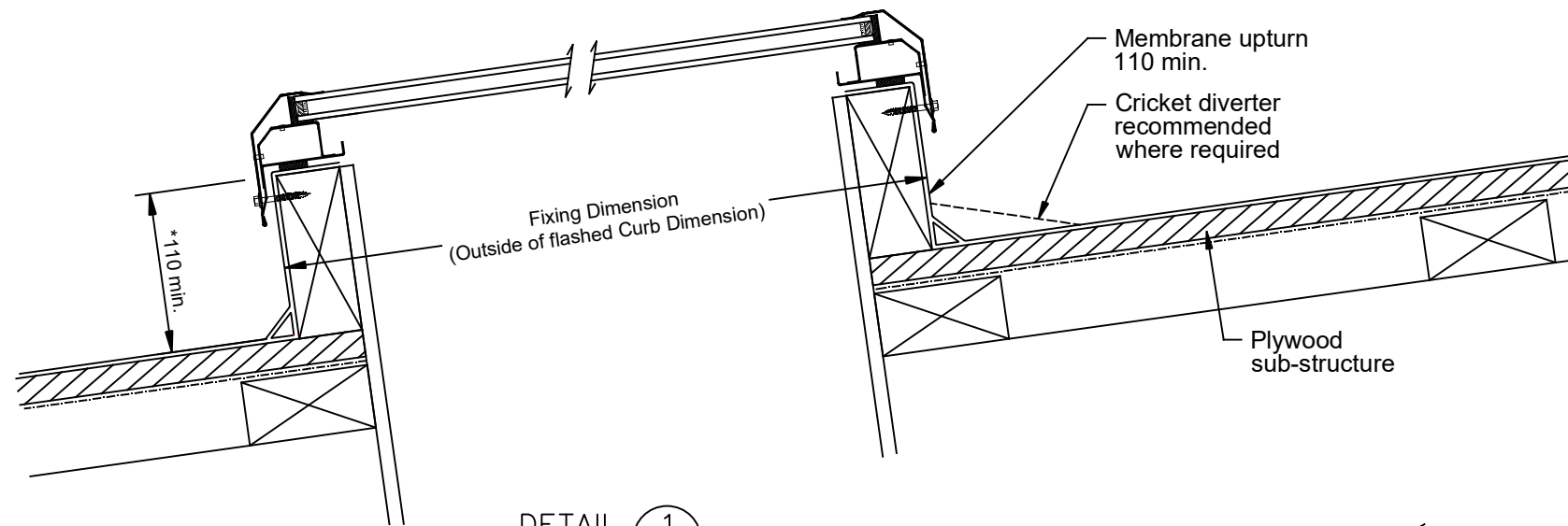
ADLUX Industries Ltd. ©  
 36 Olive Road, Penrose  
 P.O. Box 13866, Auckland  
 New Zealand.  
 Ph: (09) 636 6866  
 Fax: (09) 636 6846  
 Email: sales@adlux.co.nz

**ROOF WINDOW non-vent (Double Glazed)  
 CONCRETE ROOFING TILE (Lead Flashing)  
 PITCH 15° TO 60°**

DATE: 22/09/20

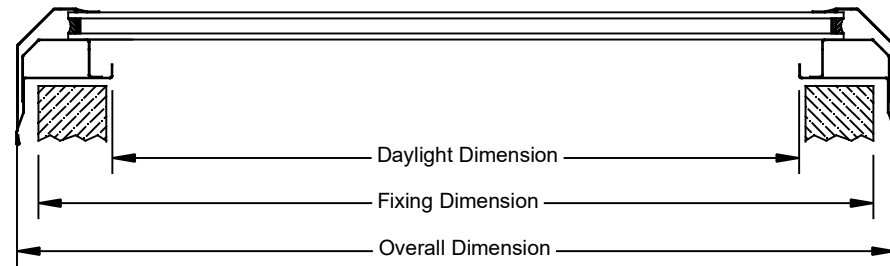
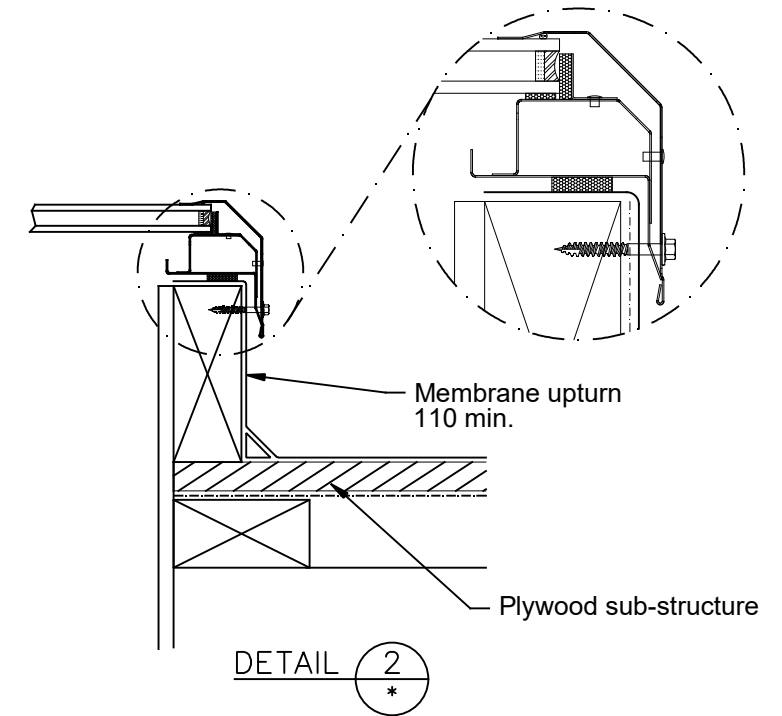
DWG No: RW-CT-LD



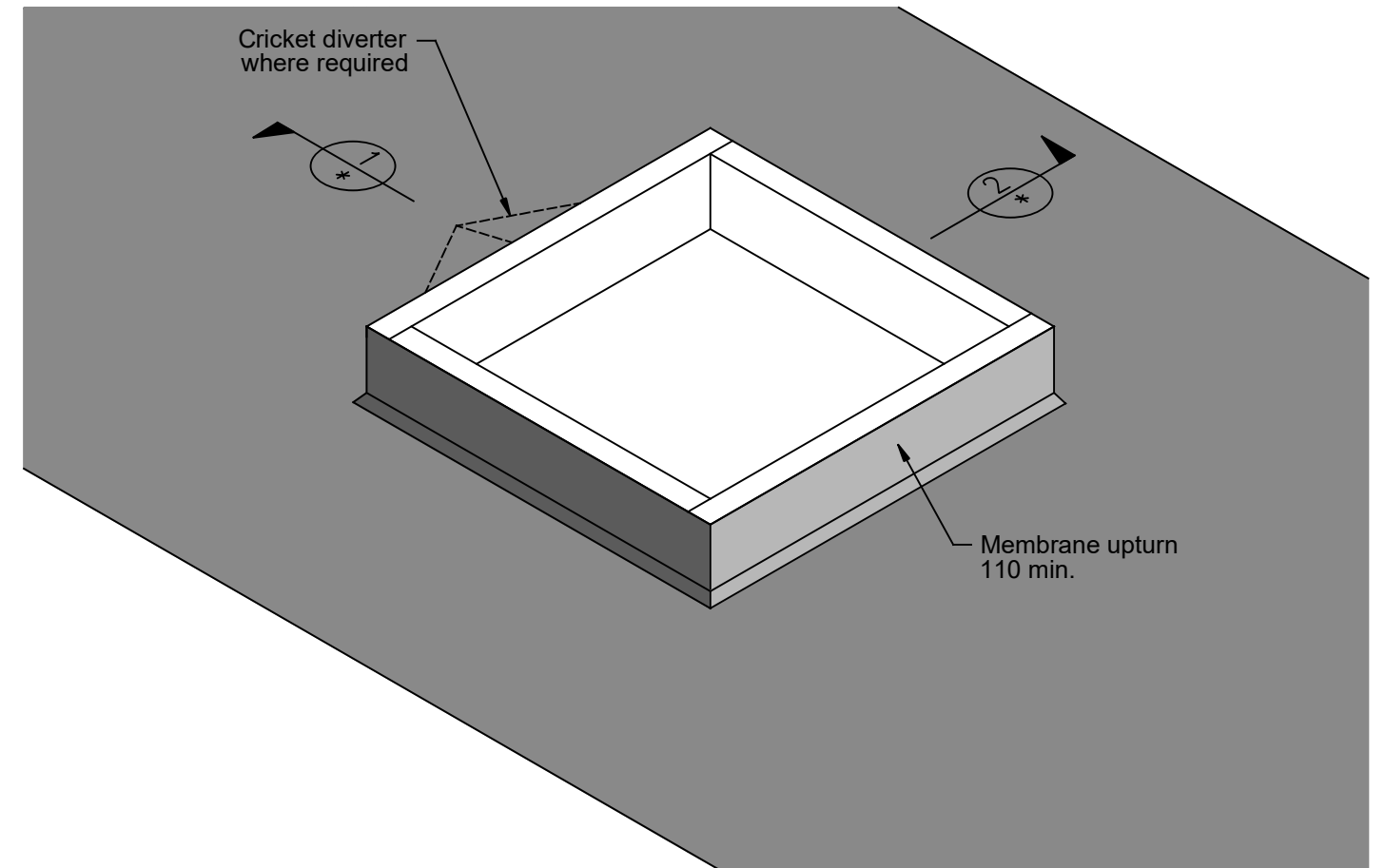


\* Dimensions to be in accordance with NZBC Clause E2

Suitable for roof pitch 5° to 60°



Roof Window (non-vent)			
Model No.	Daylight Dimension (mm)	Fixing Dimension (mm)	Overall Dimension (mm)
RW77	580 x 580	680 x 680	705 x 705
RW86	625 x 475	725 x 575	750 x 600
RW99	785 x 785	885 x 885	910 x 910
RW106	905 x 475	1005 x 575	1030 x 600
RW107	905 x 580	1005 x 608	1030 x 705
RW108	905 x 705	1005 x 805	1030 x 830
RW128	1105 x 705	1205 x 805	1230 x 830
RW137	1190 x 580	1290 x 680	1315 x 705
RW139	1190 x 785	1290 x 885	1315 x 910
RW148	1325 x 705	1425 x 805	1450 x 830
RW197	1785 x 580	1885 x 680	1910 x 705
RW1010	905 x 905	1005 x 1005	1030 x 1030
RW1212	1105 x 1065	1205 x 1165	1230 x 1190
RW1313	1190 x 1190	1290 x 1290	1315 x 1315
RW1412	1325 x 1065	1425 x 1165	1450 x 1190



Not to scale, do not scale from drawing. All details are generic in nature and should be read in conjunction with the roofing manufacturers' standard penetration details.

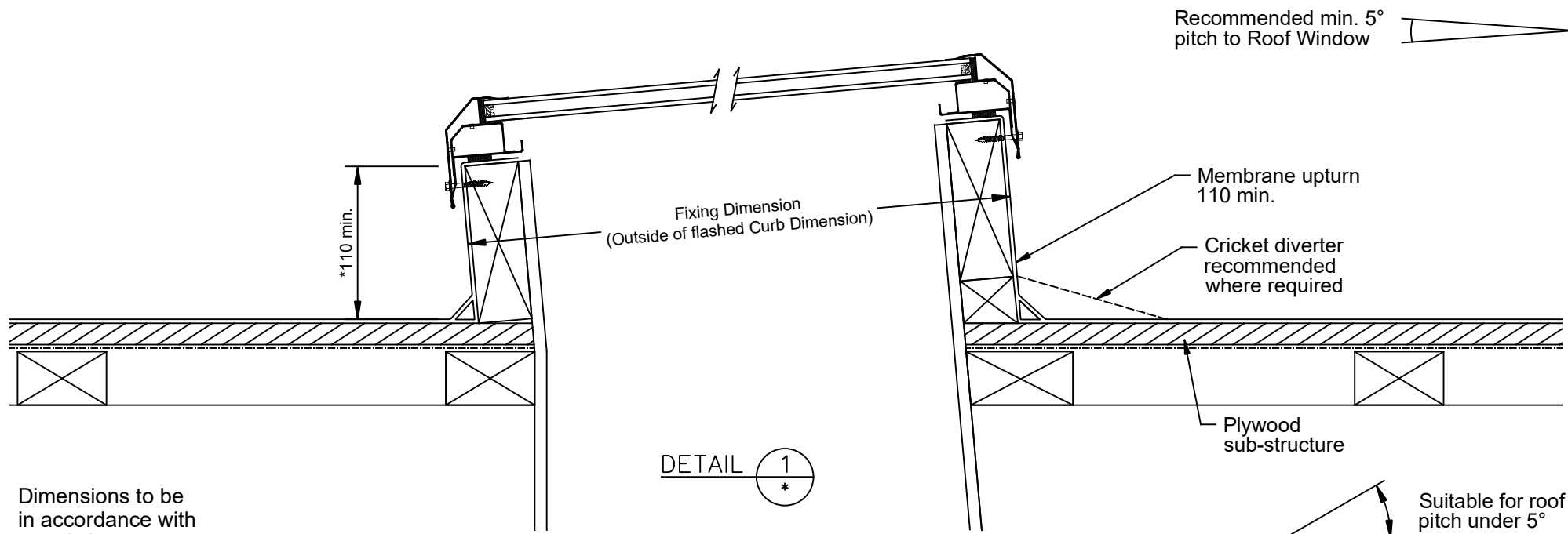


ADLUX Industries Ltd. ©  
 36 Olive Road, Penrose  
 P.O. Box 13866, Auckland  
 New Zealand.  
 Ph: (09) 636 6866  
 Fax: (09) 636 6846  
 Email: sales@adlux.co.nz

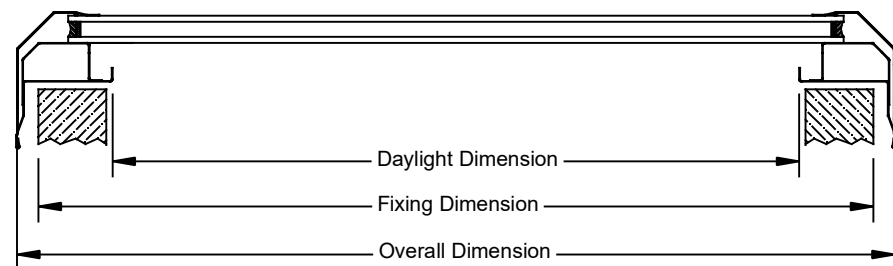
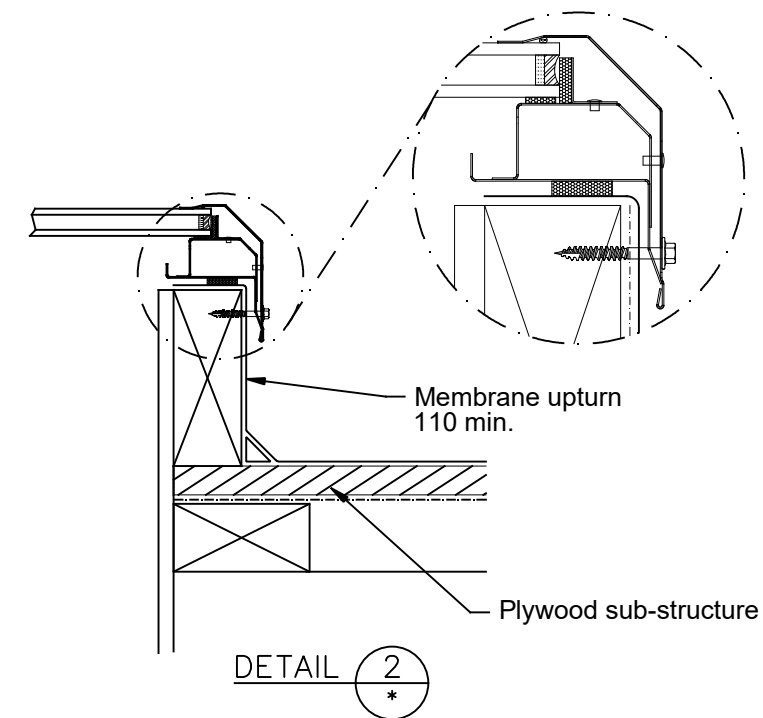
**ROOF WINDOW non-vent (Double Glazed)**  
**MEMBRANE ROOFING**  
**PITCH 5° TO 60°**

DATE: 23/09/20

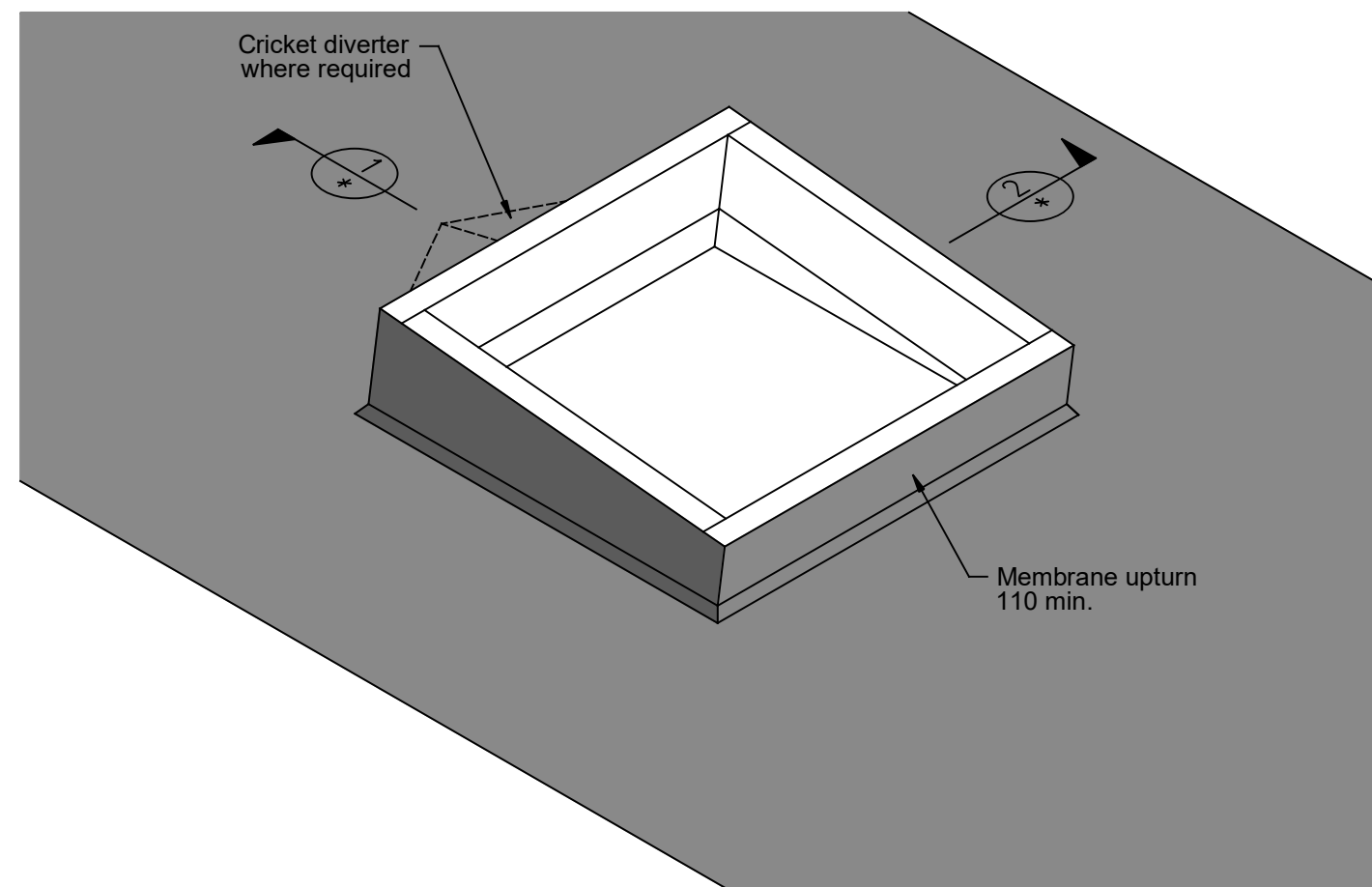
DWG No: RW-MEM



\* Dimensions to be in accordance with NZBC Clause E2



Roof Window (non-vent)			
Model No.	Daylight Dimension (mm)	Fixing Dimension (mm)	Overall Dimension (mm)
RW77	580 x 580	680 x 680	705 x 705
RW86	625 x 475	725 x 575	750 x 600
RW99	785 x 785	885 x 885	910 x 910
RW106	905 x 475	1005 x 575	1030 x 600
RW107	905 x 580	1005 x 608	1030 x 705
RW108	905 x 705	1005 x 805	1030 x 830
RW128	1105 x 705	1205 x 805	1230 x 830
RW137	1190 x 580	1290 x 680	1315 x 705
RW139	1190 x 785	1290 x 885	1315 x 910
RW148	1325 x 705	1425 x 805	1450 x 830
RW197	1785 x 580	1885 x 680	1910 x 705
RW1010	905 x 905	1005 x 1005	1030 x 1030
RW1212	1105 x 1065	1205 x 1165	1230 x 1190
RW1313	1190 x 1190	1290 x 1290	1315 x 1315
RW1412	1325 x 1065	1425 x 1165	1450 x 1190



Not to scale, do not scale from drawing. All details are generic in nature and should be read in conjunction with the roofing manufacturers' standard penetration details.



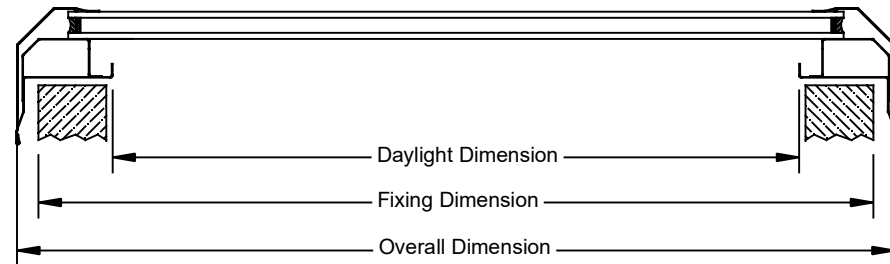
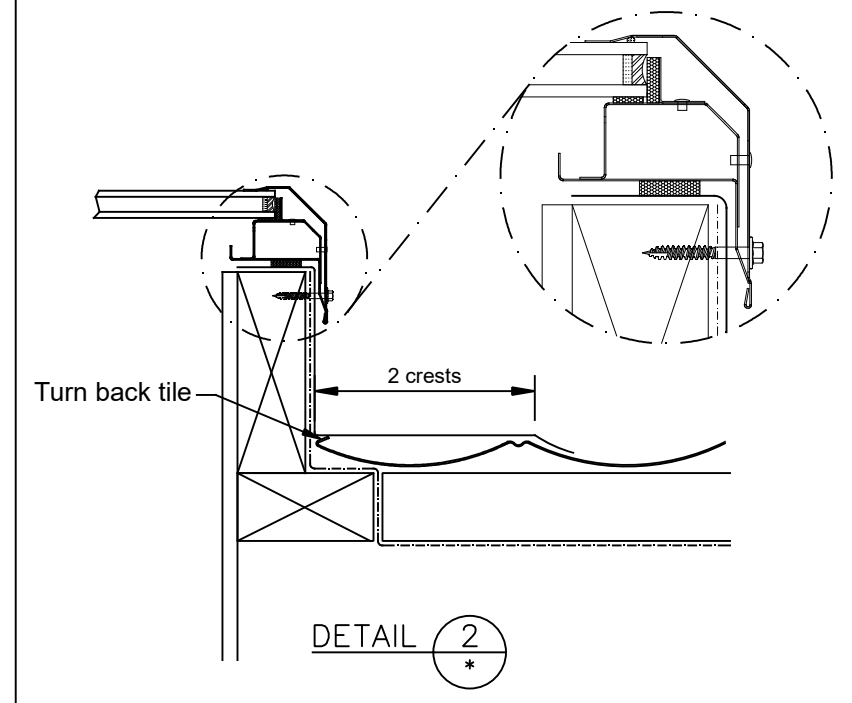
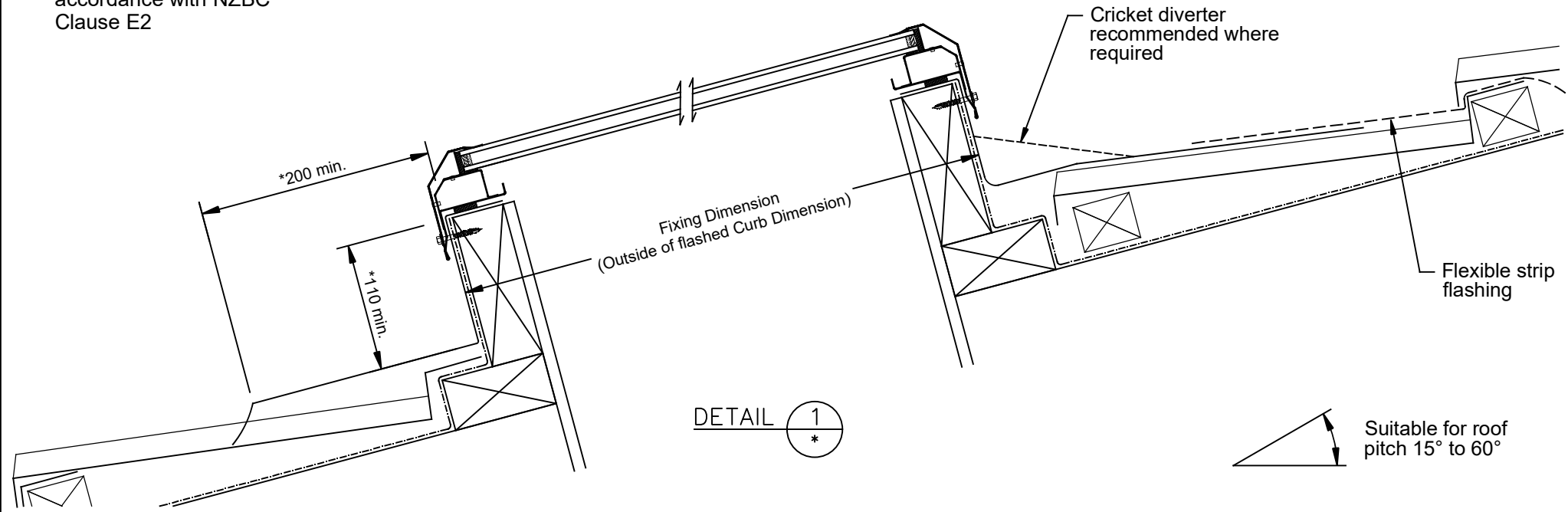
ADLUX Industries Ltd. ©  
 36 Olive Road, Penrose  
 P.O. Box 13866, Auckland  
 New Zealand.  
 Ph: (09) 636 6866  
 Fax: (09) 636 6846  
 Email: sales@adlux.co.nz

**ROOF WINDOW non-vent (Double Glazed)**  
**MEMBRANE ROOFING (Pitched Upstand)**  
 For roofs less than 5°

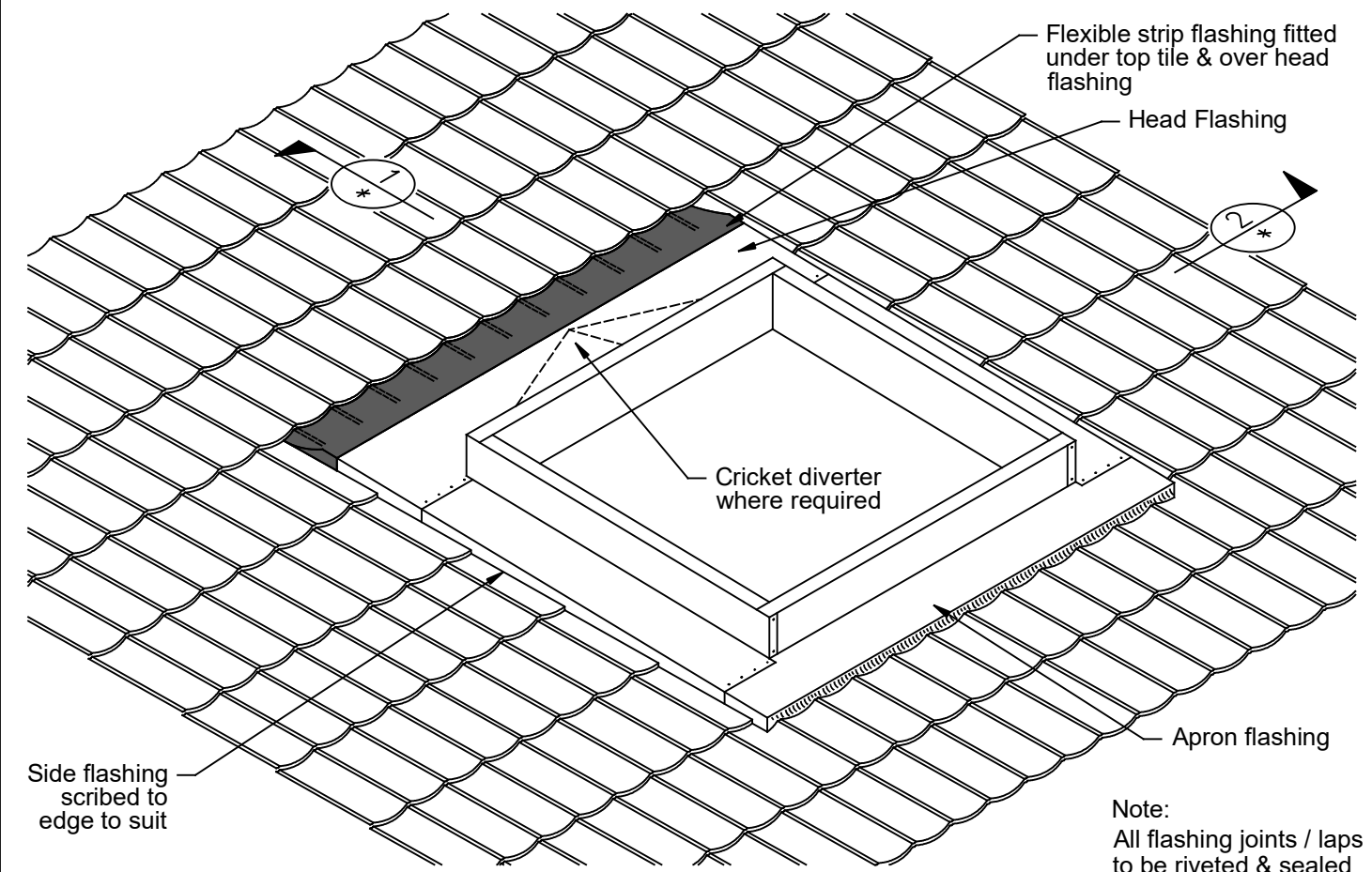
DATE: 23/09/20

DWG No: RW-MEM-PU

\* Dimensions to be in accordance with NZBC Clause E2



Roof Window (non-vent)			
Model No.	Daylight Dimension (mm)	Fixing Dimension (mm)	Overall Dimension (mm)
RW77	580 x 580	680 x 680	705 x 705
RW86	625 x 475	725 x 575	750 x 600
RW99	785 x 785	885 x 885	910 x 910
RW106	905 x 475	1005 x 575	1030 x 600
RW107	905 x 580	1005 x 608	1030 x 705
RW108	905 x 705	1005 x 805	1030 x 830
RW128	1105 x 705	1205 x 805	1230 x 830
RW137	1190 x 580	1290 x 680	1315 x 705
RW139	1190 x 785	1290 x 885	1315 x 910
RW148	1325 x 705	1425 x 805	1450 x 830
RW197	1785 x 580	1885 x 680	1910 x 705
RW1010	905 x 905	1005 x 1005	1030 x 1030
RW1212	1105 x 1065	1205 x 1165	1230 x 1190
RW1313	1190 x 1190	1290 x 1290	1315 x 1315
RW1412	1325 x 1065	1425 x 1165	1450 x 1190



Not to scale, do not scale from drawing. All details are generic in nature and should be read in conjunction with the roofing manufacturers' standard penetration details.



ADLUX Industries Ltd. ©  
 36 Olive Road, Penrose  
 P.O. Box 13866, Auckland  
 New Zealand.  
 Ph: (09) 636 6866  
 Fax: (09) 636 6846  
 Email: sales@adlux.co.nz

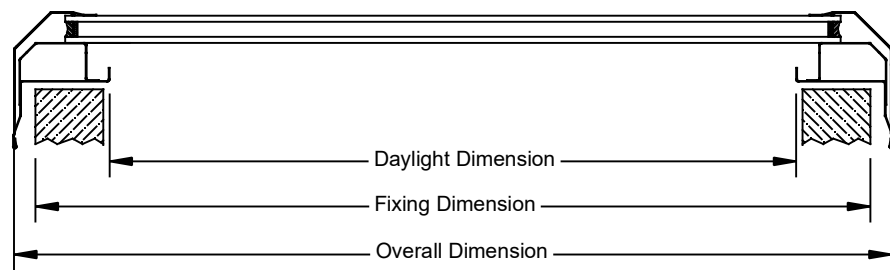
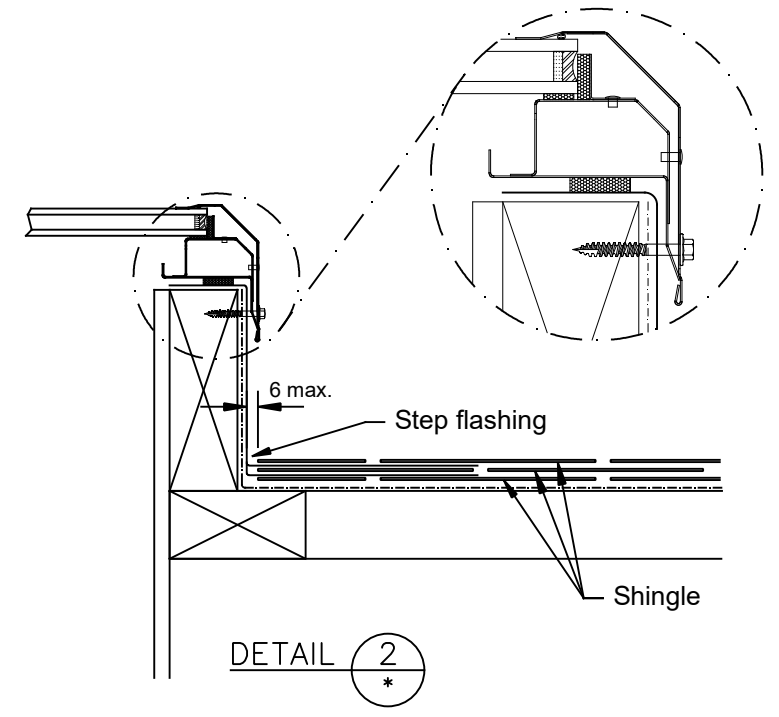
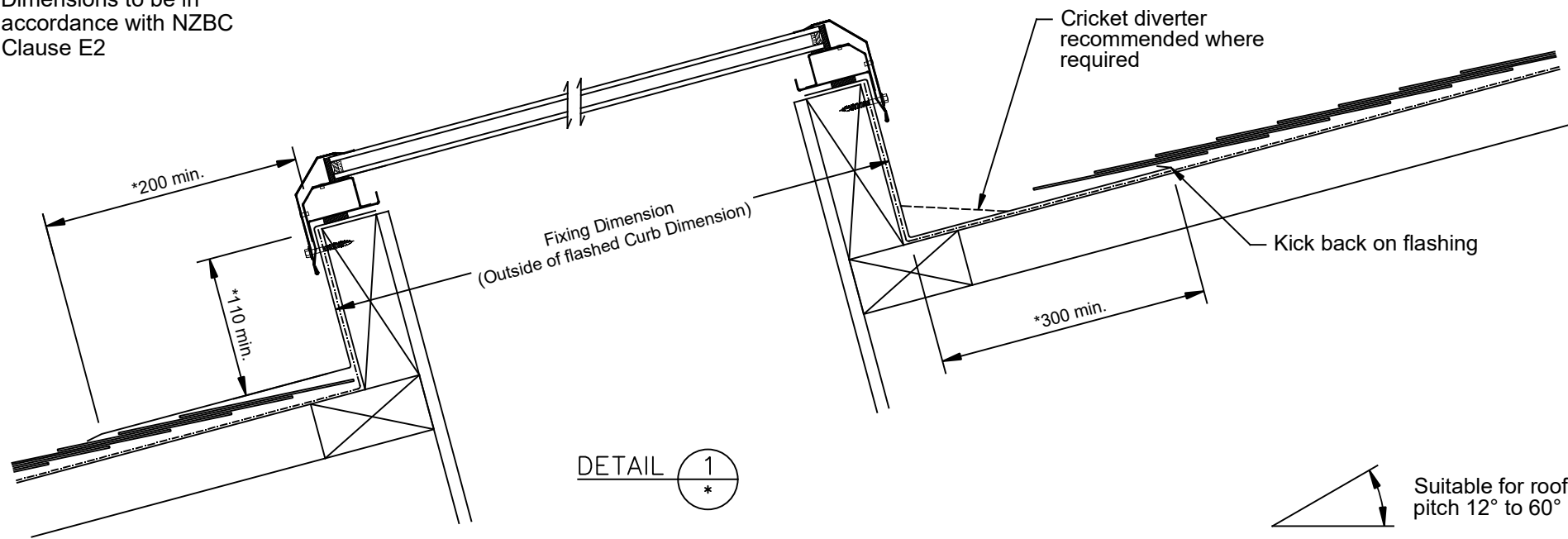
**ROOF WINDOW non-vent (Double Glazed)**  
**METAL ROOFING TILE**  
**PITCH 15° TO 60°**

DATE: 23/09/20

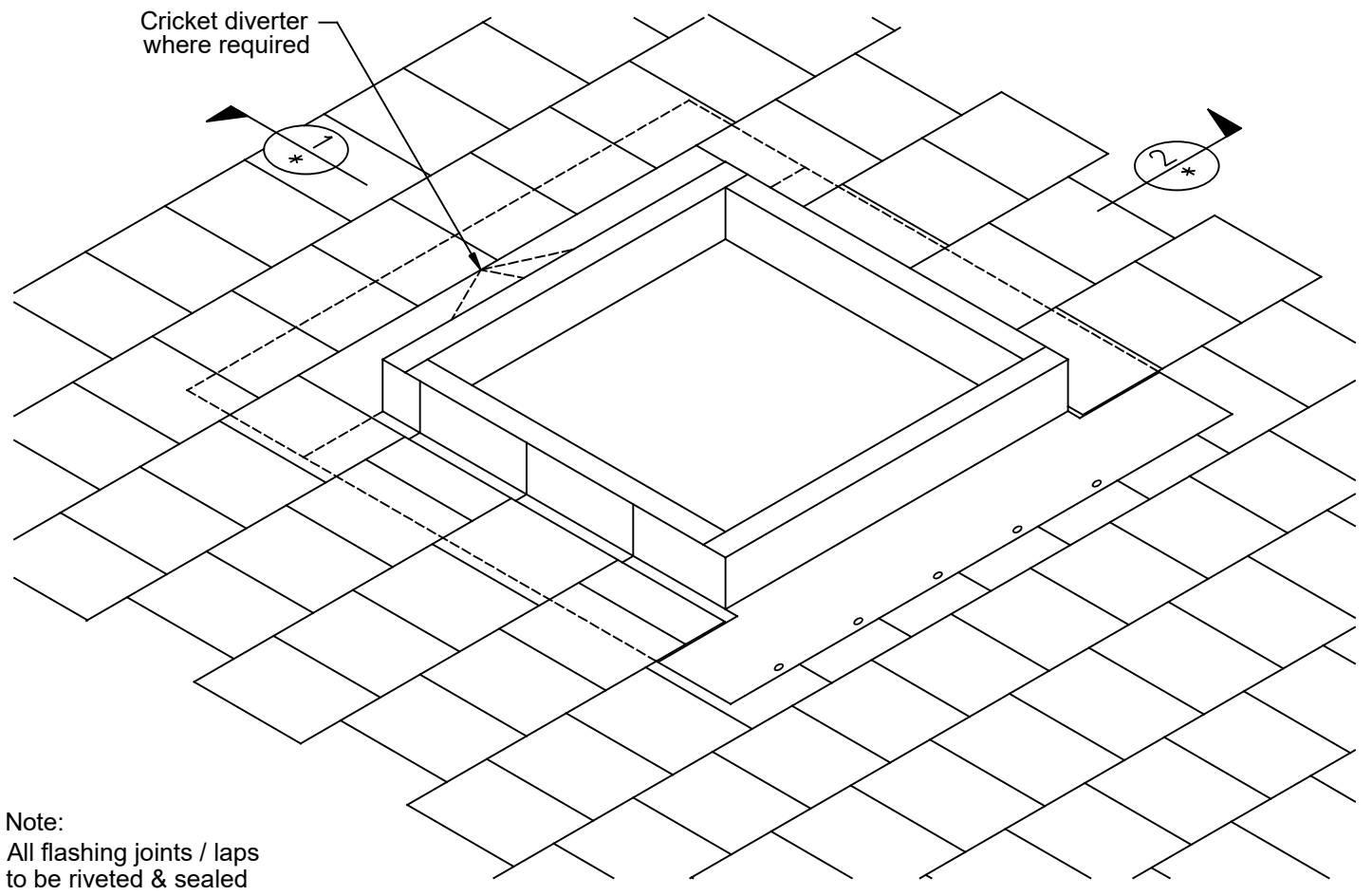
DWG No: RW-MT



\* Dimensions to be in accordance with NZBC Clause E2



Roof Window (non-vent)			
Model No.	Daylight Dimension (mm)	Fixing Dimension (mm)	Overall Dimension (mm)
RW77	580 x 580	680 x 680	705 x 705
RW86	625 x 475	725 x 575	750 x 600
RW99	785 x 785	885 x 885	910 x 910
RW106	905 x 475	1005 x 575	1030 x 600
RW107	905 x 580	1005 x 608	1030 x 705
RW108	905 x 705	1005 x 805	1030 x 830
RW128	1105 x 705	1205 x 805	1230 x 830
RW137	1190 x 580	1290 x 680	1315 x 705
RW139	1190 x 785	1290 x 885	1315 x 910
RW148	1325 x 705	1425 x 805	1450 x 830
RW197	1785 x 580	1885 x 680	1910 x 705
RW1010	905 x 905	1005 x 1005	1030 x 1030
RW1212	1105 x 1065	1205 x 1165	1230 x 1190
RW1313	1190 x 1190	1290 x 1290	1315 x 1315
RW1412	1325 x 1065	1425 x 1165	1450 x 1190



Not to scale, do not scale from drawing. All details are generic in nature and should be read in conjunction with the roofing manufacturers' standard penetration details.



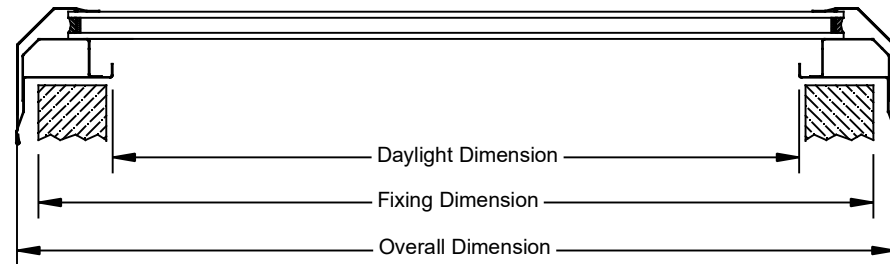
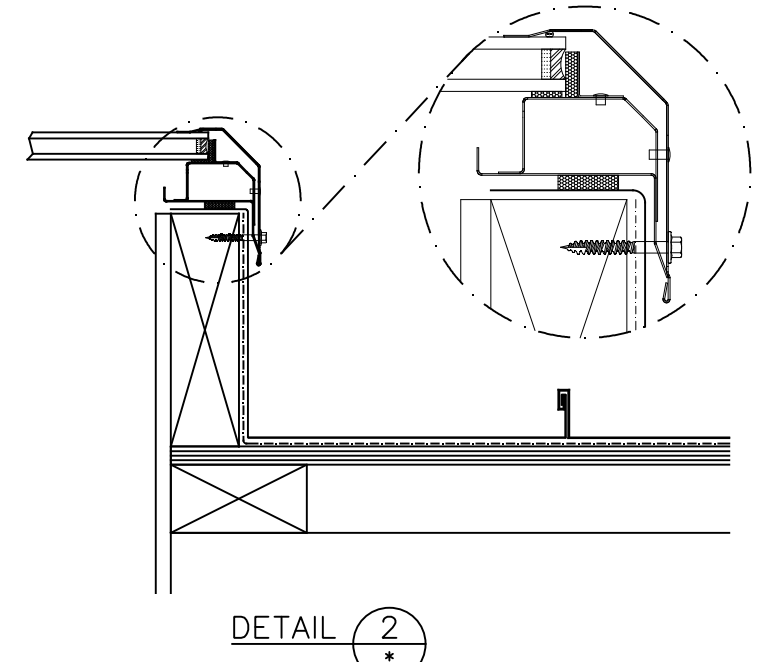
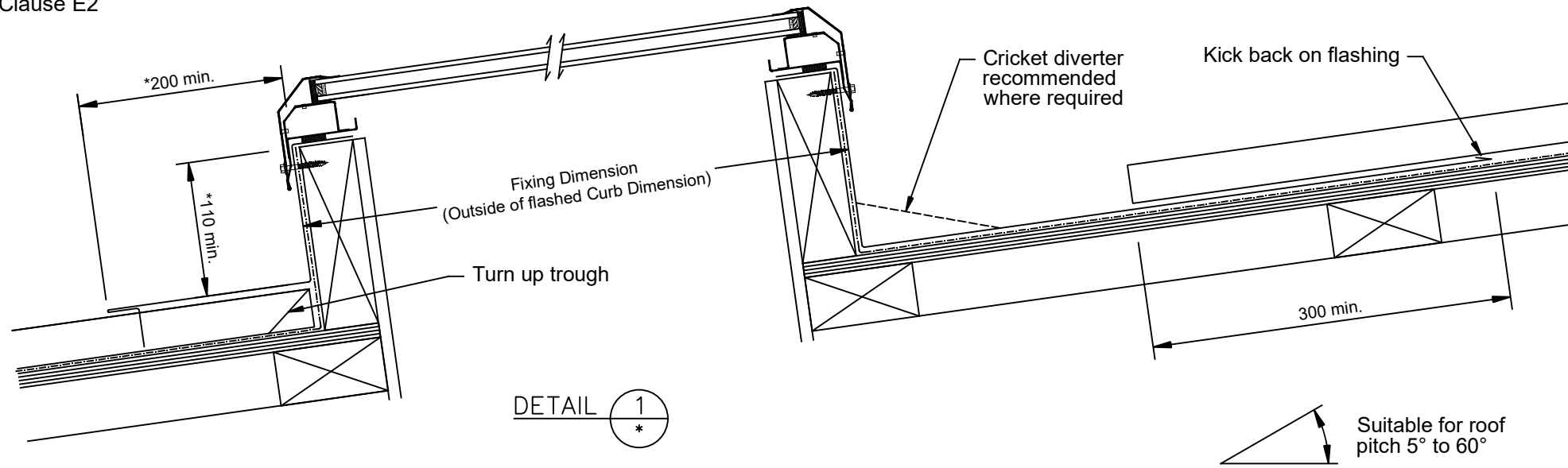
ADLUX Industries Ltd. ©  
 36 Olive Road, Penrose  
 P.O. Box 13866, Auckland  
 New Zealand.  
 Ph: (09) 636 6866  
 Fax: (09) 636 6846  
 Email: sales@adlux.co.nz

**ROOF WINDOW non-vent (Double Glazed)**  
**SLATE / SHINGLE ROOFING TILE**  
**PITCH 12° TO 60°**

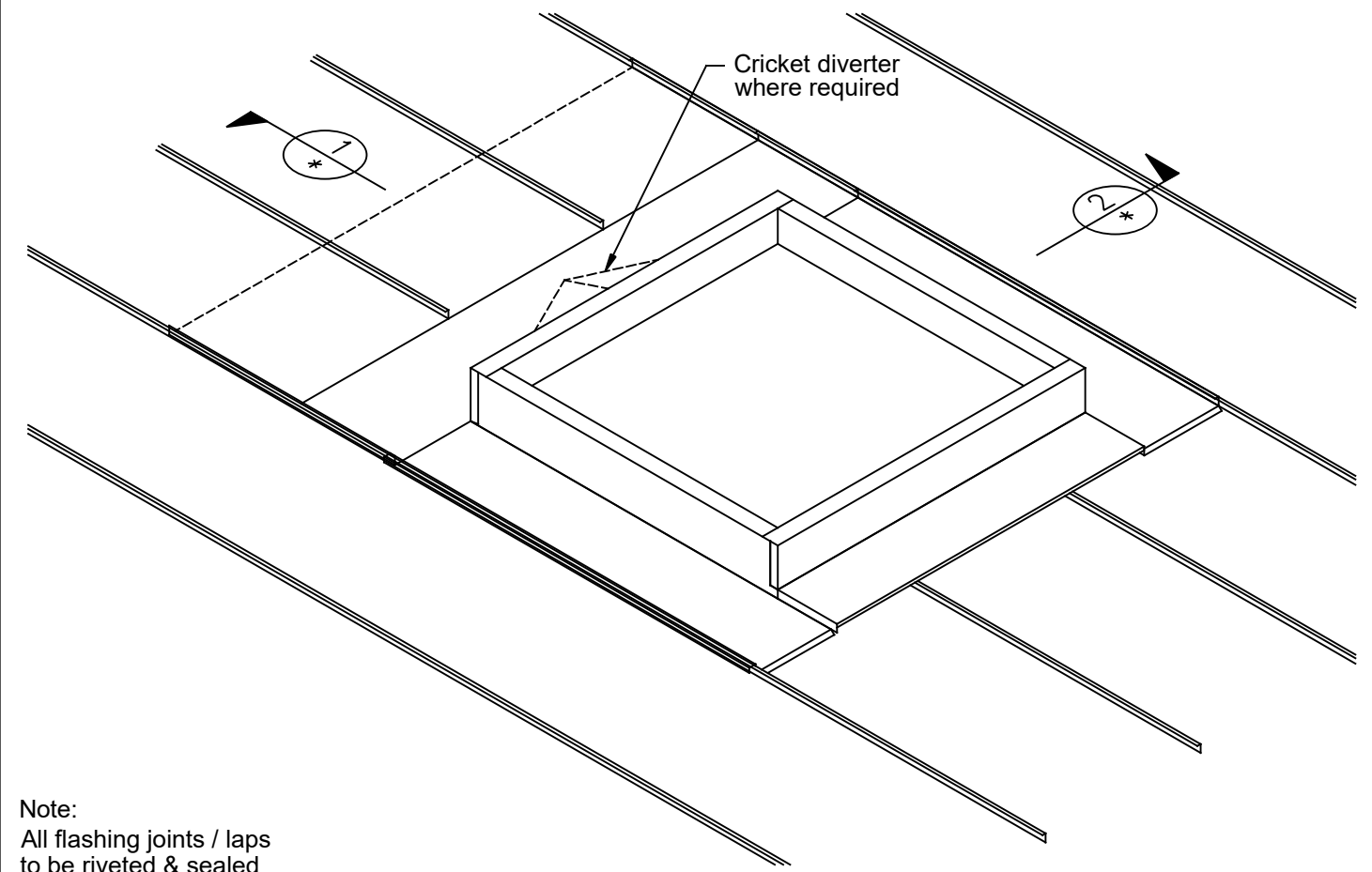
DATE: 23/09/20

DWG No: RW-SL/SH

\* Dimensions to be in accordance with NZBC Clause E2



Roof Window (non-vent)			
Model No.	Daylight Dimension (mm)	Fixing Dimension (mm)	Overall Dimension (mm)
RW77	580 x 580	680 x 680	705 x 705
RW86	625 x 475	725 x 575	750 x 600
RW99	785 x 785	885 x 885	910 x 910
RW106	905 x 475	1005 x 575	1030 x 600
RW107	905 x 580	1005 x 608	1030 x 705
RW108	905 x 705	1005 x 805	1030 x 830
RW128	1105 x 705	1205 x 805	1230 x 830
RW137	1190 x 580	1290 x 680	1315 x 705
RW139	1190 x 785	1290 x 885	1315 x 910
RW148	1325 x 705	1425 x 805	1450 x 830
RW197	1785 x 580	1885 x 680	1910 x 705
RW1010	905 x 905	1005 x 1005	1030 x 1030
RW1212	1105 x 1065	1205 x 1165	1230 x 1190
RW1313	1190 x 1190	1290 x 1290	1315 x 1315
RW1412	1325 x 1065	1425 x 1165	1450 x 1190



Not to scale, do not scale from drawing. All details are generic in nature and should be read in conjunction with the roofing manufacturers' standard penetration details.



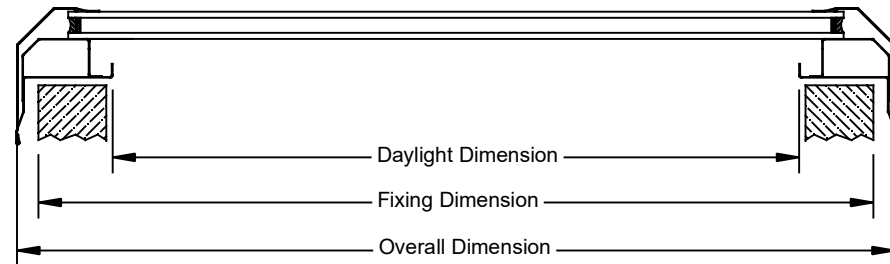
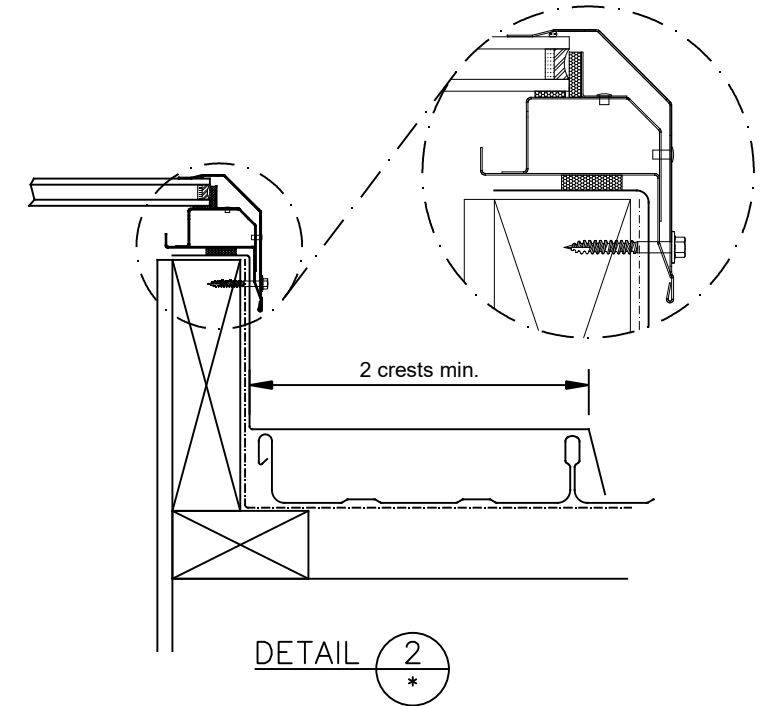
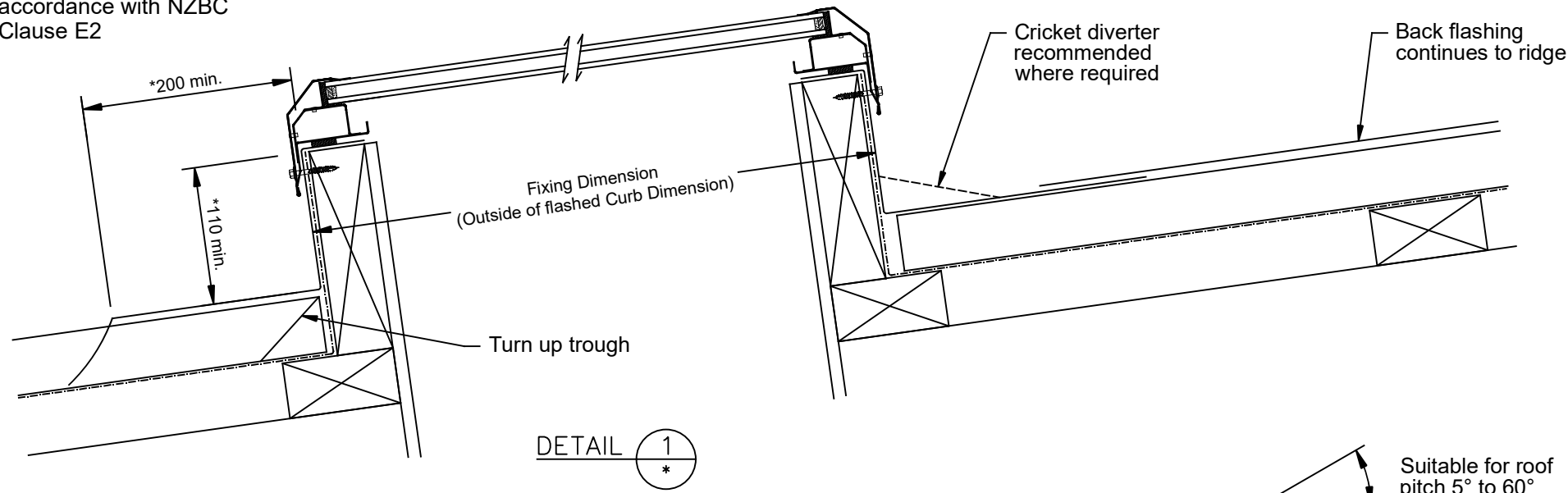
ADLUX Industries Ltd. ©  
 36 Olive Road, Penrose  
 P.O. Box 13866, Auckland  
 New Zealand.  
 Ph: (09) 636 6866  
 Fax: (09) 636 6846  
 Email: sales@adlux.co.nz

**ROOF WINDOW non-vent (Double Glazed)  
 STANDING SEAM ROOFING PROFILE  
 PITCH 5° TO 60°**

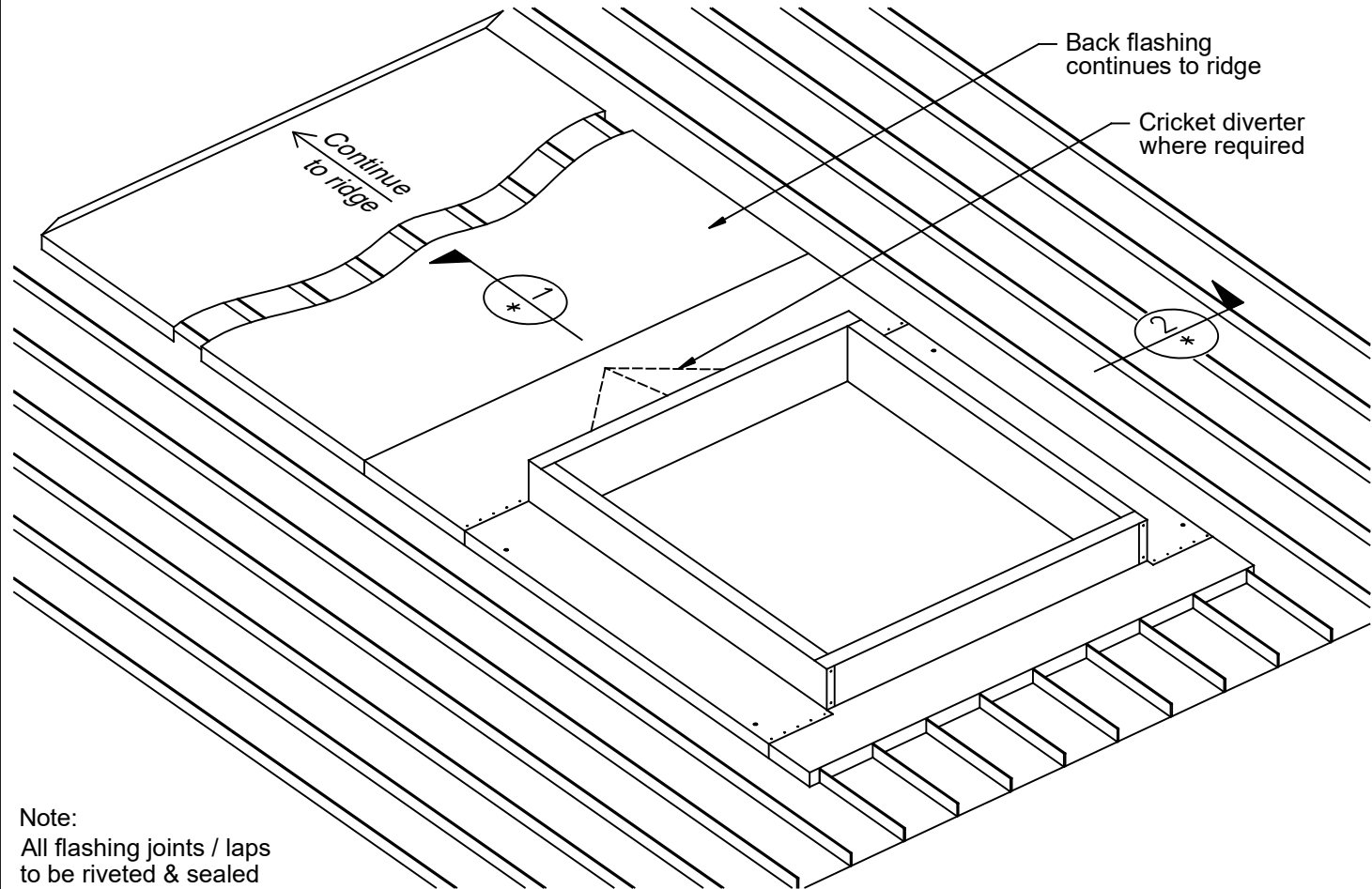
DATE: 23/09/20

DWG No: RW-SS

\* Dimensions to be in accordance with NZBC Clause E2



Roof Window (non-vent)			
Model No.	Daylight Dimension (mm)	Fixing Dimension (mm)	Overall Dimension (mm)
RW77	580 x 580	680 x 680	705 x 705
RW86	625 x 475	725 x 575	750 x 600
RW99	785 x 785	885 x 885	910 x 910
RW106	905 x 475	1005 x 575	1030 x 600
RW107	905 x 580	1005 x 608	1030 x 705
RW108	905 x 705	1005 x 805	1030 x 830
RW128	1105 x 705	1205 x 805	1230 x 830
RW137	1190 x 580	1290 x 680	1315 x 705
RW139	1190 x 785	1290 x 885	1315 x 910
RW148	1325 x 705	1425 x 805	1450 x 830
RW197	1785 x 580	1885 x 680	1910 x 705
RW1010	905 x 905	1005 x 1005	1030 x 1030
RW1212	1105 x 1065	1205 x 1165	1230 x 1190
RW1313	1190 x 1190	1290 x 1290	1315 x 1315
RW1412	1325 x 1065	1425 x 1165	1450 x 1190



Note:  
All flashing joints / laps to be riveted & sealed

Not to scale, do not scale from drawing. All details are generic in nature and should be read in conjunction with the roofing manufacturers' standard penetration details.



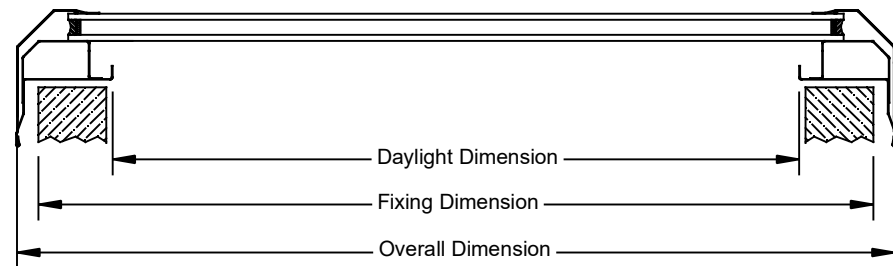
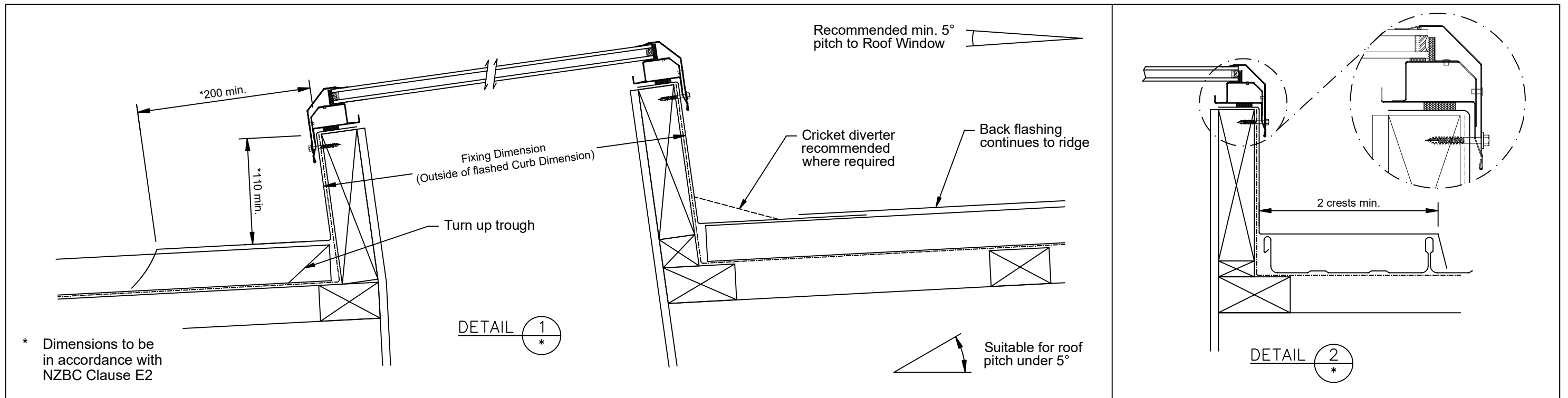
ADLUX Industries Ltd. ©  
36 Olive Road, Penrose  
P.O. Box 13866, Auckland  
New Zealand.  
Ph: (09) 636 6866  
Fax: (09) 636 6846  
Email: sales@adlux.co.nz

## ROOF WINDOW non-vent (Double Glazed) TROUGH SECTION PROFILE (Back Tray) PITCH 5° TO 60°

DATE: 23/09/20

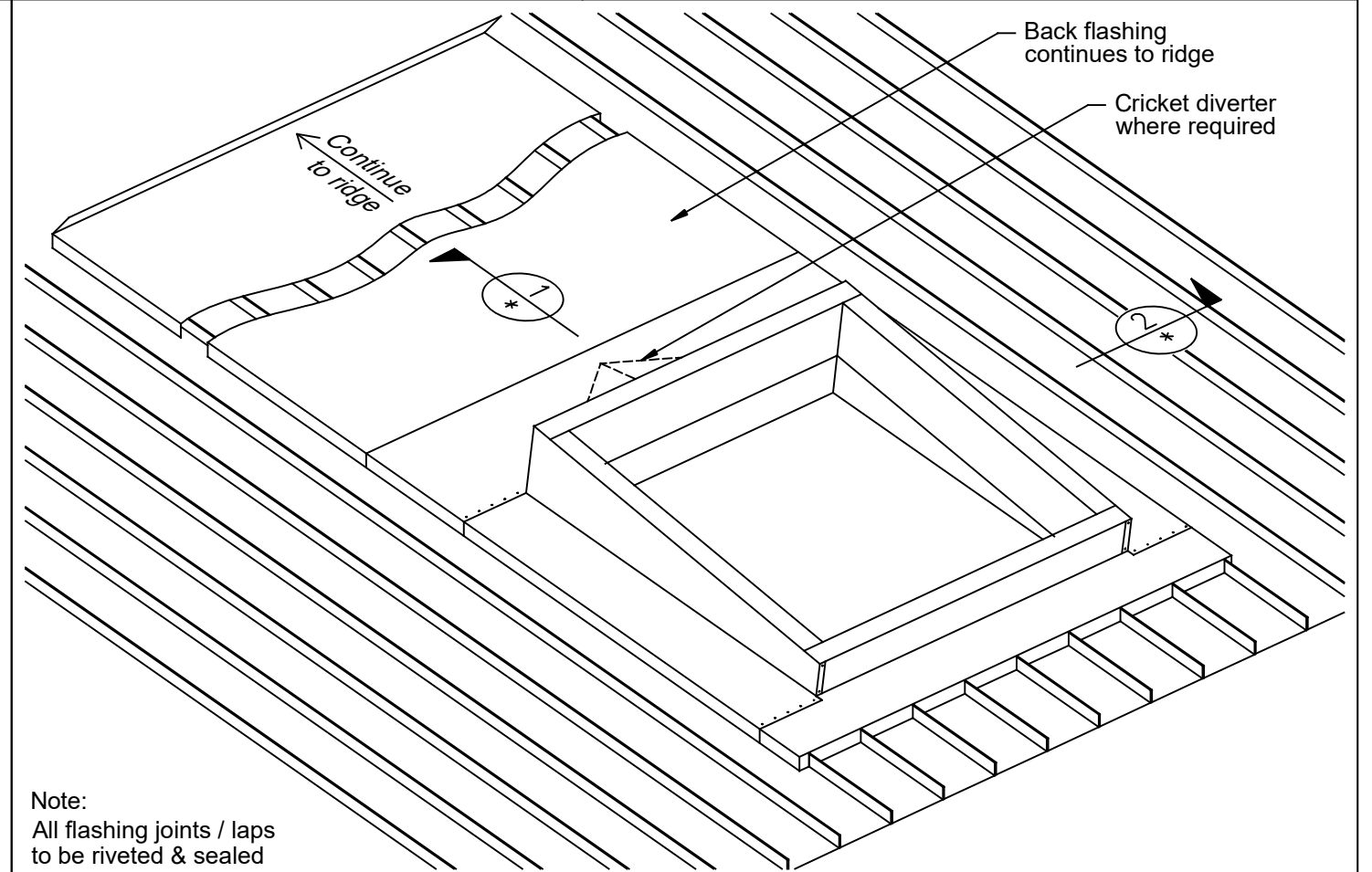
DWG No: RW-TR-BT





Roof Window (non-vent)			
Model No.	Daylight Dimension (mm)	Fixing Dimension (mm)	Overall Dimension (mm)
<b>RW77</b>	580 x 580	680 x 680	705 x 705
<b>RW86</b>	625 x 475	725 x 575	750 x 600
<b>RW99</b>	785 x 785	885 x 885	910 x 910
<b>RW106</b>	905 x 475	1005 x 575	1030 x 600
<b>RW107</b>	905 x 580	1005 x 608	1030 x 705
<b>RW108</b>	905 x 705	1005 x 805	1030 x 830
<b>RW128</b>	1105 x 705	1205 x 805	1230 x 830
<b>RW137</b>	1190 x 580	1290 x 680	1315 x 705
<b>RW139</b>	1190 x 785	1290 x 885	1315 x 910
<b>RW148</b>	1325 x 705	1425 x 805	1450 x 830
<b>RW197</b>	1785 x 580	1885 x 680	1910 x 705
<b>RW1010</b>	905 x 905	1005 x 1005	1030 x 1030
<b>RW1212</b>	1105 x 1065	1205 x 1165	1230 x 1190
<b>RW1313</b>	1190 x 1190	1290 x 1290	1315 x 1315
<b>RW1412</b>	1325 x 1065	1425 x 1165	1450 x 1190

Not to scale, do not scale from drawing. All details are generic in nature and should be read in conjunction with the roofing manufacturers' standard penetration details.



Note:  
All flashing joints / laps to be riveted & sealed

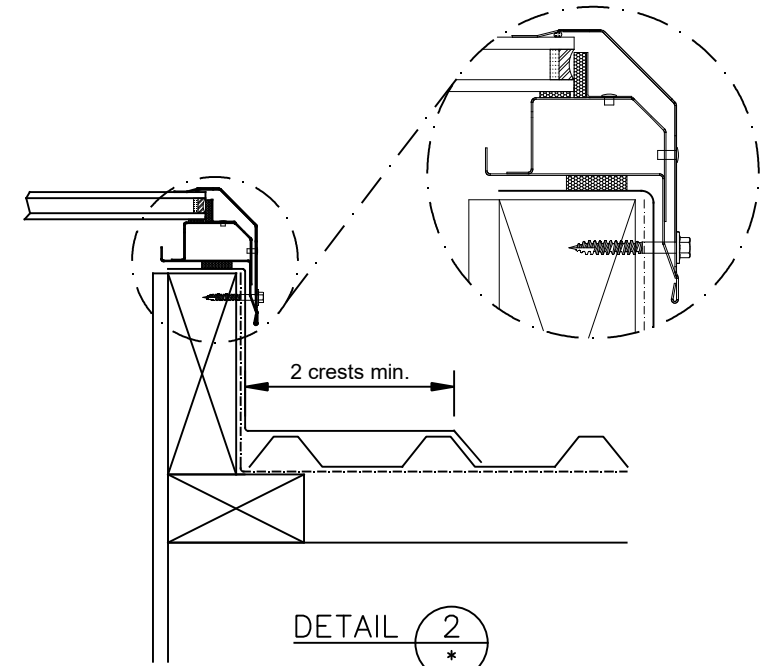
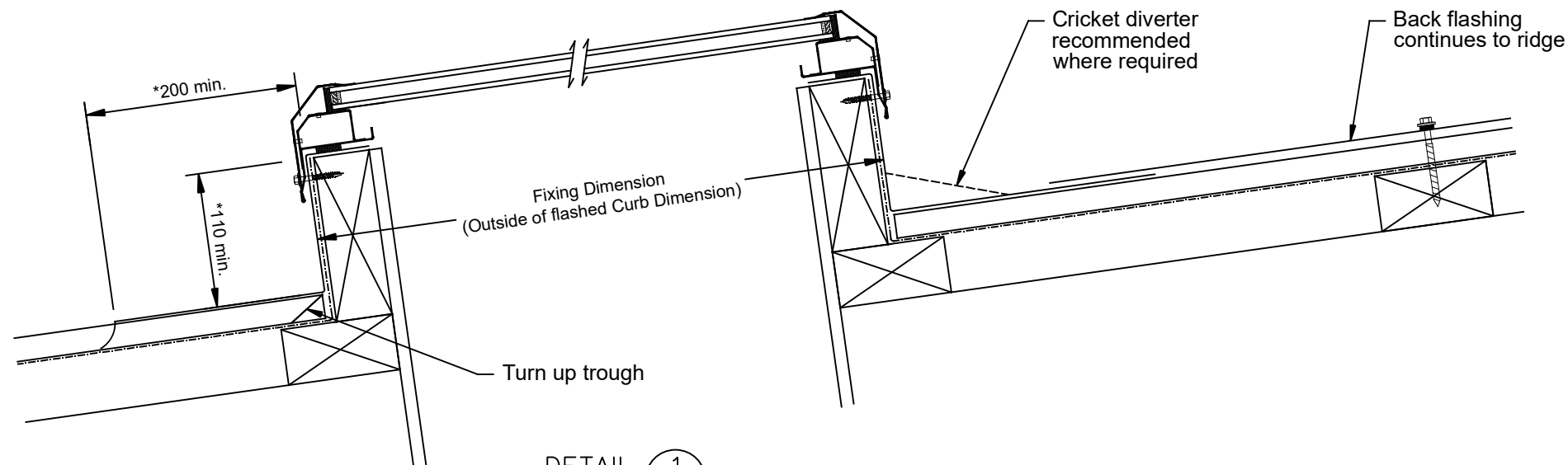


ADLUX Industries Ltd. ©  
36 Olive Road, Penrose  
P.O. Box 13866, Auckland  
New Zealand.  
Ph: (09) 636 6866  
Fax: (09) 636 6846  
Email: sales@adlux.co.nz

**ROOF WINDOW non-vent (Double Glazed)**  
**TROUGH SECTION PROFILE (Back Tray with Pitched Upstand)**  
For roofs less than 5°

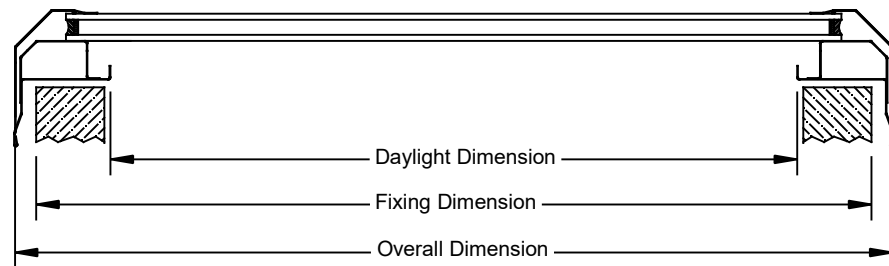
DATE: 23/09/20

DWG No: RW-TR-BT-PU

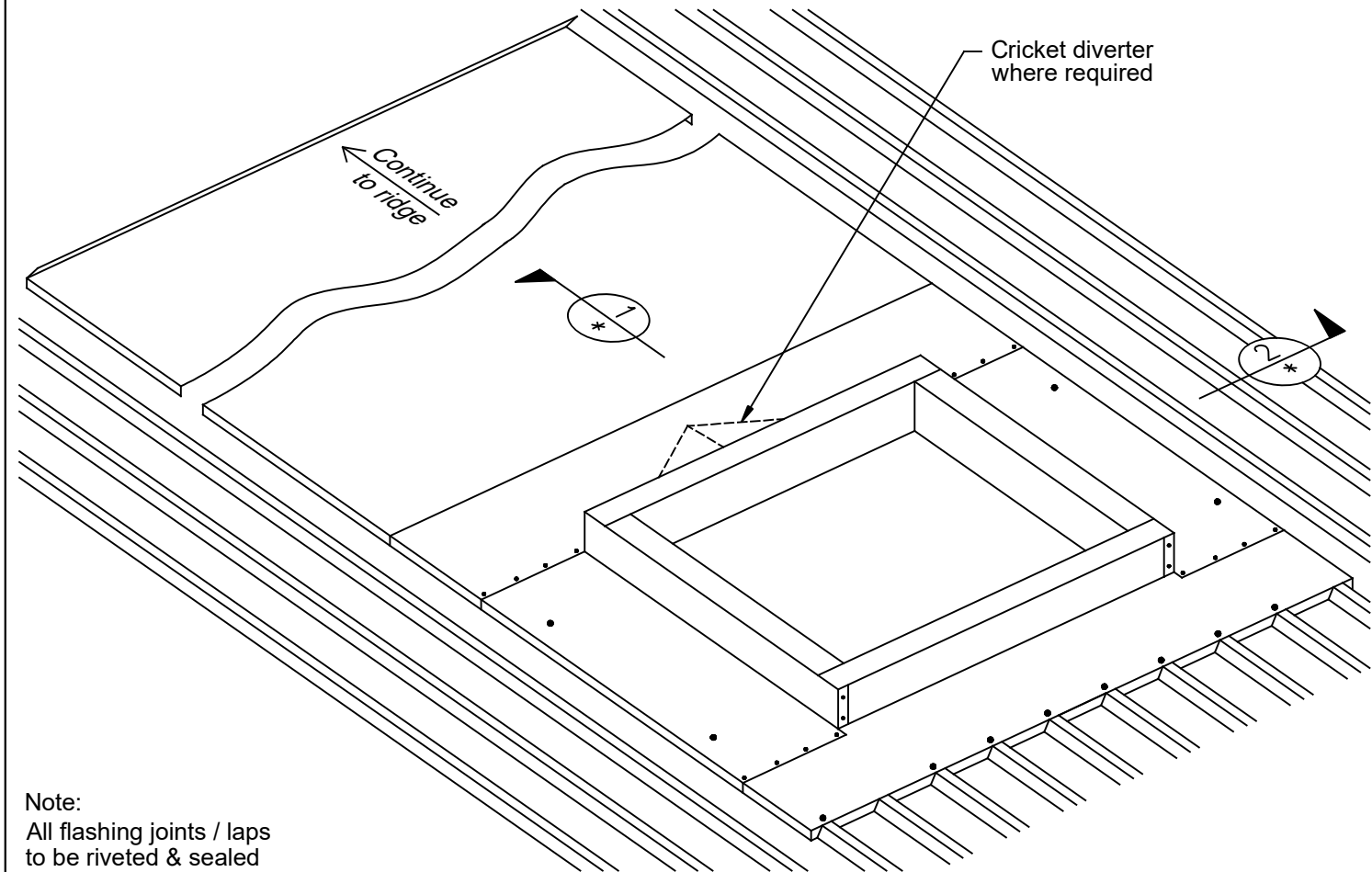


\* Dimensions to be in accordance with NZBC Clause E2

Suitable for roof pitch 5° to 60°



Roof Window (non-vent)			
Model No.	Daylight Dimension (mm)	Fixing Dimension (mm)	Overall Dimension (mm)
RW77	580 x 580	680 x 680	705 x 705
RW86	625 x 475	725 x 575	750 x 600
RW99	785 x 785	885 x 885	910 x 910
RW106	905 x 475	1005 x 575	1030 x 600
RW107	905 x 580	1005 x 608	1030 x 705
RW108	905 x 705	1005 x 805	1030 x 830
RW128	1105 x 705	1205 x 805	1230 x 830
RW137	1190 x 580	1290 x 680	1315 x 705
RW139	1190 x 785	1290 x 885	1315 x 910
RW148	1325 x 705	1425 x 805	1450 x 830
RW197	1785 x 580	1885 x 680	1910 x 705
RW1010	905 x 905	1005 x 1005	1030 x 1030
RW1212	1105 x 1065	1205 x 1165	1230 x 1190
RW1313	1190 x 1190	1290 x 1290	1315 x 1315
RW1412	1325 x 1065	1425 x 1165	1450 x 1190



Note:  
All flashing joints / laps to be riveted & sealed

Not to scale, do not scale from drawing. All details are generic in nature and should be read in conjunction with the roofing manufacturers' standard penetration details.



ADLUX Industries Ltd. ©  
36 Olive Road, Penrose  
P.O. Box 13866, Auckland  
New Zealand.  
Ph: (09) 636 6866  
Fax: (09) 636 6846  
Email: sales@adlux.co.nz

**ROOF WINDOW non-vent (Double Glazed)**  
**TRAPEZOID ROOFING PROFILE (Back Tray)**  
**PITCH 5° TO 60°**

DATE: 23/09/20

DWG No: RW-TZ-BT